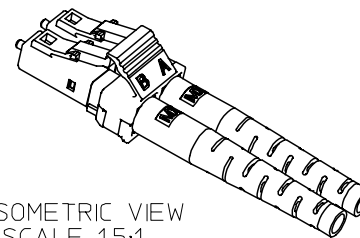
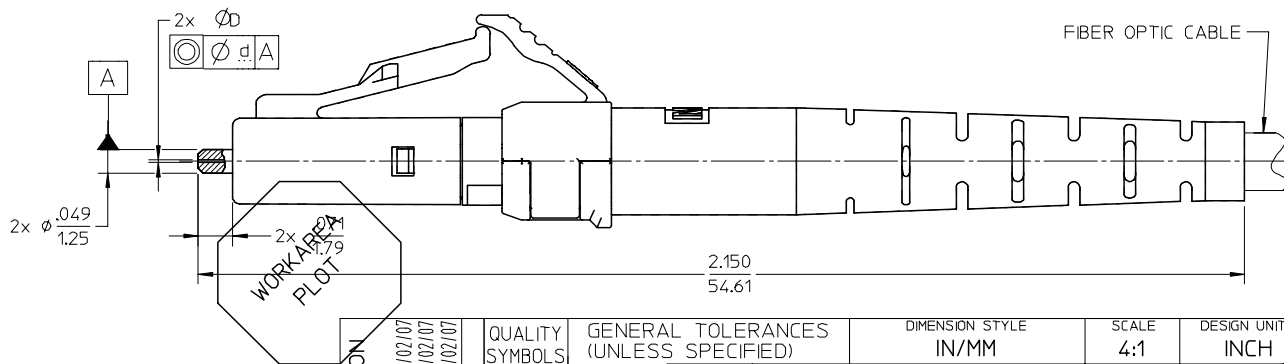
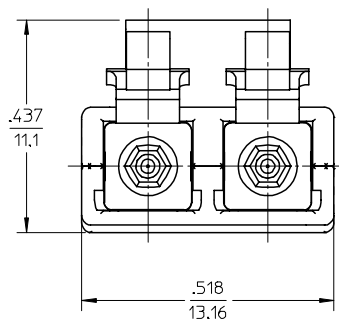
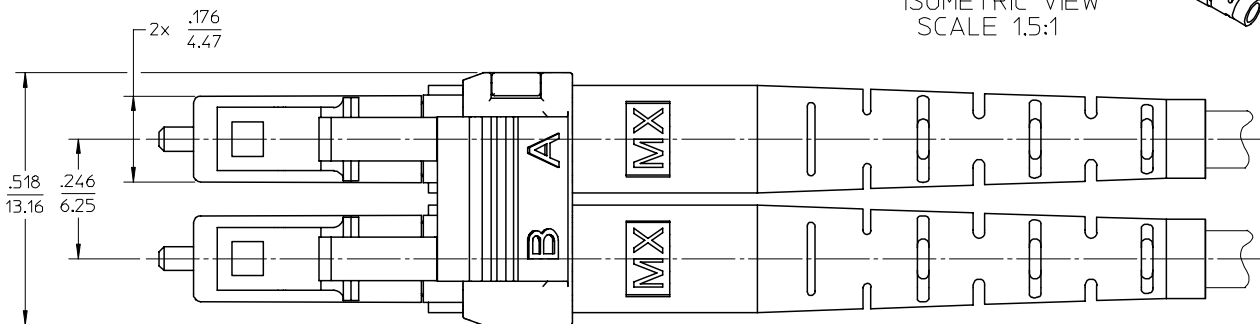


CONNECTOR P/N	ØD (Hm)	Ød (Hm)	DUPLEX CLIP COLOR	DUPLEX CLIP W/LATCH COLOR	CABLE TYPE
106025-2150	125.5 <sup>+0.5</sup> <sub>0</sub>	1	BLUE	BLUE	SINGLE MODE
106025-3150	127 <sup>+3</sup> <sub>0</sub>	3	BEIGE	BEIGE	MULTIMODE
106025-4150	125 <sup>+0.5</sup> <sub>0</sub>	1	BLUE	BLUE	SINGLE MODE
106025-5150	126 <sup>+1</sup> <sub>0</sub>				
106025-6150	125.25 <sup>+0.5</sup> <sub>0</sub>	0.5			
106025-8150	125.5 <sup>+0.5</sup> <sub>0</sub>				



ISOMETRIC VIEW  
SCALE 1.5:1



ENTER DESCRIPTION EC NO: MF2006-0323 DRW:PGIBLIN CHKD: APPR:IGUMIN 2006/02/07 2006/02/07 2006/02/07	QUALITY SYMBOLS ▽=0 ▽=0	GENERAL TOLERANCES (UNLESS SPECIFIED)		DIMENSION STYLE	SCALE	DESIGN UNITS	THIRD ANGLE PROJECTION	
		mm	INCH	IN/MM	4:1	INCH		
		4 PLACES ± --- ±.0002	3 PLACES ±0.005 ±.005	DRAWN BY	DATE	TITLE		
		2 PLACES ±0.13 ±.01	1 PLACE ±0.25 ± ---	PGIBLIN	2005/11/14	LC DUPLEX CONNECTOR W/ TWO PIECE CLIP 3.0MM CABLE APPLICATION		
		ANGULAR ±1/2°		CHECKED BY	DATE	MOLEX INCORPORATED		
		DRAFT WHERE APPLICABLE MUST REMAIN WITHIN DIMENSIONS		APPROVED BY	DATE	MATERIAL NO.	SHEET NO.	
				SEE TABLE		SD-106025-X1X0	1 OF 1	
		THIS DRAWING CONTAINS INFORMATION THAT IS PROPRIETARY TO MOLEX INCORPORATED AND SHOULD NOT BE USED WITHOUT WRITTEN PERMISSION						