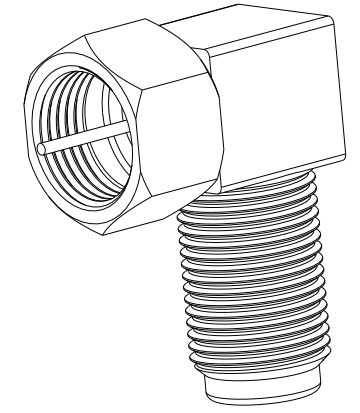
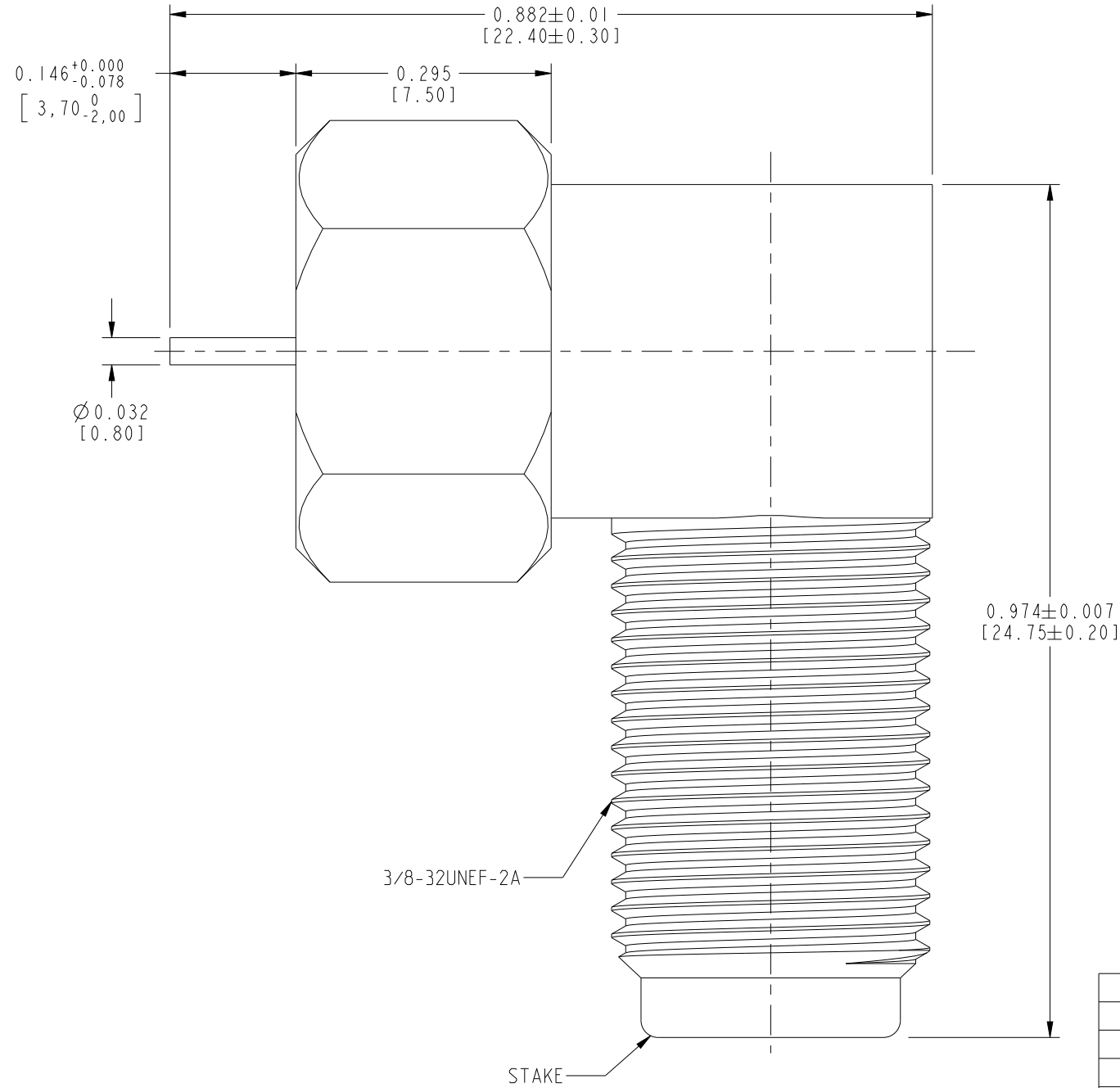
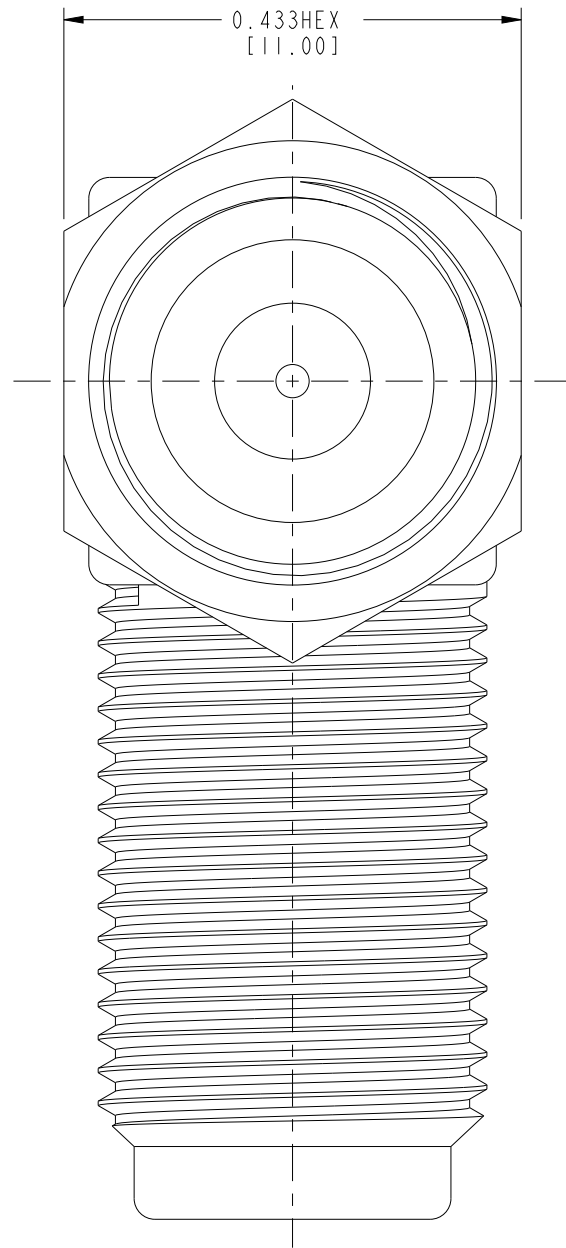


NOTE:

1. UNLESS OTHERWISE SPECIFIED, TOLERANCES ARE ± 0.004 [0.1 MM]
2. RETURN LOSS - 1GHz > 18dB, 2GHz > 12dB, 3GHz > 8dB
3. INSERTION LOSS - 1GHz < 0.2dB, 2GHz < 0.25dB, 3GHz < 0.9dB

| | | | | | |
|-------------------|-----|--------------------|-----------|------|------|
| 222F-90 | | REVISIONS | | | |
| DRAWING NO. | REV | DESCRIPTION | DATE | ECO | APPR |
| THIRD ANGLE PROJ. | A | RELEASE TO MFG. | 07-Sep-09 | -- | HR |
| | B | UPDATED DIMENSIONS | 02-Feb-12 | 2272 | CL |



SCALE 2.000

| | | | | |
|-------|-------------|-----------------|-----|--------|
| 7 | CAP | ALUMINUM | 1 | |
| 6 | HEX NUT | BRASS | 1 | NICKEL |
| 5 | CONTACT | PHOSPHOR BRONZE | 1 | TIN |
| 4 | BODY-REAR | ZINC | 1 | NICKEL |
| 3 | CONTACT PIN | BRASS | 1 | TIN |
| 2 | INSULATOR | DELTRIN | 1 | |
| 1 | BODY-FRONT | BRASS | 1 | NICKEL |
| S.NO. | DESCRIPTION | MATERIAL | QTY | FINISH |

| | | | | | | | |
|---|-------------------------|---------------------|-------------------|--|------------------------|---------------------------|----------|
| UNLESS OTHERWISE SPECIFIED, DIMENSIONS ARE IN INCHES AND TOLERANCES ARE: 2 PLACE DECIMAL ± 0.015 (0,381 mm) 3 PLACE DECIMAL ± 0.005 (0,127 mm) ANGLES $\pm 1^\circ$ | MATERIAL | DRAWN GOPI M | DATE 23-Jan-12 | TITLE F MALE TO FEMALE R/A ADAPTER | | Amphenol Connex | |
| | REFERENCE TASK - 847 | ENGINEER CLEMENT | DATE 07-Sep-09 | | | | |
| NOTICE - These drawings, specifications, or other data (1) are, and remain the property of Amphenol Corp. (2) must be returned upon request; and (3) are confidential and not to be disclosed to any person other than those to whom they are given by Amphenol Corp. The furnishing of these drawings, specifications, or other data by Amphenol Corp., or to any other person to anyone for any purpose is not to be regarded by implication or otherwise in any manner licensing, granting rights or permitting such holder or any other person to manufacture, use or sell any product, process or design, patented or otherwise, that may in any way be related to or disclosed by said drawings, specifications, or other data. | | APPROVED | DATE | DWG SIZE B | DRAWING NO. 222F-90 | SCALE: 5.5:1 SHEET 1 OF 1 | |
| | | CAD FILE | | | | | REV B |