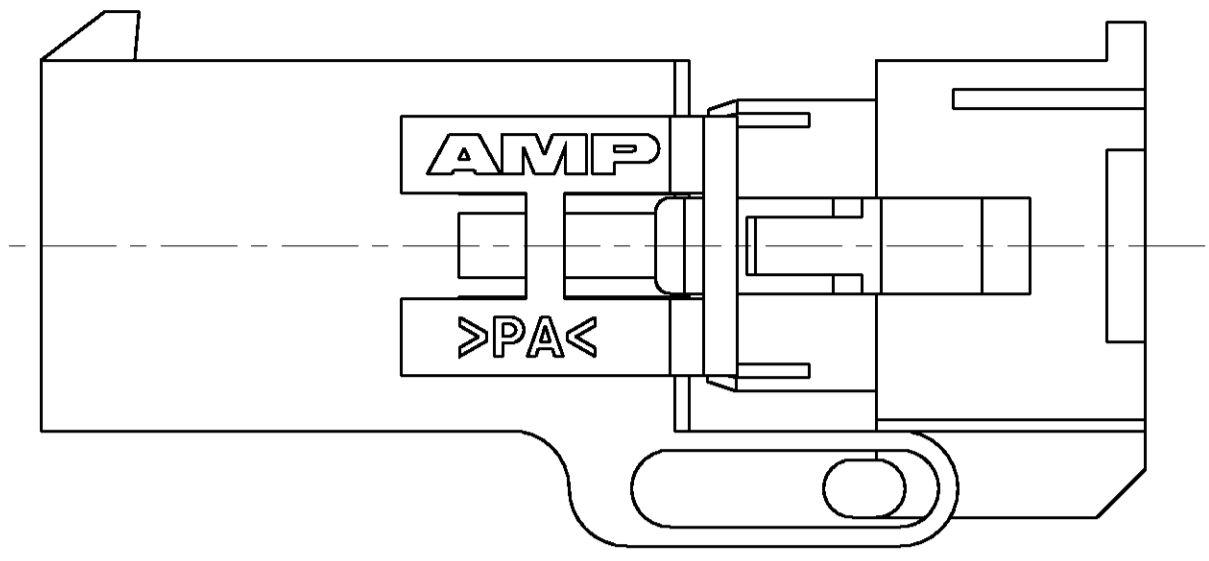
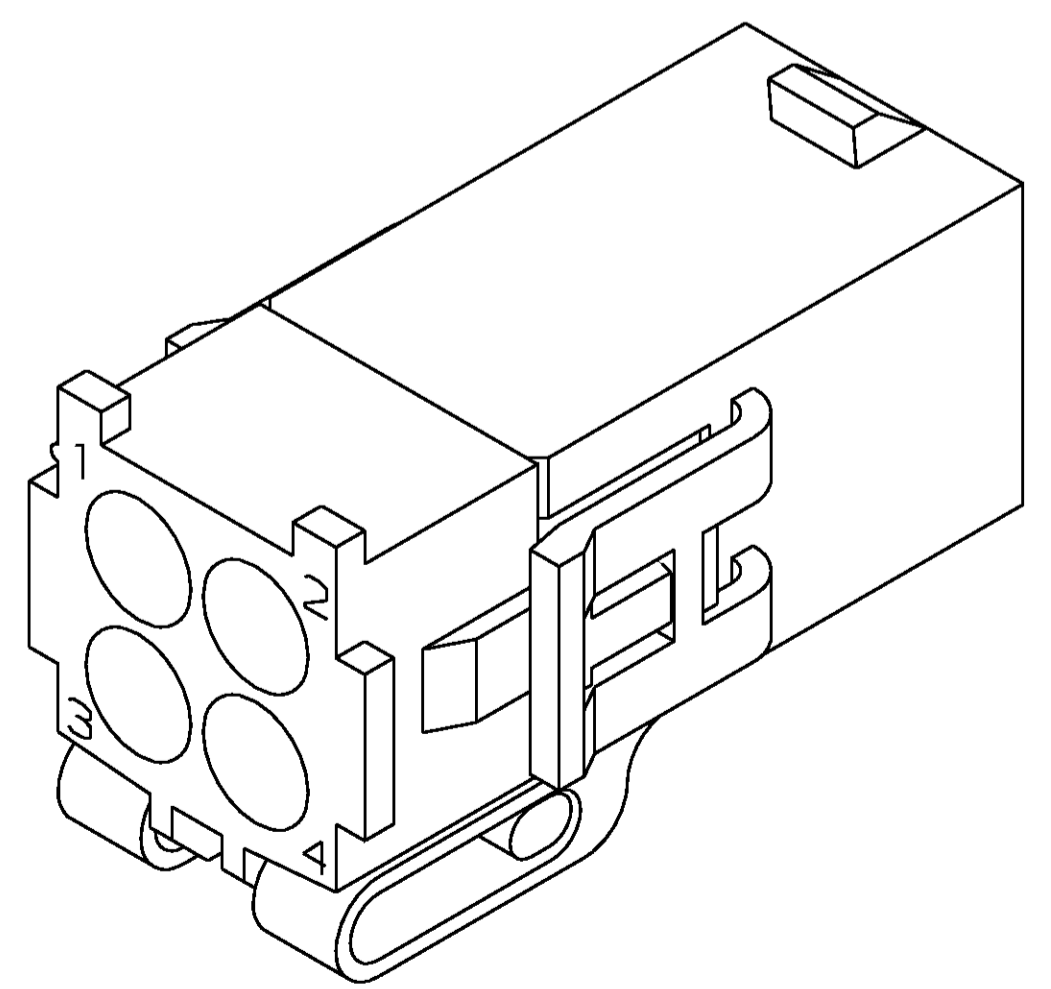
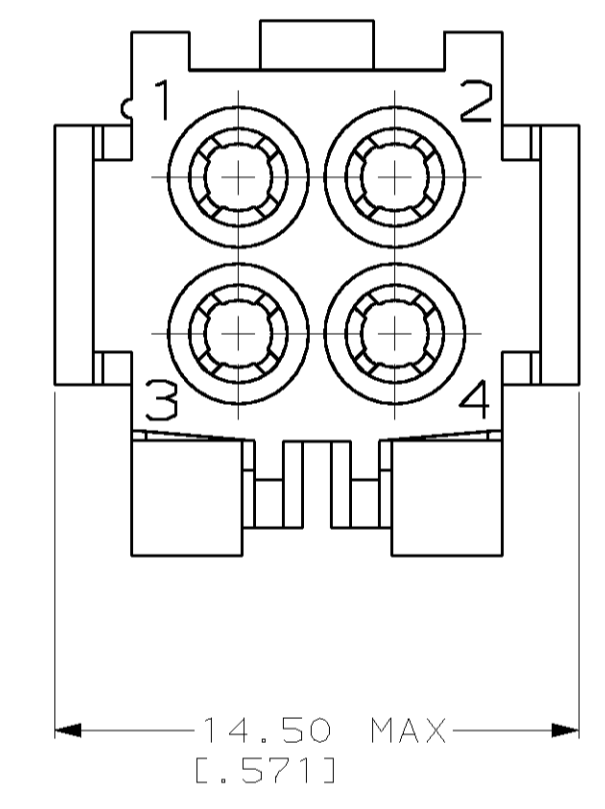
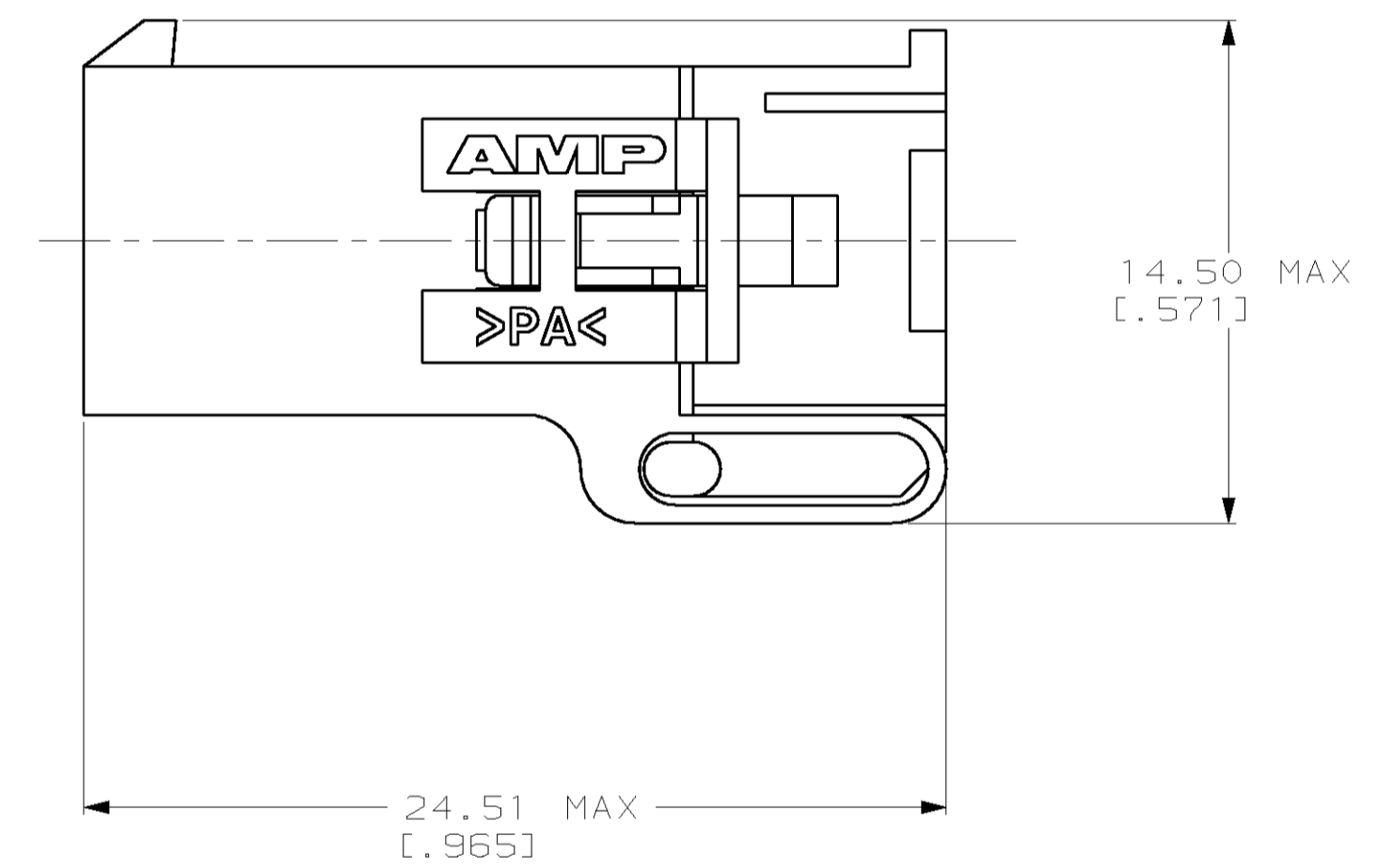
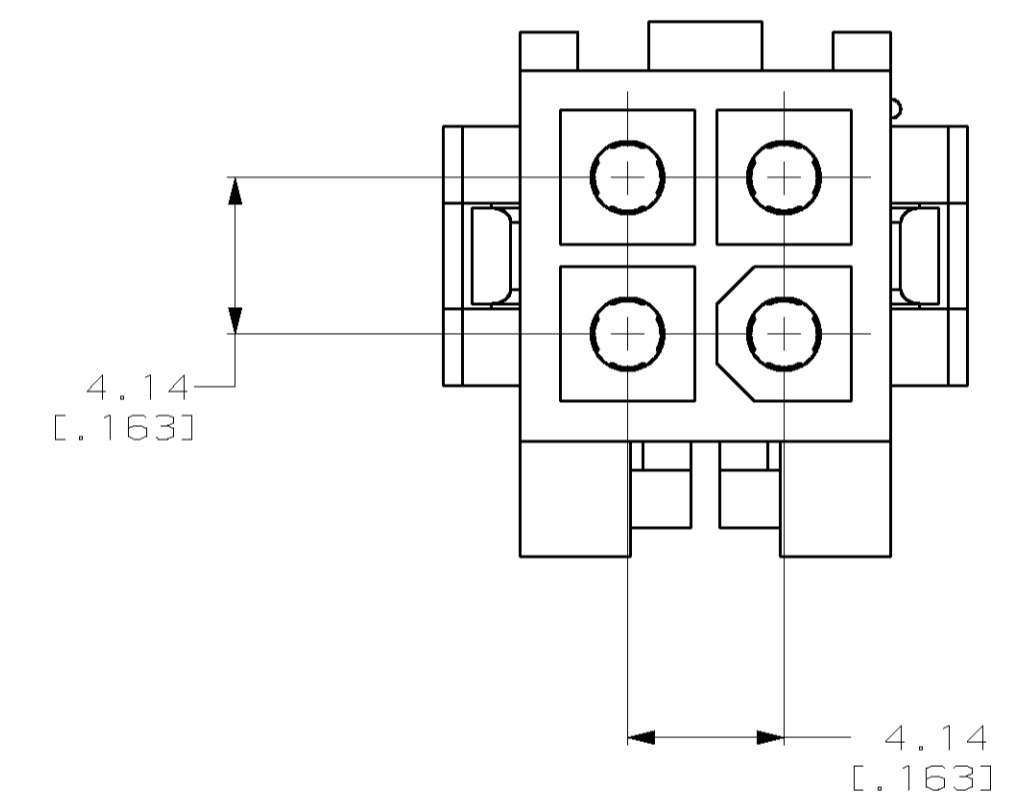


LOC		DIST		REVISIONS			
CM	53	REV	LYR	DESCRIPTION	DATE	DWN	APVD
		C		REVISED PER EC 063B-0375-03	06-JUN-03	KW	CJ



PRE-STAGED CONDITION

1. DIMENSIONS IN BRACKETS ARE IN INCHES.



3-DIMENSIONAL MODEL
NTS

794189-1
PART NUMBER



THIS DRAWING IS A CONTROLLED DOCUMENT.		DWN K. WHITAKER 5-12-97	AMP Incorporated Harrisburg, PA 17105-3608
		DIR R. SWING 5-12-97	
		APP'D E. ORSTAD 5-12-97	NAME CAP, 4 CIRCUIT, MINI UNIVERSAL MATE-N-LOK™ 2
DIMENSIONS:		PRODUCT SPEC	RESTRICTED TO
mm	TOLERANCES UNLESS OTHERWISE SPECIFIED:	APPLICATION SPEC	SIZE CAGE CODE DRAWING NO
	0 PLC ±.01		A1 00779 C-794189
	1 PLC ±.01		SCALE 5:1 SHEET 1 OF 1 REV C
	2 PLC ±0.13 (0.005)		
	3 PLC ±.01		
	4 PLC ±.01		
	ANGLES	WEIGHT	
MATERIAL NYLON, UL 94V-0, NATURAL	FINISH	CUSTOMER DRAWING	