


SIGN	DATE	DESCRIPTION	APPROVER
		<i>THIS IS CAD DRAWING, DO NOT REVISE MANUALLY!!!</i>	

- Material**
- Terminal body
  - (metal housing): Brass(CuZn)
  - Terminal screw: Steel Zinc plating "--" slot type
  - Wire guard: Stainless steel
  - Surface of solder tail: Tin plated
  - Insulator (housing): Thermoplastic (UL94V-0)

- Electrical**
- Voltage rating: 300VAC
  - Current rating: 15A
  - Wire range:
    - Solid wire(AWG): 14-24
    - Stranded wire(AWG): 14-24
  - Torque(Lb-In): 3.2Lb-in
  - Screw: M2.6
  - Wire strip length: 5-6mm
  - Withstanding Voltage: 1.6KV
  - Operating temperature: -30°C to +105°C
  - Soldering temperature: 250°C±10°C/5 Sec
  - Safety Approval: 

RoHS Compliant

PART NUMBER:

OSTT9XX2180

No. of Poles

02: 2 Poles

03: 3 Poles

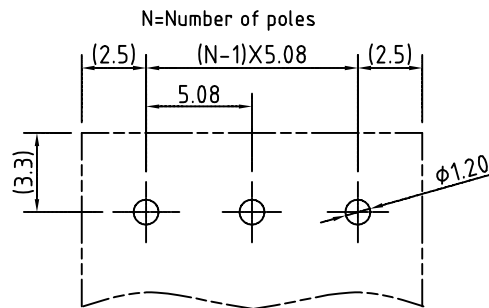
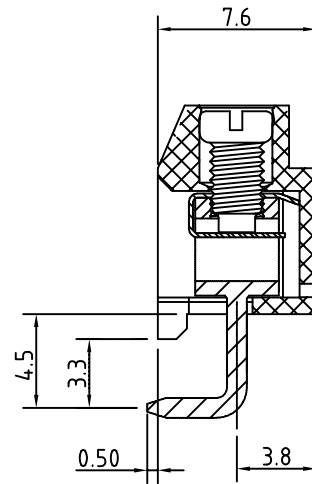
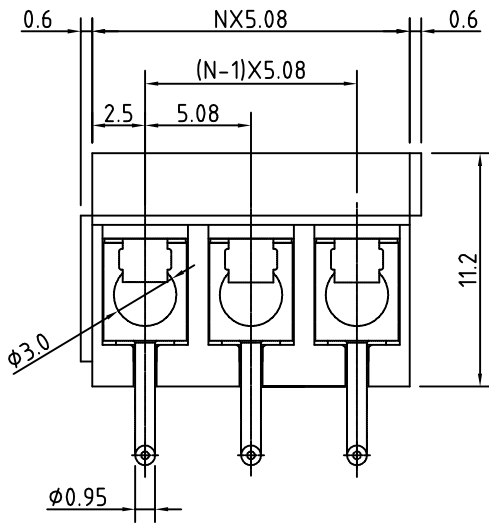
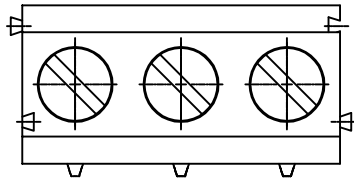
...

24 24 Poles

COLOR

5: Green

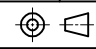
8: Grey (Standard)



N=Number of poles

THESE DRAWINGS AND SPECIFICATIONS ARE THE PROPERTY OF ON-SHORE TECHNOLOGY, INC. AND SHALL NOT BE REPRODUCED, COPIED OR USED IN ANY MANNER WITHOUT THE PRIOR WRITTEN CONSENT OF ON-SHORE TECHNOLOGY, INC.



TITLE		OSTT9 - 5.08mm Series		DWG NO.		OSTT9XX2180.DWG	
PART NO.		OSTT9XX2180		CUST NO.			
APPROVED	CHECKED	DESIGNED	DRAWN			Tolerance	
Shi Jun 2006.10.19	Shi Jun 2006.10.19	xionghaitao 2006.10.19	xionghaitao 2006.10.19			UNIT: mm	X. ±0.50
				SHEET: 01/01		SCALE: NONE	X.X ±0.30
						REV: C	X.XX ±0.10
							X° ±1°