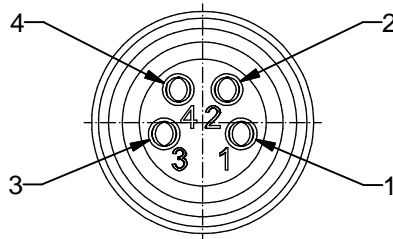


**Technical specification:**

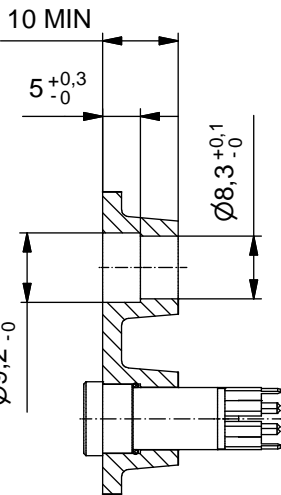
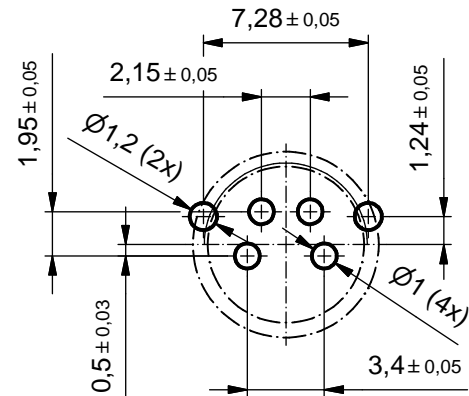
Rated voltage: IEC 61076-2-104	4pos 30 V
Current rating: IEC 61076-2-104	3 A at 40°C
Insulation resistance: IEC 60512	>=100 MΩ
Pollution degree: IEC 60664-1	3/2
Degree of protection: IEC 60529	IP 67, in mated condition
Temperature range: IEC 60664-1	-30°C ... +85°C
Mating cycles: IEC 60512-9a	>=100

**Materials:**

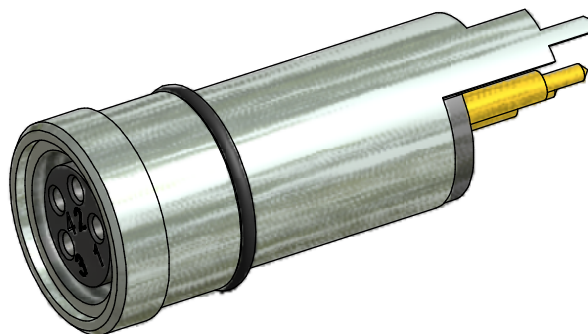
Contact:	CuZn
Contact plating:	Nickel, gold plated
Contact carrier:	TPU GF, UL 94
Screen bushing:	CuZn, nickel plated
Sealing:	NBR



Pin Layout PCB



Installation Hole



Part no:	Description:
42-01038	SAL - 8S - EKVM4 - P

DO NOT ALTER CAD DRAWING BY HAND Directive 2002/95/EC RoHS compliant	Index: a 11.03.11 Mkf Ä3938 Installation Hole added, data sheet modified	dim. in mm	title: <b>Female insert M8x1 axial print,          Standard, for splitter</b>									
	tolerance: ISO 2768-m	<table border="1"> <tr> <td></td> <td>date</td> <td>name</td> </tr> <tr> <td>drawn</td> <td>23.10.09</td> <td>Mankopf</td> </tr> <tr> <td>appd.</td> <td>23.10.09</td> <td>Fromm</td> </tr> </table>			date	name	drawn	23.10.09	Mankopf	appd.	23.10.09	Fromm
		date	name									
	drawn	23.10.09	Mankopf									
appd.	23.10.09	Fromm										
THIS DRAWING MAY NOT BE COPIED OR REPRODUCED IN ANY WAY, AND MAY NOT BE PASSED ON TO A THIRD PARTY WITHOUT WRITTEN PERMISSION. OWNERSHIP AND COPYRIGHT OF CONEC GmbH		part no: see table										