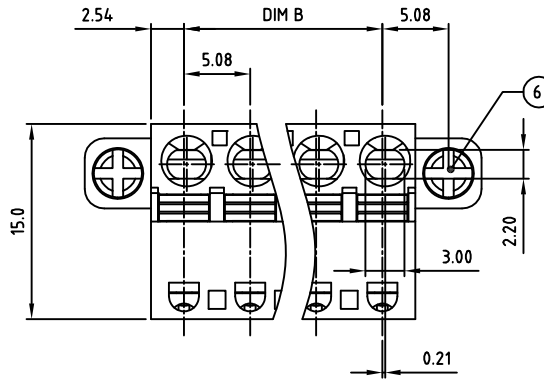
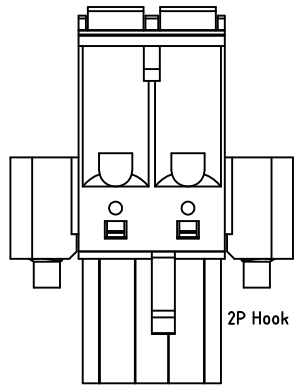


Transfer or duplication of this document as well as the utilisation or communication of its content are not permitted unless express consent is granted. Violations give rise to claims for damages. All rights reserved in case of patent, utility model or design patent registrations.



Technical data

1. Nominal voltage: 300V/10A
PITCH: 5.08mm
2. Connection capacity:
AWG 26-12
3. Insulation Withstanding Voltage:
AC 1600V/MIN
4. Insulation Resistance:
1000MΩ or more at DC500V
5. Stripping length: 8-9mm
6. Operating temperature range: -40°C ~ 115°C
7. Undimensioned Tolerances:

Dim.L=Px5.08		
Dim.B=(P-1)x5.08		
P= number of poles		
	Dim B	Dim L
0-30mm	±0.15	±0.20
over 30mm-60mm	±0.20	±0.25
over 60mm-90mm	±0.25	±0.30
over 90mm	±0.30	±0.40

8. Safety approval:

9. RoHS Compliance

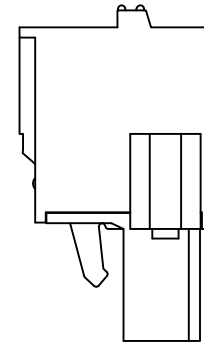
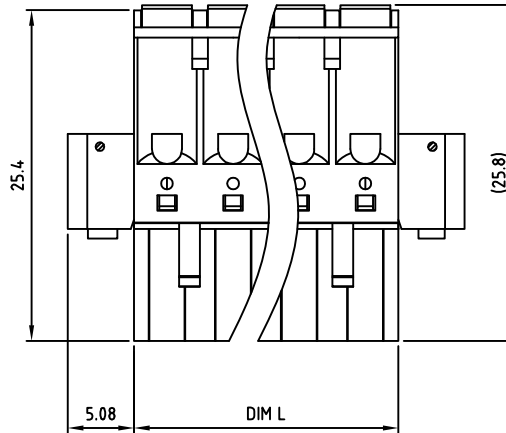
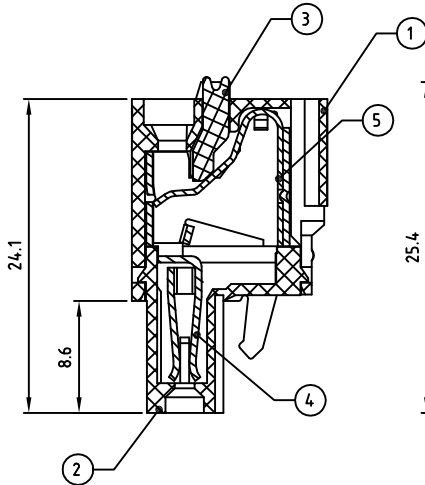
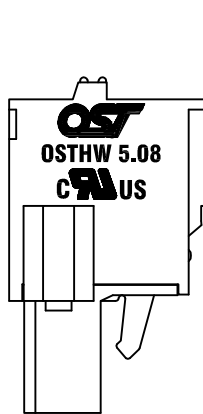
Part No.:

OSTHWXX5052

No. of Poles
02 2 Poles
03 3 Poles
... ..
24 24 Poles

COLOR
0: Black
2: Red
3: Orange
4: Yellow
5: Green (Standard)
6: Blue
8: Grey

Nonstandard colors
Mins could apply



6	FLANGE SCREW	STEEL +/- SLOT	M2.5 Zn PLATED	2
5	SPRING	Stainless steel		P
4	CONTACT	BRONZE (PhBz)	TIN PLATED	P
3	LEVEL	PBT UL94V-0	ORANGE RAL2011	P
2	COVER	PA66 UL94V-0	ALL COLOR	1
1	BODY	PA66 UL94V-0	ALL COLOR	1

ITEM	NAME OF PART	MATERIAL	NOTES	Q"TY
DWG	WF. Zhang	DATE 2017.12.18	UNITS: MM SHEET: 1 OF 1	Tolerance
CHK.	WF. Zhang	DATE 2017.12.18	SCALE: NONE 2.5:1 (:) REV: A	X. ±0.50
APP.		DATE	TITLE: OSTHW 5.08 Series W/Flange point down type	X.X ±0.30
			PART NO. OSTHWXX5052	X.XX ±0.10
			DWG NO. OSTHWXX5052.dwg	X° ±1°

SIGN	DESCRIPTION	CHK.	DATE



ON-SHORE TECHNOLOGY, INC.