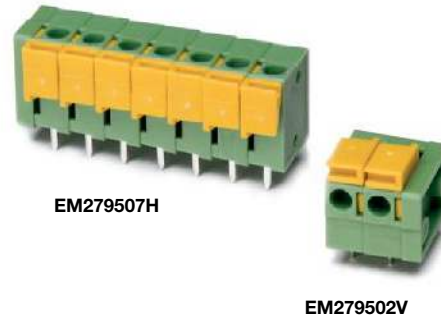


EM2795 Series
EuroMag Terminal Blocks
 Screwless; 5.08 Centers

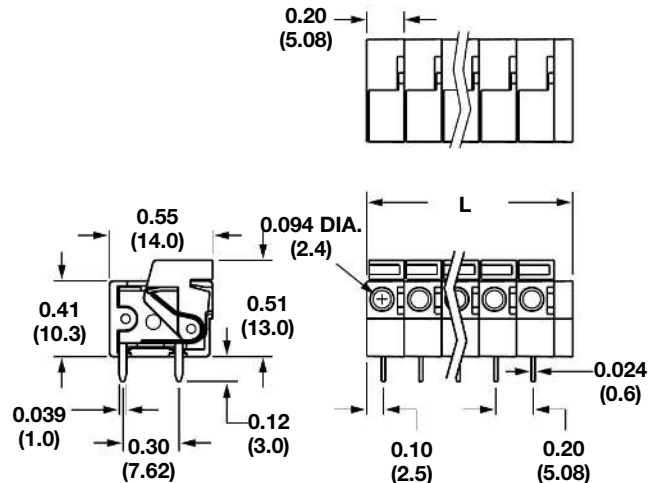
SPECIFICATIONS

Rating: 10A, 300V
Center Spacing: 0.20" (5.08mm)
Wire Range: #14-24 AWG
Housing Material: UL rated 94V0 Thermoplastic
Contact Material: Tin-Plated Brass
Operating Temperature: 105°C (221°F) max., -40°C (-40°F) min.
Recommended PCB Hole Diameters: 0.051" (1.30mm)
Construction: Mold-to-Length
Agency Information: File E62622; CE Certified

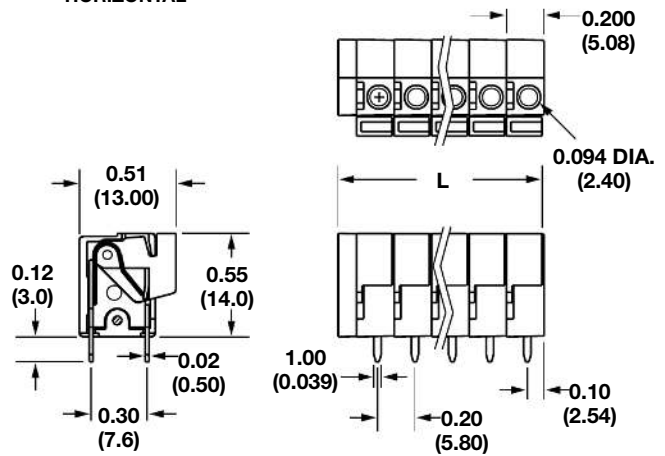


Dimensions - in (mm)

VERTICAL



HORIZONTAL



Poles	L (mm)	Poles	L (mm)
2	12.70	10	68.58
3	17.78	11	73.66
4	22.86	12	78.74
5	27.94	13	83.82
6	33.02	14	88.90
7	38.10	15	93.98
8	43.18	16	99.06
9	48.26		

To convert to inches, divide by 25.4

Part Numbering System

Series	# of Positions	Orientation
EM2795	<input type="checkbox"/> <input type="checkbox"/>	<input type="checkbox"/>
	02 to 16	H - horizontal V - vertical

Terminal Blocks:
Single Row

EuroMag Series
Screwless

Edge Connectors,
One-Sided Boards

Compliance
References