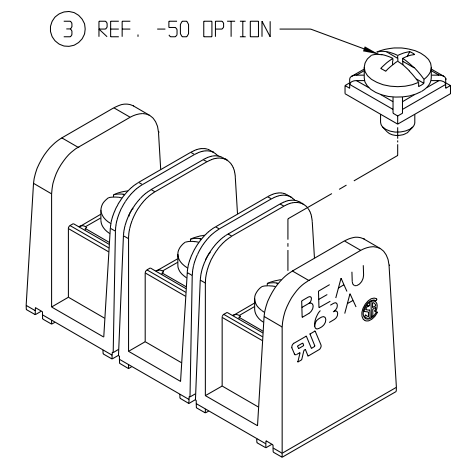
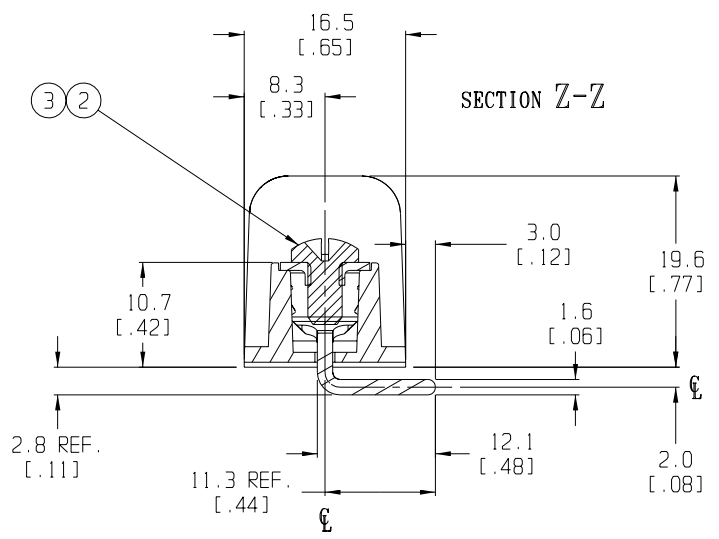
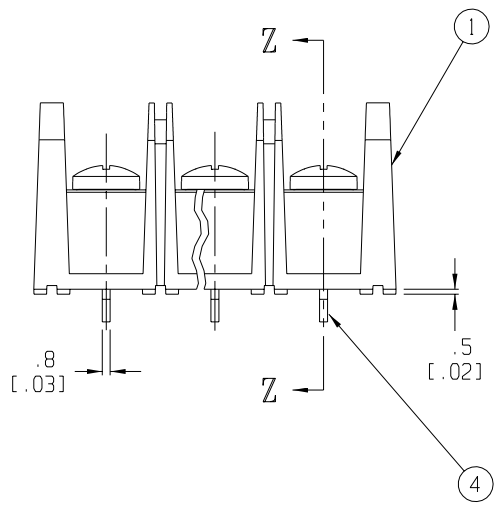
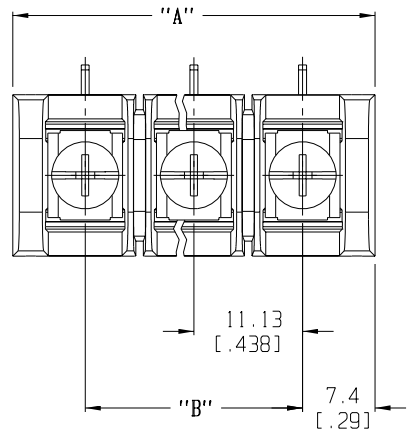


MATERIAL NUMBER (STD.)	MATERIAL NUMBER (-50)	NO. OF CIRCUITS	A	B
386315302	386315902	2	25.9 (1.02)	11.13 (.438)
386315303	386315903	3	37.1 (1.46)	22.22 (.875)
386315304	386315904	4	48.3 (1.90)	33.35 (1.313)
386315305	386315905	5	59.2 (2.33)	44.45 (1.750)
386315306	386315906	6	70.4 (2.77)	55.57 (2.188)
386315307	386315907	7	81.5 (3.21)	66.67 (2.625)
386315308	386315908	8	92.7 (3.65)	77.80 (3.063)
386315309	386315909	9	103.6 (4.08)	88.90 (3.500)
386315310	386315910	10	114.8 (4.52)	100.03 (3.938)
386315311	386315911	11	125.9 (4.96)	111.13 (4.375)
386315312	386315912	12	137.2 (5.40)	122.25 (4.813)
386315313	386315913	13	148.1 (5.83)	133.35 (5.250)
386315314	386315914	14	159.3 (6.27)	144.45 (5.687)
386315315	386315915	15	170.4 (6.71)	155.58 (6.125)
386315316	386315916	16	181.6 (7.15)	166.70 (6.563)

NOTES:

1. MATERIAL: SEE TABLE
2. FINISHES: SEE TABLE
3. PRODUCT SPECIFICATION: NOT REQUIRED
4. PACKAGING: NOT REQUIRED
5. MATES WITH: NONE
6. INCH DIMS ARE SHOWN IN PARENTHESIS (XXX)
7. "XX" REFERS TO QTY. OF CIRCUITS



ITEM	QTY.	DESCRIPTION	MATERIAL	FINISH
4	XX	TERMINAL, WIRE WRAP, LONG	BRASS	TIN PLATE
3	XX	PAN HD. SCREW & WASHER, 6-32	BRASS	BRT. ZINC PLATE
2	XX	BINDING HD. SCREW, 6-32	STEEL	BRT. ZINC PLATE
1	1	BARRIER TERMINAL STRIP	PVC	BLACK

ECO NO. 11339	RELEASE	DRW: R. STONE	CHK: R. STONE	APPR: R. STONE
REV	DESCRIPTION	MAJOR	CRITICAL	SPC
A				

GENERAL TOLERANCES: (UNLESS SPECIFIED)	
4 PLACES	mm ±.0015
3 PLACES	mm ±.038 INCH ±.005
2 PLACES	mm ±.13 INCH ±.01
1 PLACE	mm ±.3
ANGULAR: ±2°	
DRAFT WHERE APPLICABLE MUST REMAIN WITHIN DIMENSIONS	

SCALE 2:1	DESIGN UNITS mm INCH
THIRD ANGLE PROJECTION	
DRAWN BY & DATE R. STONE 3-26-03	
CHECKED BY & DATE	
APPROVED BY & DATE	
CAD FILENAME 63A8XX-C-001	

PROJECT NO. E-656	1	-
DIMENSIONS:	SHT	REV
<input checked="" type="checkbox"/> mm INCH <input type="checkbox"/> INCH mm <input type="checkbox"/> mm ONLY	REVISE ON CAD ONLY	
TITLE: 63A SERIES BTS 600V PC TERM, RA, NO MTG. ENDS		
MOLEX INCORPORATED		
MATERIAL NO. SEE CHART	DRAWING NO. SD-38631-004	SHEET NO. 1 OF 1
THIS DRAWING CONTAINS INFORMATION THAT IS PROPRIETARY TO MOLEX INCORPORATED AND SHOULD NOT BE USED WITHOUT WRITTEN PERMISSION.		SIZE B