



THIS DRAWING IS UNPUBLISHED.

RELEASED FOR PUBLICATION

2000

© COPYRIGHT 2000

ALL RIGHTS RESERVED.

LOC  
J

DIST  
-

REVISIONS

変更

P

LTR

DESCRIPTION

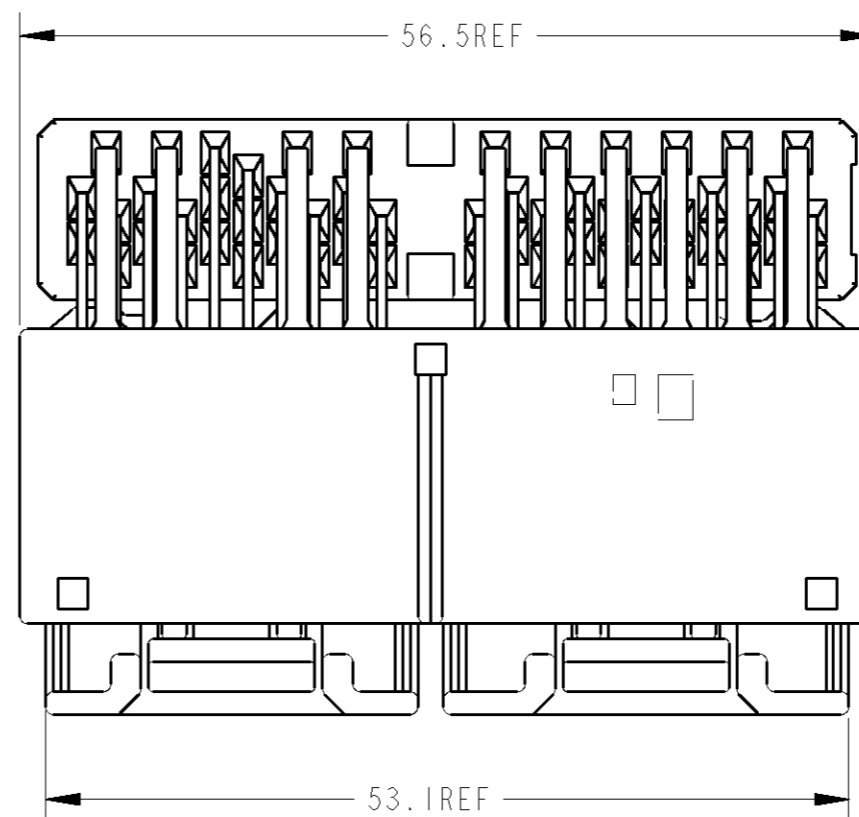
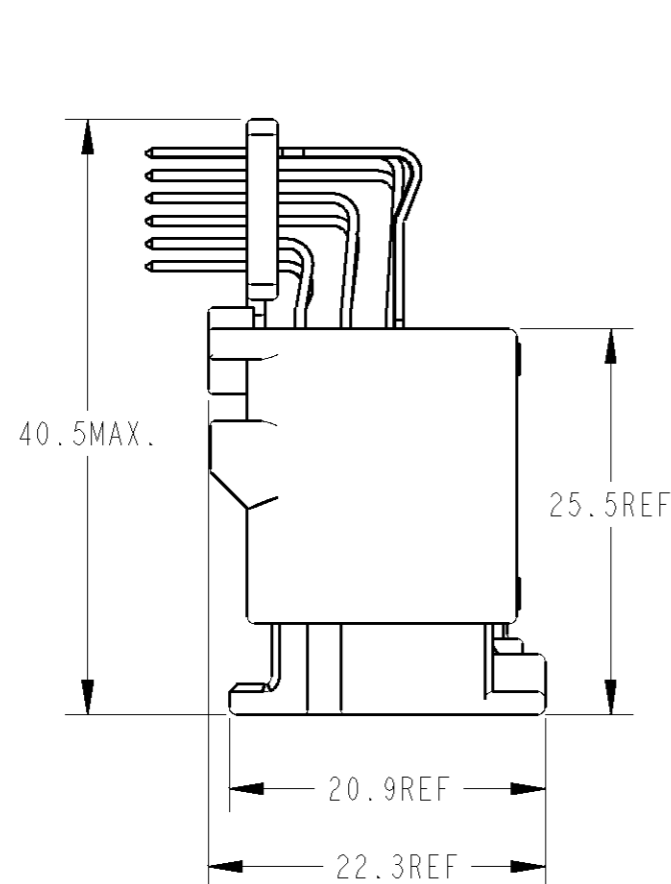
ECN

DATE

DWN

APVD

SEE 1 OF 2



CAP ASSEMBLY AND PLUG ASSEMBLY ENGAGEMENT DRAWING  
 キャップアッセンブリ & プラグアッセンブリ 嵌合図

THIS DRAWING IS A CONTROLLED DOCUMENT.

DWN T. HAYASHI 27APR2000

CHK N. SAI 27APR2000

APVD N. SAI 27APR2000

PRODUCT SPEC  
製品規格  
SEE 1 OF 2

APPLICATION SPEC  
取付適用規格  
SEE 1 OF 2

WEIGHT SEE 1 OF 2

CUSTOMER DRAWING

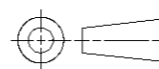
**TE** TE Connectivity

025/090 SERIES  
50POSITION CAP ASSEMBLY

SIZE A3 CAGE CODE 00779 DRAWING NO. C=1318750 RESTRICTED TO //

SCALE 2:1 SHEET 2 OF 2 REV A3

DIMENSIONS:  
単位: 概  
mm



TOLERANCES UNLESS OTHERWISE SPECIFIED:  
一般公差 ±0.3

- 0-PLC ±
- 1-PLC ±0.1
- 2-PLC ±0.01
- 3-PLC ±0.001
- 4-PLC ±0.0001
- ANGLES ±3'00"

MATERIAL 材料 SEE 1 OF 2

FINISH 仕上 SEE 1 OF 2