



MADE
IN THE USA

Product Description:

- Sign - Hand Sanitizer Station
- Helps prevent the spread of infection by providing visual indication of hand sanitizer location
- Can be used separately or in combination with a BOWMAN Semi-Recessed Hand Sanitizer Station, RE304-0012
- Screw holes for wall mounting
- Made of White Sintra® Plastic

Primary Area for Product Usage:

- Directly above BOWMAN's Semi-Recessed Hand Sanitizer Station, RE304-0012
- Any area designated to have a hand sanitizer station

Package Specifications:

- Package Quantity: 12 per case
- 12"L x 10"W x 9"H (30.5 cm x 25.4 cm x 22.9 cm)
- 3.0 lbs (1.4 kg) - approximated

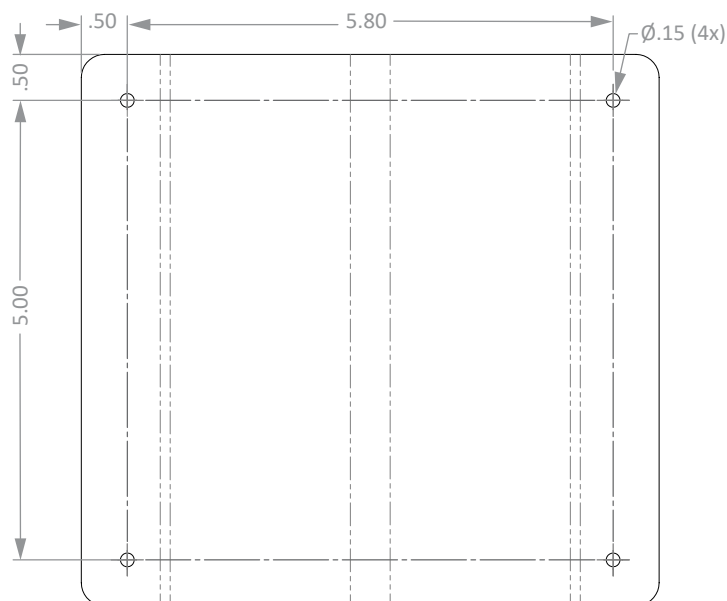
Product Specifications (overall external dimensions):

- 6.30"W x 6.00"H x 3.71"D (16.0 cm x 15.2 cm x 9.4 cm)
- 0.1 lbs (0.05 kg) - approximated

Mounting Specifications:

Companion Product (sold separately):

- RE304-0012, Semi-Recessed Hand Sanitizer Dispenser (shown in use below)



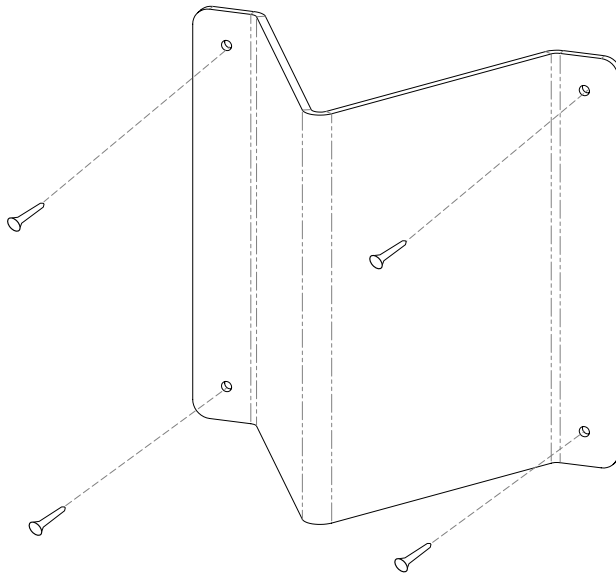


Installation

- Tent shape enables view of sign from multiple angles.
- Simple illustration is easy to recognize from a distance.

**1**

- Install using screws/hardware approved and supplied by building maintenance.

**2****Parts included:**

- Sign

Tools Required:

- No tools required to assemble dispenser

Characteristics & Care

Sintra® Plastic

Material Characteristics

Designed for Long-Term Applications

Sintra® plastic is a lightweight, yet rigid, board of moderately expanded closed-cell polyvinyl chloride (PVC). It is dent resistant and provides an excellent combination of rigidity and durability.

Sintra® has a high strength-to-weight ratio and offers excellent corrosion, dent, and scratch resistance. Its resistance to moisture makes it an excellent choice for locations prone to high humidity. Products constructed of Sintra® should not be located in areas subject to high temperatures (above 140° F).

The surface of Sintra® has a low gloss, matte finish.

Care and Cleaning

Sintra® can be wiped clean with a mild cleaner or soap and lukewarm water. Isopropyl alcohol is recommended to remove grease or oil. Ammonia and acetone should not be used.

Standard hospital cleaning supplies are approved for use on our Sintra® products.