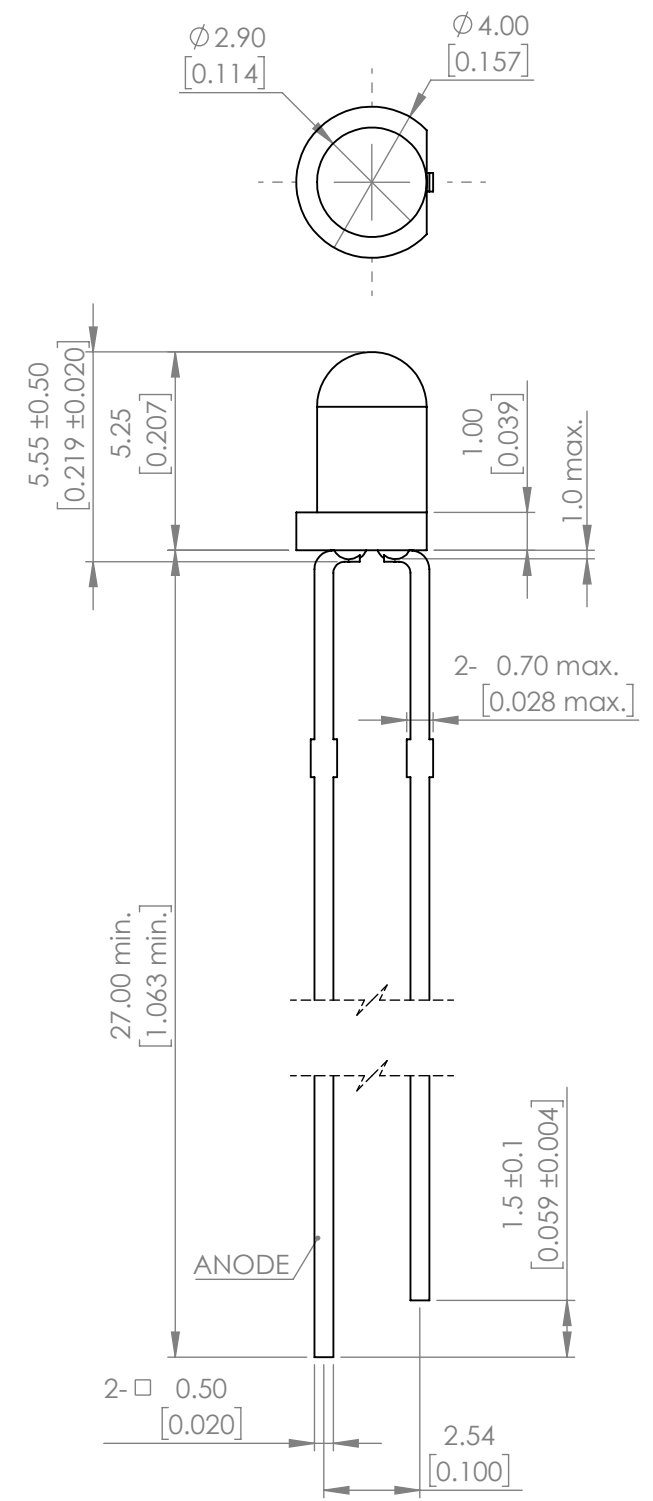
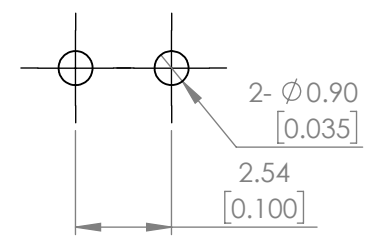


<b>PART NUMBER</b>		SSL-LX3054SYD	<b>REV</b>	<b>C</b>
<b>REV</b>	<b>E.C.N. NUMBER AND REVISION COMMENTS</b>			<b>DATE</b>
A	E.C.N. #10BRDR. & REDRAWN & REDRAWN IN 3D.			04.16.01
B	E.C.N. #10BRDR. & REDRAWN.			02.22.13
C	ECN-Lumex201700110			11.10.17



**RECOMMENDED LAYOUT**



**ELECTRO-OPTICAL CHARACTERISTIC TA=25°C**

PARAMETER	MIN	TYP	MAX	UNITS	TEST COND
PEAK WAVELENGTH	-	590	-	nm	If=20mA
FORWARD VOLTAGE	-	2.0	2.5	Vf	If=20mA
REVERSE CURRENT	-	-	10	uA	Vr=5V
LUMINOUS INTENSITY	300	500	-	mcd	If=20mA
VIEWING ANGLE	-	60	-	2x theta <sup>1/2</sup>	-
EMITTED COLOR	YELLOW				
EPOXY LENS FINISH	YELLOW DIFFUSED				

**ABSOLUTE MAXIMUM RATINGS TA=25°C**

PARAMETER	MAX	UNITS
PEAK FORWARD CURRENT*	150	mA
FORWARD CURRENT	30	mA
REVERSE VOLTAGE	5	V
POWER DISSIPATION	75	mW
STORAGE TEMPERATURE	-40 TO +85	°C
OPERATING TEMPERATURE	-40 TO +85	°C
LEAD SOLDER TEMPERATURE**	3SEC MAX @260	°C

\*1/10 DUTY CYCLE, 0.1MS PULSE WIDTH.  
 \*\*2mm BELOW PACKAGE BASE

**NOTE:**  
 1.RoHS COMPLIANT.

\*UNLESS OTHERWISE SPECIFIED TOLERANCES PER DECIMAL PRECISION ARE: X=±1 (±0.039), X.X=±0.5 (±0.020), X.XX=±0.25 (±0.010), X.XXX=±0.127 (±0.005). LEAD SIZE=±0.05 (±0.002), LEAD LENGTH=±0.75 (±0.030). MIN= <sup>+DECIMAL PRECISION</sup>/<sub>-0.00</sub> MAX= <sup>+0.00</sup>/<sub>-DECIMAL PRECISION</sub>