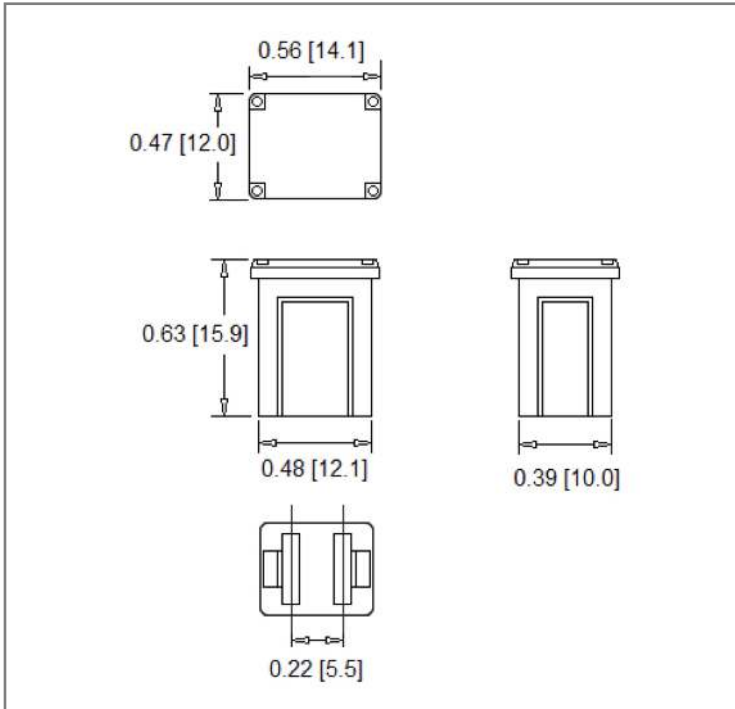
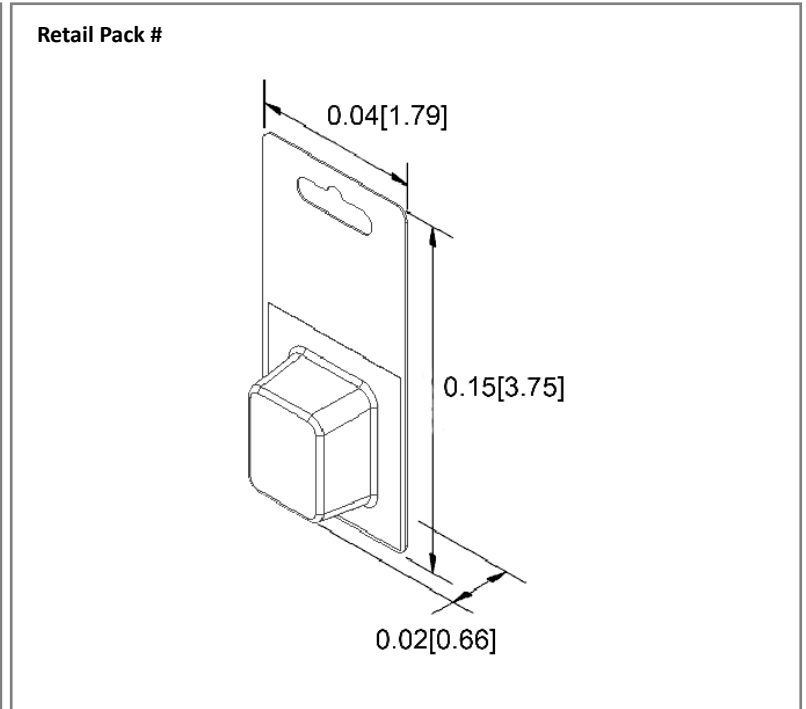


## Mechanical Dimensions: Inches [mm]



## Retail Pack: Inches [mm]



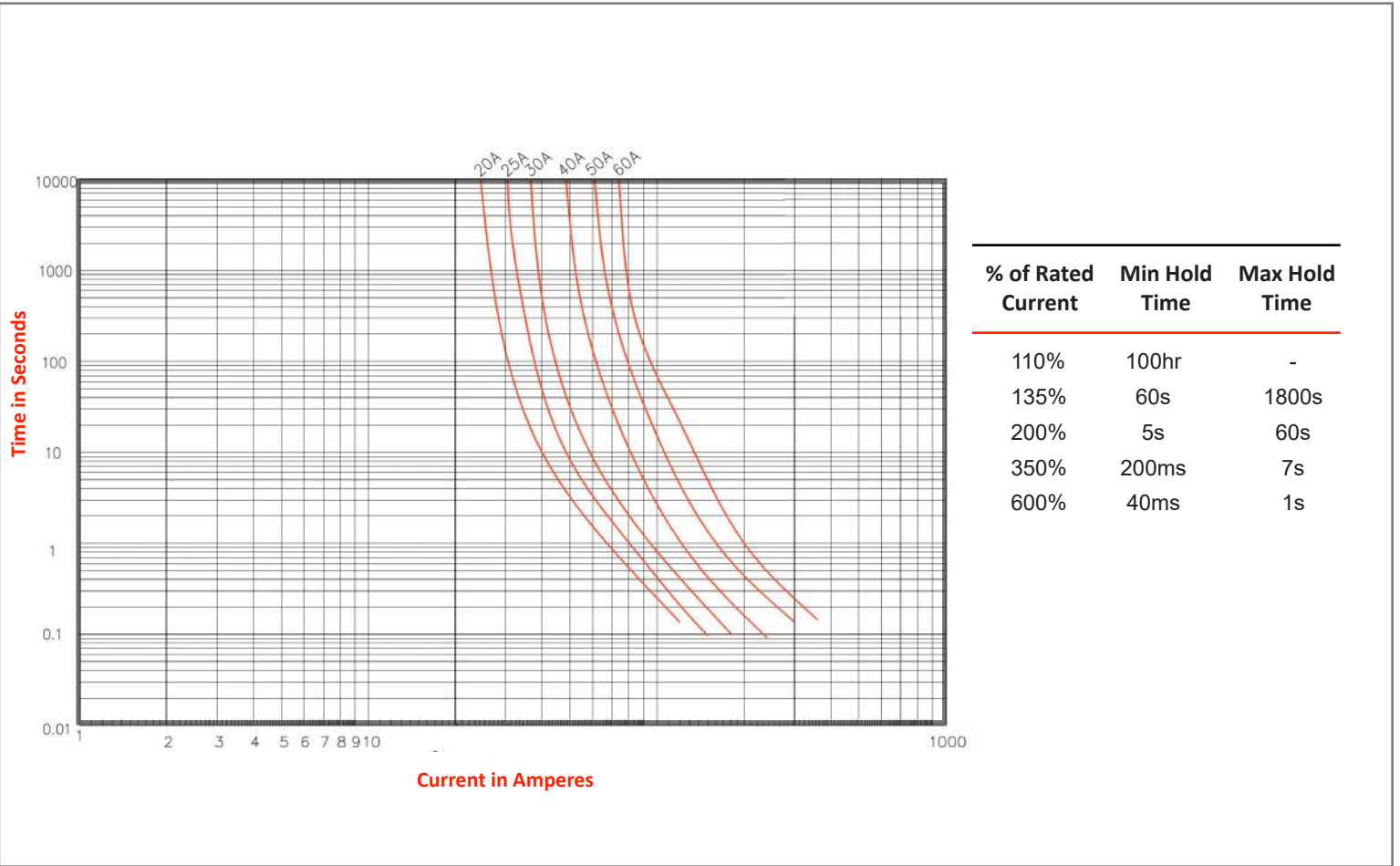
## Part Numbers Information

Amperage	Body Color	Bulk Part #	Retail Pack # Blister Card	Pack Size
20A	Light Blue	FMX-LP-20A	FMX-LP-20A-BP	1
25A	White	FMX-LP-25A	FMX-LP-25A-BP	1
30A	Pink	FMX-LP-30A	FMX-LP-30A-BP	1
40A	Green	FMX-LP-40A	FMX-LP-40A-BP	1
50A	Red	FMX-LP-50A	FMX-LP-50A-BP	1
60A	Yellow	FMX-LP-60A	FMX-LP-60A-BP	1

## Electrical Specifications

<b>Voltage Rating</b>	58V DC
<b>Interrupting Rating</b>	1000A @ 58 VDC
<b>Operation Temperature</b>	-40°C to +125°C


### Time vs. Percent of Rated Current Curve



**Rev Date of issue Revision Notes**

**Designed Approved**

C	05-22-2023	Initial Drawing	RC	OF
---	------------	-----------------	----	----