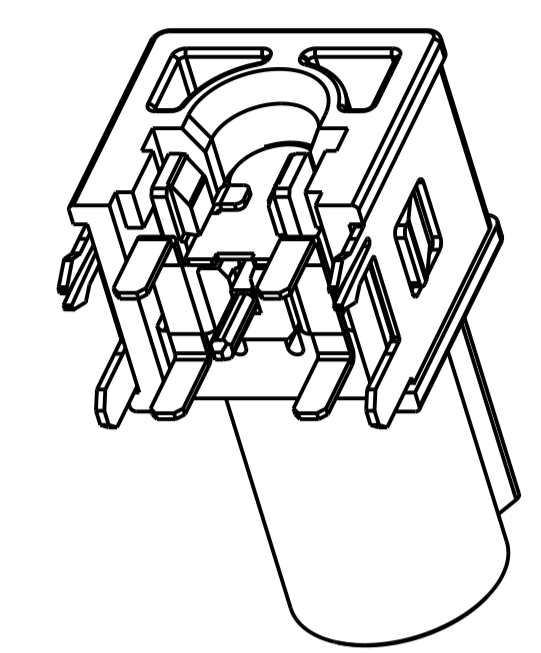
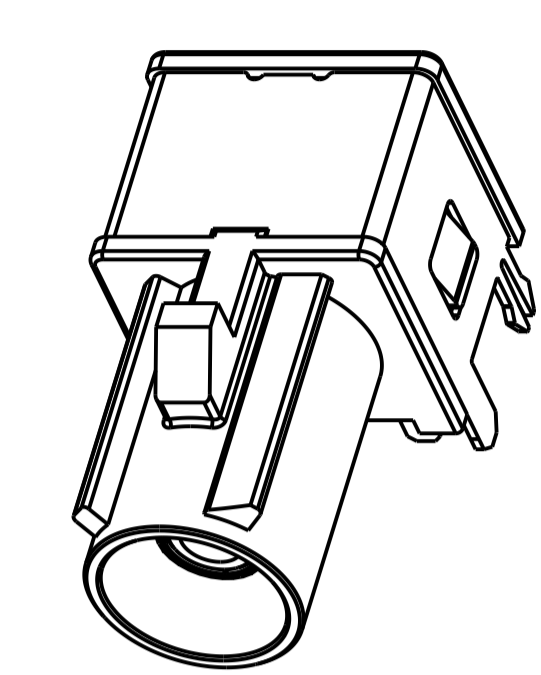
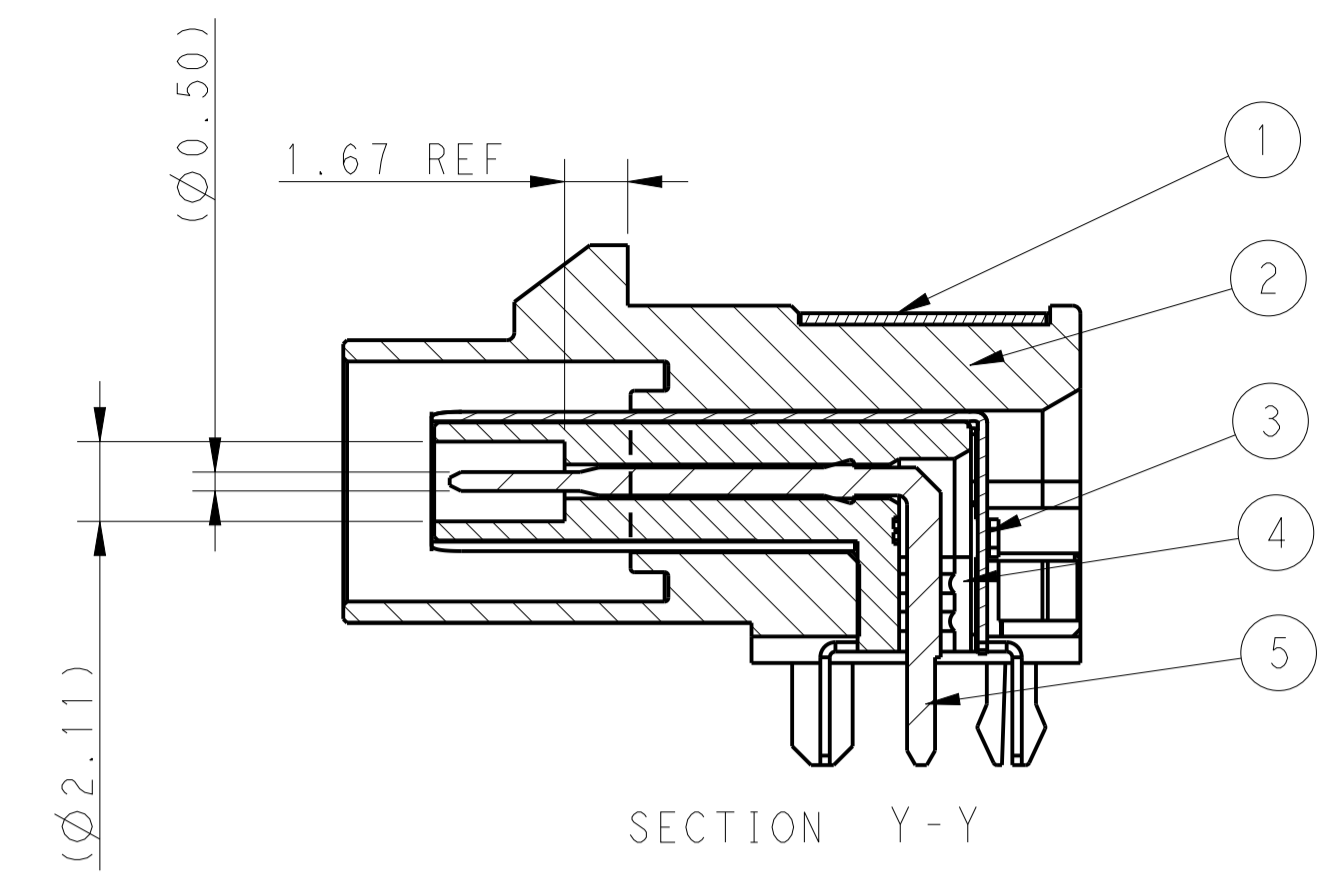
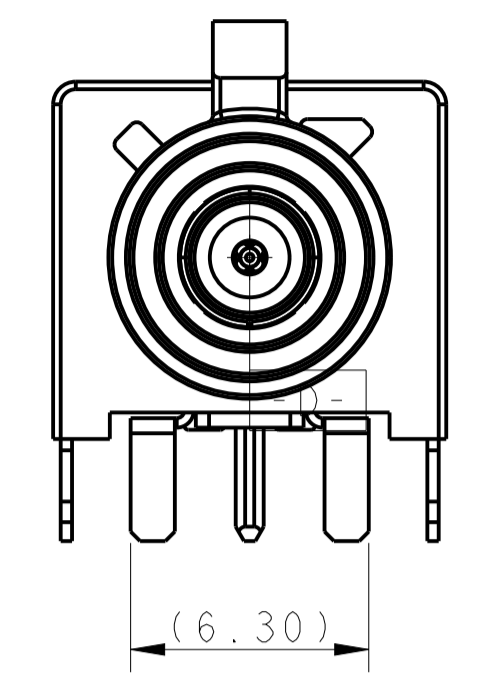
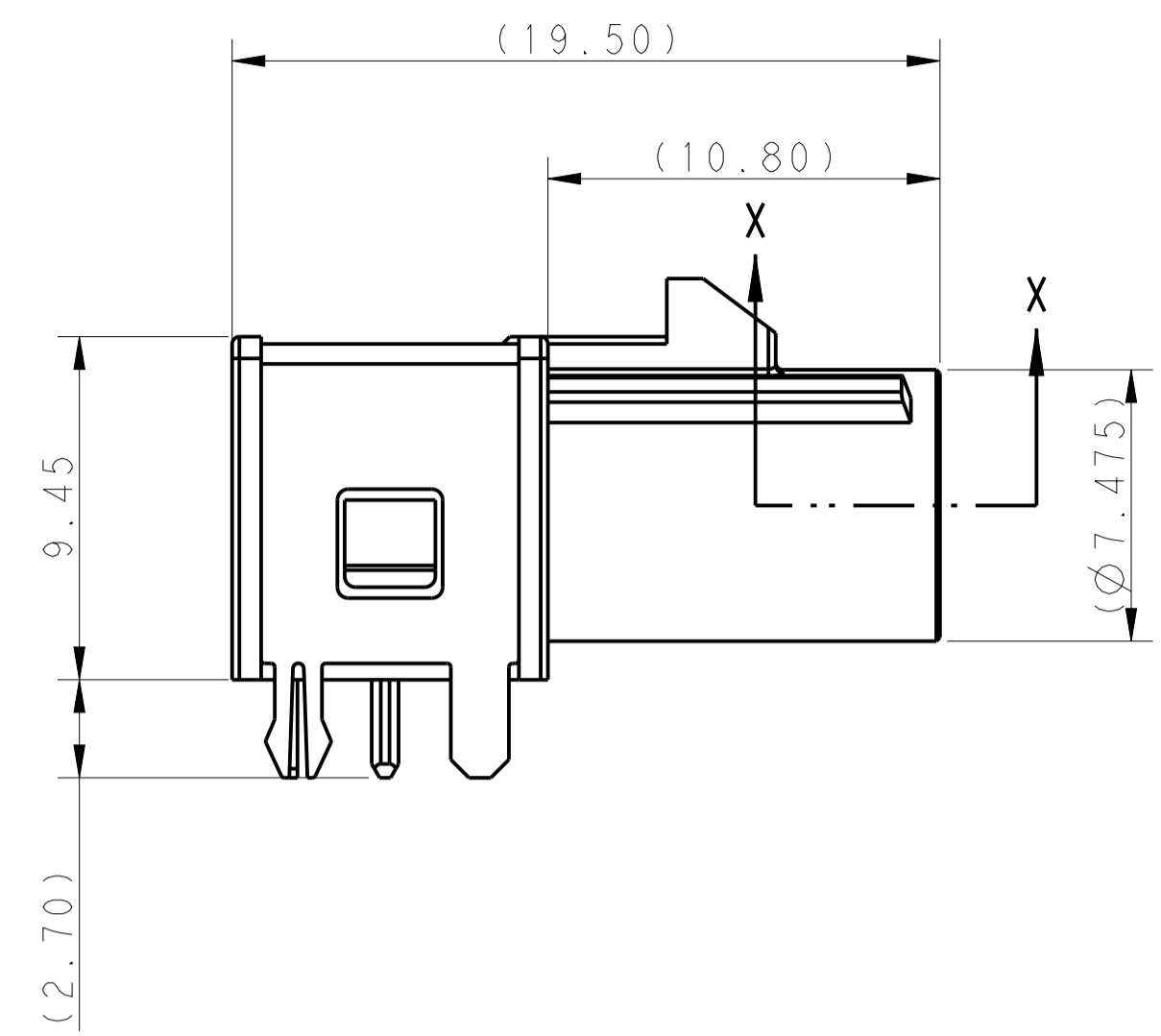


LOC		DIST		REVISIONS			
ES	00	P.	LTH	DESCRIPTION	DATE	DWN	APVD
C				REV PER ECR-14-012823	27AUG14	D.Z	P.W
C1				REV PER ECO-21-003597	17MAR21	L.L	I.Y



SCALE 4:1

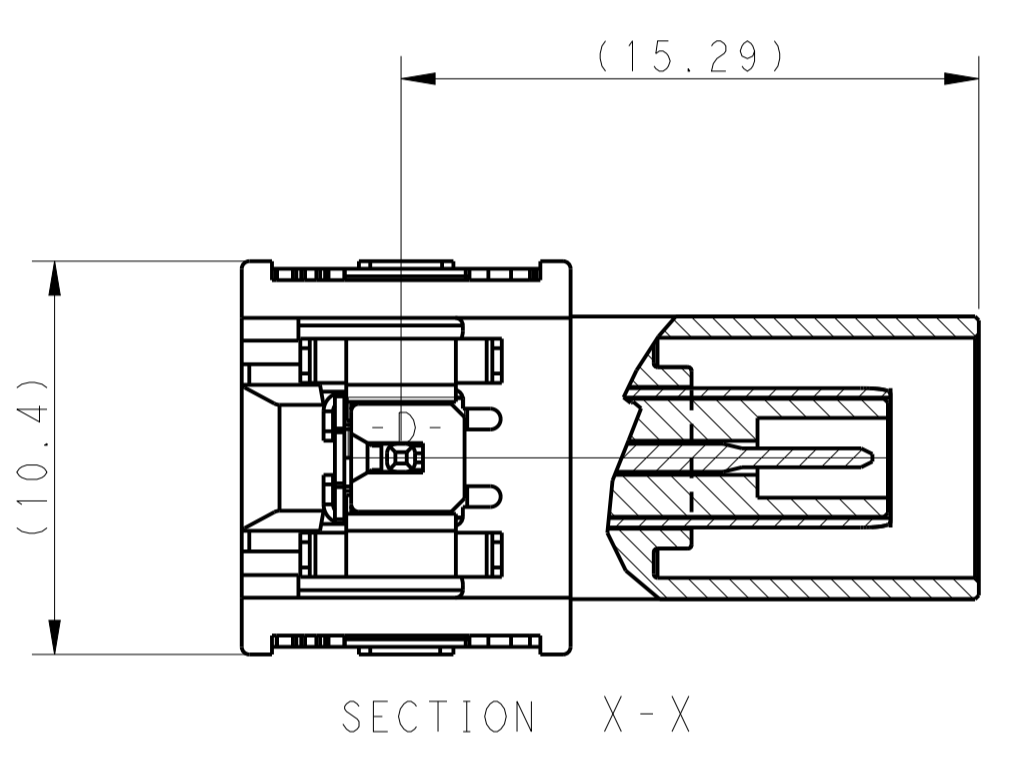


TABLE1 CODING INFORMATION

2209201-1 CODE A	2209201-2 CODE B	2209201-3 CODE C	2209201-4 CODE D	2209201-5 CODE E	2209201-6 CODE F		
2209201-7 CODE G	2209201-8 CODE H	2209201-9 CODE I	1-2209201-0 CODE K	1-2209201-1 CODE L	1-2209201-2 CODE M	1-2209201-3 CODE N	2-2209201-1 CODE A

NOTE

1. IMPEDENCE : 50 Ohms
2. TEM. RANGE : -40 - 105 °C
3. CODING INFORMATION SEE TABLE1, PART NUMBER INFORMATION AND PCB LAYOUT SEE TABLE2 ON SHEET2

THIS DRAWING IS A CONTROLLED DOCUMENT.		DWN	19MAR2021		TE Connectivity
DIMENSIONS:		CHK	19MAR2021		NAME
mm	0 PLC ±0.3 1 PLC ±0.1 2 PLC ±0.1 3 PLC ±0.05 4 PLC ±0.1	APVD	19MAR2021	PRODUCT SPEC	
TOLERANCES UNLESS OTHERWISE SPECIFIED:				APPLICATION SPEC	
ANGLES				WEIGHT	
FINISH				RESTRICTED TO	
MATERIAL				SIZE	A100779C=2209201
				CUSTOMER DRAWING	SCALE 5:1 SHEET 1 OF 2 REV C1

