

Description

The HXT44400 is a quad, low power, Linear PAM4 Directly-Modulated Laser (DML) driver for LR applications. It supports signaling rates up to 28GBaud or 56Gbps PAM4. In conjunction with an individual DML, the HXT44400 handles the complete electrical-to-optical conversion, including CML input with equalization, laser bias and modulations, laser power control and supervision.

The HXT44400 also integrates a number of functions required for Automatic Power Control (APC), as well as internal and module temperature measurements and reporting. With an additional RSSI input, one can directly measure the module receive optical power and report it.

HXT44400 is designed as a directly DC-coupled die used in a TOSA application. Thus, one can reduce the number of discrete components for better RF performance, cost-effective and compact assemblies.

Typical Applications

- Up to 10km 200G QSFP56 Ethernet modules for datacenter applications
- Fiber Channel Modules
- Infiniband EDR optical modules

Features

- 410mW power dissipation per channel
- Supports up to: $I_{MOD} = 60mA_{PP}$ & $I_{BIAS} = 60mA$ with $V_{CC} = 2.8V$ for lower power
- Integrated 12-bit ADC with 6 channel analog multiplexor front-end
- Programmable 8-bit laser modulation and bias current control
- Integrated bias monitor, transmit and receive power monitor capability
- Automatic power control (APC)
- Programmable input LOS and Squelch function with disable, transmit disable, and transmit fault indication
- Programmable input CTLE
- Integrated temperature sensor and input for external module temperature sensor
- Interrupts with user selectable mask control
- Input polarity inversion
- Laser disable for I_{MOD} and I_{BIAS}
- Integrated OTP for calibration
- 2-wire interface control

Device Diagram

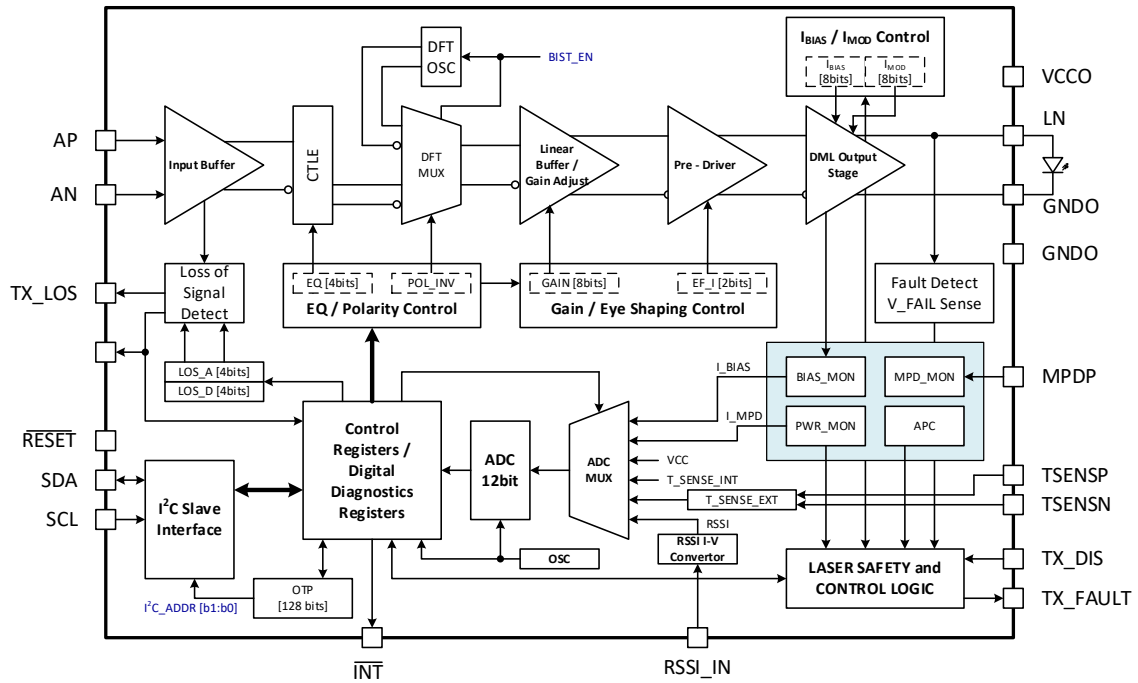


Figure 1: Functional Block Diagram of a single channel

Ordering Information

Orderable Part Number	Description	Temperature
HXT44400-DNU ¹ HXT44400-TNU ²	Nominal Die Cut Size: 1350 x 3320µm	-5°C to +95°C
HXT44400-EVB	Evaluation Board	Room Temp

IMPORTANT NOTICE AND DISCLAIMER

RENESAS ELECTRONICS CORPORATION AND ITS SUBSIDIARIES (“RENESAS”) PROVIDES TECHNICAL SPECIFICATIONS AND RELIABILITY DATA (INCLUDING DATASHEETS), DESIGN RESOURCES (INCLUDING REFERENCE DESIGNS), APPLICATION OR OTHER DESIGN ADVICE, WEB TOOLS, SAFETY INFORMATION, AND OTHER RESOURCES “AS IS” AND WITH ALL FAULTS, AND DISCLAIMS ALL WARRANTIES, EXPRESS OR IMPLIED, INCLUDING, WITHOUT LIMITATION, ANY IMPLIED WARRANTIES OF MERCHANTABILITY, FITNESS FOR A PARTICULAR PURPOSE, OR NON-INFRINGEMENT OF THIRD PARTY INTELLECTUAL PROPERTY RIGHTS.

These resources are intended for developers skilled in the art designing with Renesas products. You are solely responsible for (1) selecting the appropriate products for your application, (2) designing, validating, and testing your application, and (3) ensuring your application meets applicable standards, and any other safety, security, or other requirements. These resources are subject to change without notice. Renesas grants you permission to use these resources only for development of an application that uses Renesas products. Other reproduction or use of these resources is strictly prohibited. No license is granted to any other Renesas intellectual property or to any third party intellectual property. Renesas disclaims responsibility for, and you will fully indemnify Renesas and its representatives against, any claims, damages, costs, losses, or liabilities arising out of your use of these resources. Renesas' products are provided only subject to Renesas' Terms and Conditions of Sale or other applicable terms agreed to in writing. No use of any Renesas resources expands or otherwise alters any applicable warranties or warranty disclaimers for these products.

(Disclaimer Rev.1.0 Mar 2020)

Corporate Headquarters

TOYOSU FORESIA, 3-2-24 Toyosu,
Koto-ku, Tokyo 135-0061, Japan
www.renesas.com

Contact Information

For further information on a product, technology, the most up-to-date version of a document, or your nearest sales office, please visit:
www.renesas.com/contact/

Trademarks

Renesas and the Renesas logo are trademarks of Renesas Electronics Corporation. All trademarks and registered trademarks are the property of their respective owners.