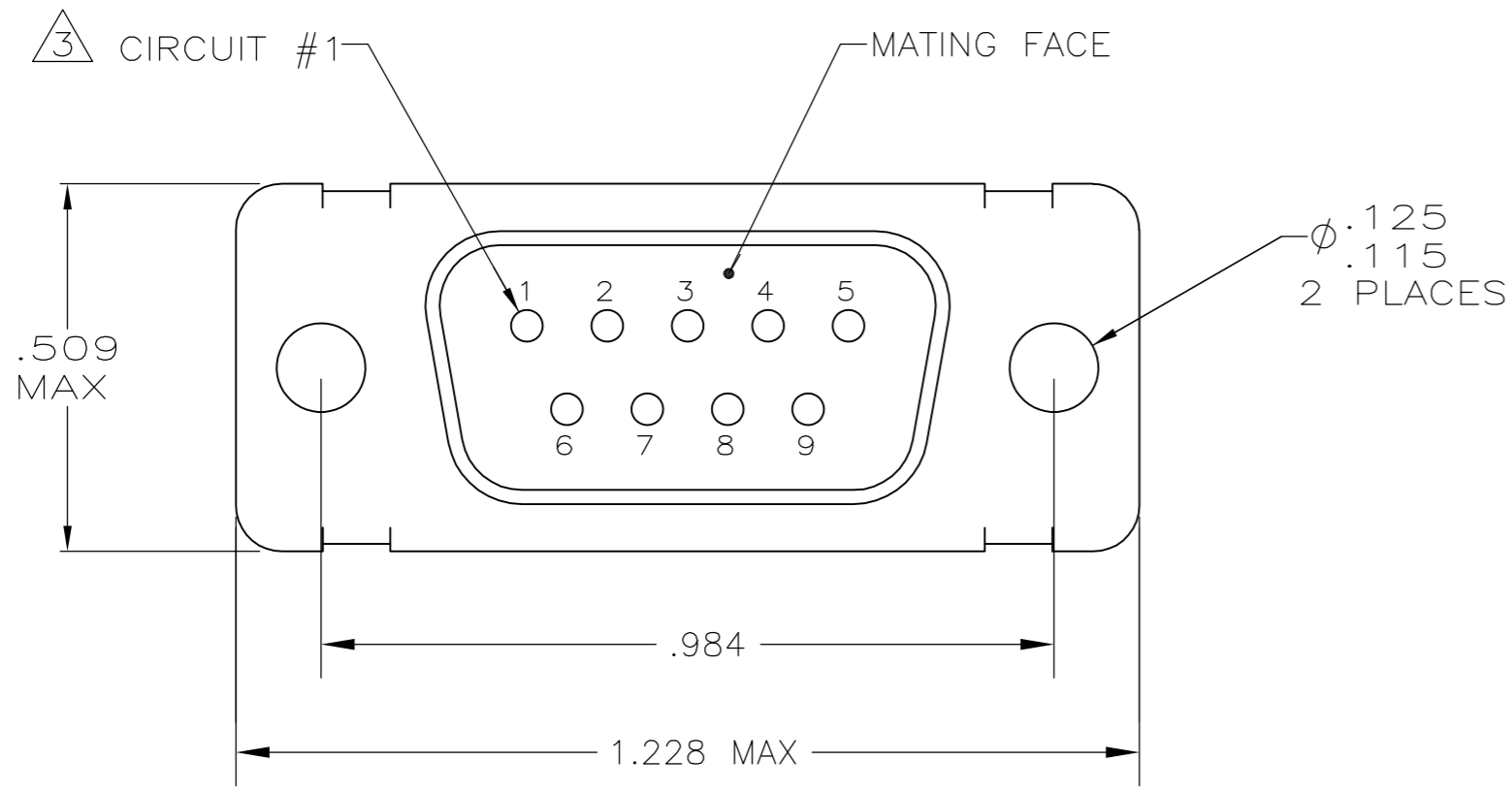
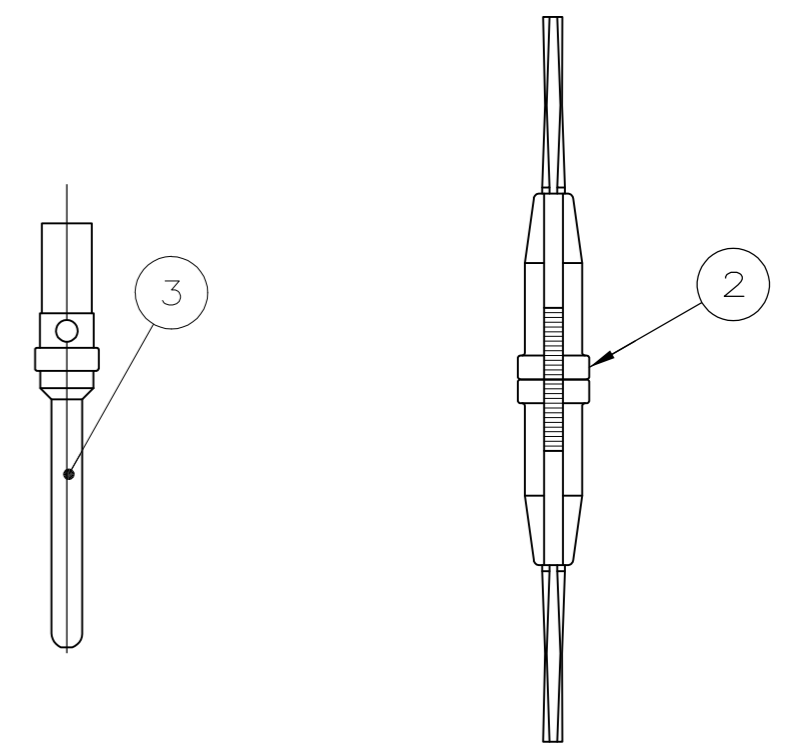
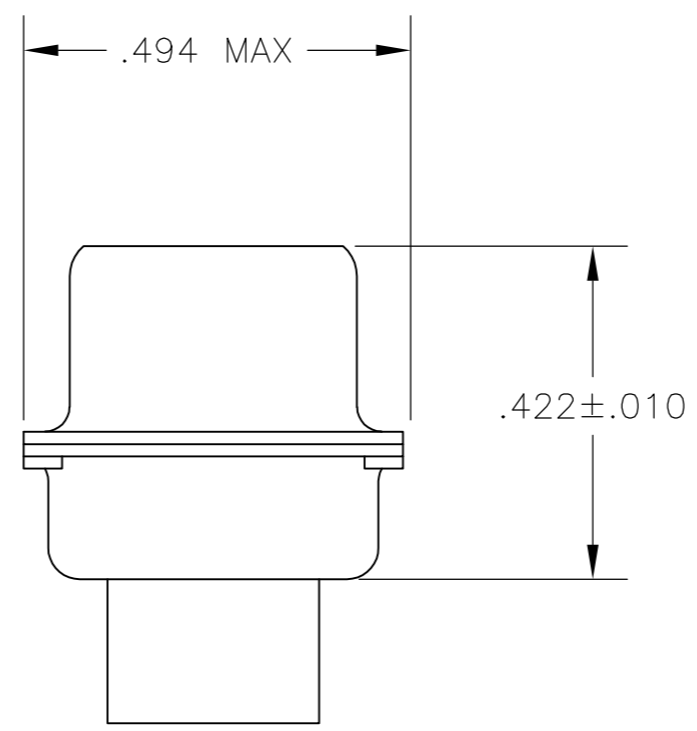
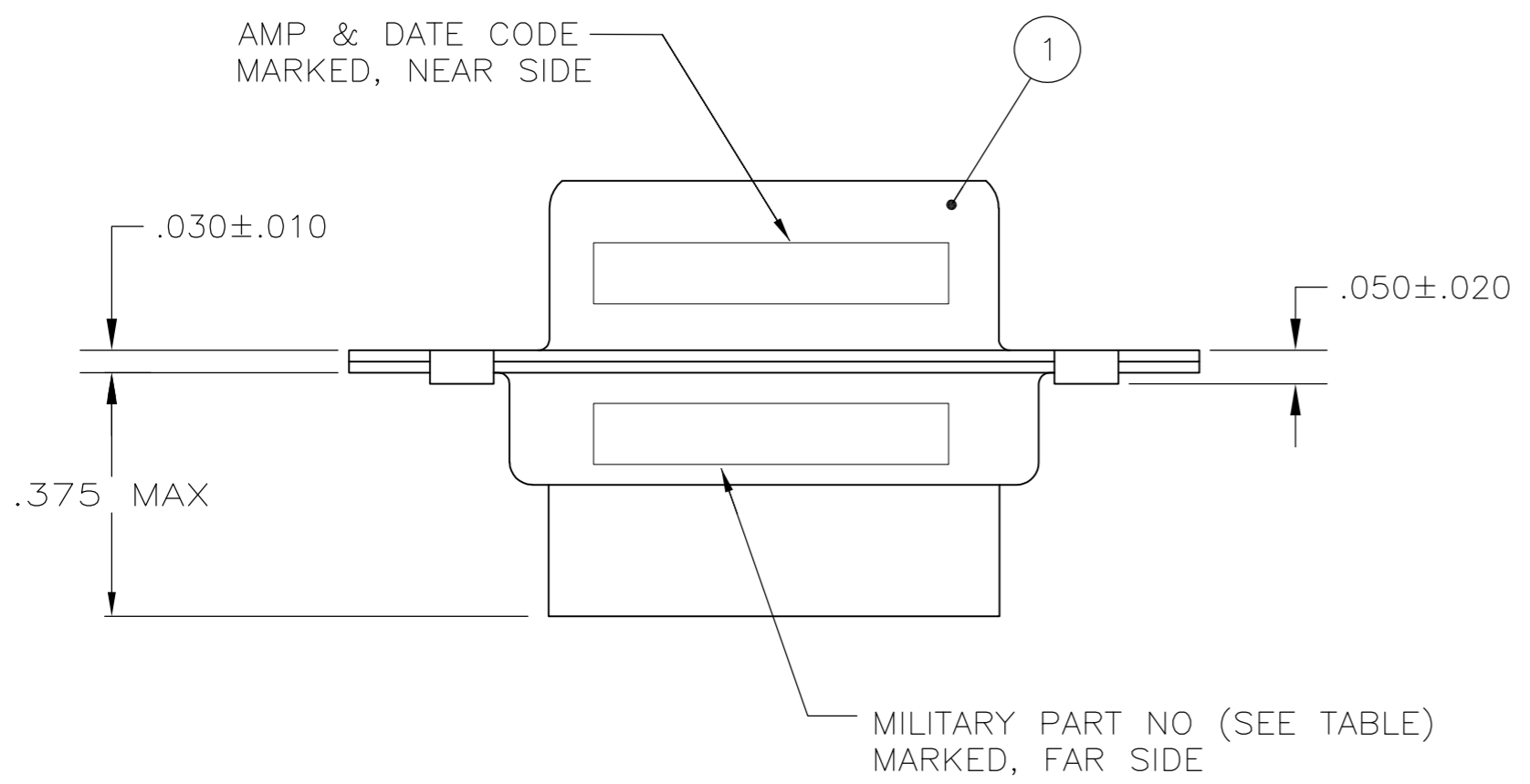


THIS DRAWING IS UNPUBLISHED. RELEASED FOR PUBLICATION
 © COPYRIGHT - By - ALL RIGHTS RESERVED.

LOC		DIST		REVISIONS			
P	LTR	DESCRIPTION		DATE	DWN	APVD	
-	-	H	REV PER ECO	13-012379	8-1-13	CT	CD



1 FOR CONNECTOR ASSEMBLIES WITHOUT CONTACTS, TE CONNECTIVITY CONTACT PART NOS 205089-1 MUST BE ORDERED SEPARATELY. CONNECTORS WITH CONTACTS ARE SUPPLIED WITH CONTACT 205089-1



	OBSOLETE	205556-3	M24308/8-6F	205089-1	91067-2	205162-2	205556-5
SUPERSEDED BY 207252-2 AND 205089-1		205556-3	M24308/8-1F	205089-1	-	205162-2	205556-4
		205556-3	M24308/4-6F	205089-1	91067-2	205162-1	205556-3
		205556-2	M24308/4-1F	205089-1	-	205162-1	205556-2
SUPERSEDED BY 205162-1 AND 91067-2		205556-1	-	-	91067-2	205162-1	205556-1
	P/N MARKED ON PACKAGE	MILITARY P/N MARKED ON PACKAGE	PIN CONTACT QTY. = 9	1	INSERTION/EXTRACTION TOOL QTY. = 1	2	PLUG ASSY QTY. = 1
			3			1	PART NUMBER

THIS DRAWING IS A CONTROLLED DOCUMENT.

DWN T.THOMPSON 05-24-94		NAME		
CHK H.WYNKOOP 06-17-94		AMPLIMITE, KIT,HDM-20, SERIES, PLUG, SIZE 1, 9 POSITION		
APVD H.WYNKOOP 06-17-94		SIZE	CAGE CODE	DRAWING NO
PRODUCT SPEC		A2	00779	C=205556
APPLICATION SPEC	WEIGHT	SCALE	SHEET	
		4:1	1 of 1	
MATERIAL	FINISH	CUSTOMER DRAWING	REV H	