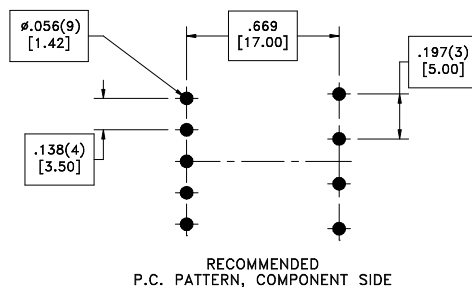
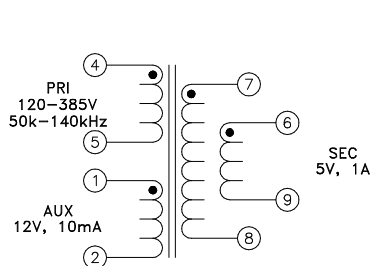
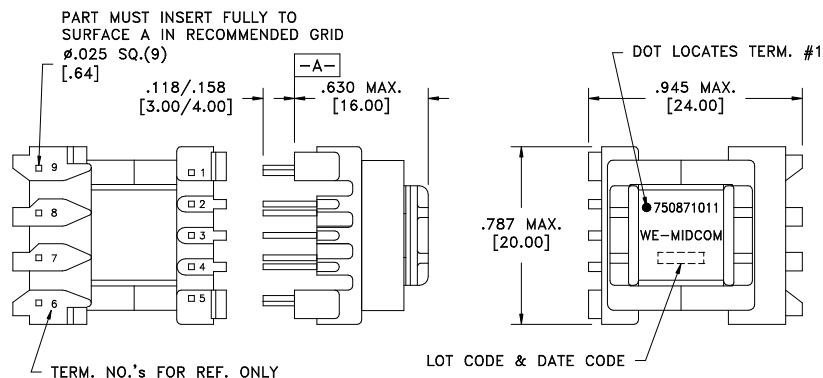


CUSTOMER TERMINAL	RoHS	LEAD(Pb)-FREE
Sn96%, Ag4%	Yes	Yes

more than you expect



ELECTRICAL SPECIFICATIONS @ 25°C unless otherwise noted:

PARAMETER	TEST CONDITIONS	VALUE
D.C. RESISTANCE	1-2 @20°C	1.60 ohms max.
D.C. RESISTANCE	4-5 @20°C	10.75 ohms max.
D.C. RESISTANCE	6-9 @20°C	0.050 ohms max.
D.C. RESISTANCE	7-8 @20°C	0.050 ohms max.
INDUCTANCE	4-5 10kHz, 100mVAC, Ls	4.00mH ±10%
LEAKAGE INDUCTANCE	4-5 tie(1+2, 6+7+8+9), 100kHz, 100mVAC, Ls	75uH max.
DIELECTRIC	4-6 tie(1+5, 6+7), 5000VAC, 1 second	4000VAC, 1 minute
DIELECTRIC	4-1 1875VAC, 1 second	1500VAC, 1 minute
TURNS RATIO	(4-5):(6-9)	21.9:1, ±1%
TURNS RATIO	(4-5):(7-8)	21.9:1, ±1%
TURNS RATIO	(4-5):(1-2)	7.551:1, ±1%

GENERAL SPECIFICATIONS:

OPERATING TEMPERATURE RANGE: -40°C to +125°C.

REV.	DATE	Packaging Specifications Method: Tray PKG-0058 www.midcom-inc.com	 CONVENTIONAL PLACEMENT	Tolerances unless otherwise specified: Angles: ±1° Decimals: ±.005 [.13] Fractions: ±1/64 Footprint: ±.005 [.13]	DRAWING TITLE TRANSFORMER	PART NO. 750871011
6A	10/08	SEE REVISION SHEET FOR REVISION LEVEL		This drawing is dual dimensioned. Dimensions in brackets are in millimeters.	eiSos p/n: 750871011	 SPECIFICATION SHEET 1 OF 1