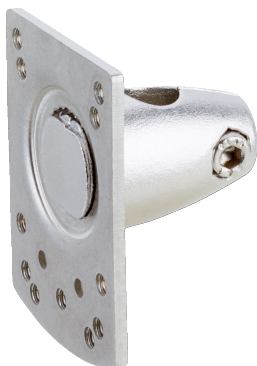




BEF-KHS-N02N

SICK
Sensor Intelligence.



Ordering information

| Type | Part no. |
|--------------|----------|
| BEF-KHS-N02N | 2051618 |

Included in delivery: BEF-KHS-KH3N (1)

Other models and accessories → www.sick.com/

Detailed technical data

Technical specifications

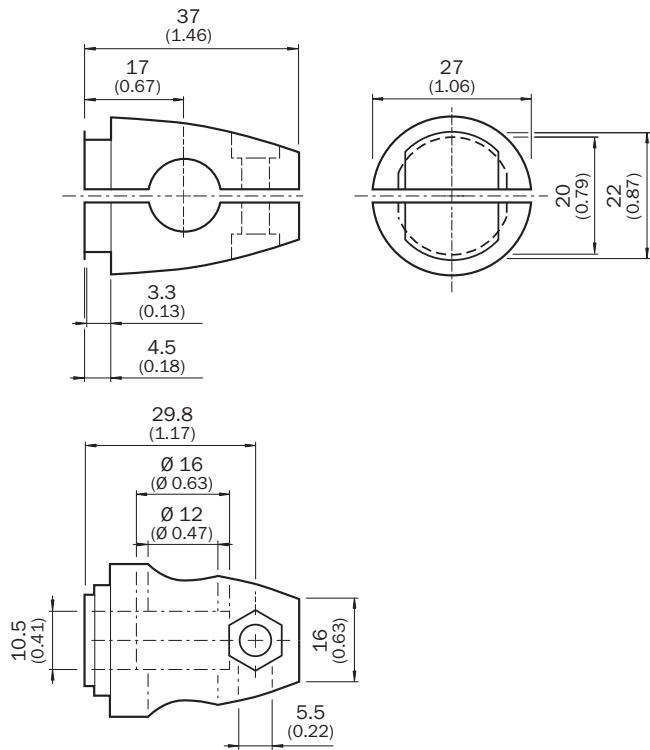
| | |
|------------------------|---|
| Accessory group | Universal bar clamp systems |
| Material | Stainless steel 1.4571 (sheet), Stainless steel 1.4408 (clamp) |
| Items supplied | Universal clamp (5322627), mounting hardware |
| Description | Plate N02N for universal clamp bracket |
| Usable for | W4S-3 Glass W4SLG-3 W4S-3 Inox W4S-3 Inox Glass W9 W11-2 W12-3 W12-2 Laser W12G W12 Teflon W16 W250 W250-2 PowerProx W11G-2 TranspaTect WTT12 UC12 P250 G6 Inox W4S-3 Glass W4SL-3V W4SLG-3V W4SL-3H |

Classifications

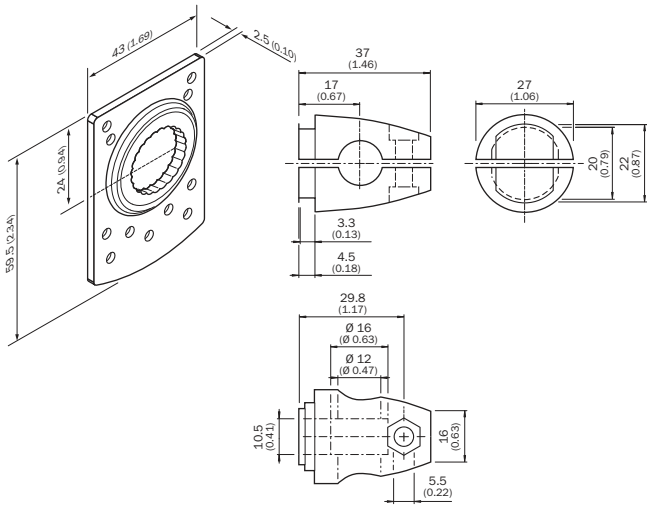
| | |
|---------------------|----------|
| eCl@ss 5.0 | 27279202 |
| eCl@ss 5.1.4 | 27279202 |
| eCl@ss 6.0 | 27279202 |
| eCl@ss 6.2 | 27279202 |
| eCl@ss 7.0 | 27279202 |
| eCl@ss 8.0 | 27279202 |
| eCl@ss 8.1 | 27279202 |
| eCl@ss 9.0 | 27273701 |

| | |
|-----------------------|----------|
| eCI@ss 10.0 | 27273701 |
| eCI@ss 11.0 | 27273701 |
| eCI@ss 12.0 | 27273701 |
| ETIM 5.0 | EC002024 |
| ETIM 6.0 | EC002024 |
| ETIM 7.0 | EC002024 |
| ETIM 8.0 | EC002024 |
| UNSPSC 16.0901 | 32131023 |

Dimensional drawing (Dimensions in mm (inch))



BEF-KHS-KH3



SICK AT A GLANCE

SICK is one of the leading manufacturers of intelligent sensors and sensor solutions for industrial applications. A unique range of products and services creates the perfect basis for controlling processes securely and efficiently, protecting individuals from accidents and preventing damage to the environment.

We have extensive experience in a wide range of industries and understand their processes and requirements. With intelligent sensors, we can deliver exactly what our customers need. In application centers in Europe, Asia and North America, system solutions are tested and optimized in accordance with customer specifications. All this makes us a reliable supplier and development partner.

Comprehensive services complete our offering: SICK LifeTime Services provide support throughout the machine life cycle and ensure safety and productivity.

For us, that is “Sensor Intelligence.”

WORLDWIDE PRESENCE:

Contacts and other locations www.sick.com