



AMP | AMP Type III+

TE Internal #: 163087-9

Power Contacts, Contact, Tin, 24 – 20 AWG Wire Size, .2 – .5 mm² Wire Size, Wire & Cable, Crimp, Power & Signal, Socket, AMP Type III+

[View on TE.com >](#)

Connectors > Power Connectors > Power Contacts



Power Contact Type: **Contact**

Contact Mating Area Plating Material: **Tin**

Wire Size: **.2 – .5 mm²**

Connector & Contact Terminates To: **Wire & Cable**

Features

Product Type Features

| | |
|------------------------------------|--------------|
| Compatible With Discrete Wire Type | Stranded |
| Power Contact Type | Contact |
| Connector & Contact Terminates To | Wire & Cable |

Contact Features

| | |
|---|------------------|
| Contact Size | Size 16 |
| Contact Mating Area Plating Material | Tin |
| Contact Current Rating (Max) | 13 A |
| Contact Type | Socket |
| Contact Retention Within Housing | With |
| Mating Pin Diameter | 1.57 mm[.062 in] |
| Contact Base Material | Brass |
| Contact Mating Area Plating Material Thickness | 2.03 μm[80 μin] |
| Contact Mating Area Plating Material Finish | Bright |
| Wire Contact Termination Area Plating Thickness | 2.03 μm[80 μin] |
| Wire Contact Termination Area Plating Material | Tin |



| | |
|---|--------|
| Wire Contact Termination Area Plating Material Finish | Bright |
|---|--------|

| | |
|---------------------|----------|
| Contact Orientation | Straight |
|---------------------|----------|

| | |
|-------------------------------|--------|
| Contact Underplating Material | Nickel |
|-------------------------------|--------|

| | |
|---|-----------------|
| Contact Underplating Material Thickness | 1.27 μm[50 μin] |
|---|-----------------|

Termination Features

| | |
|------------------------------------|-------|
| Termination Method to Wire & Cable | Crimp |
|------------------------------------|-------|

Mechanical Attachment

| | |
|-------------------------|------|
| Wire Insulation Support | With |
|-------------------------|------|

Dimensions

| | |
|-----------|-------------------------|
| Wire Size | .2 – .5 mm ² |
|-----------|-------------------------|

| | |
|--------------------------------------|-----------------------------|
| Compatible Insulation Diameter Range | 1.1 – 1.8 mm[.043 – .07 in] |
|--------------------------------------|-----------------------------|

Usage Conditions

| | |
|-----------------------------|---------------------------|
| Operating Temperature Range | -55 – 90 °C[-67 – 194 °F] |
|-----------------------------|---------------------------|

Operation/Application

| | |
|---------------------|----------------|
| Circuit Application | Power & Signal |
|---------------------|----------------|

Packaging Features

| | |
|--------------------|------|
| Packaging Quantity | 5000 |
|--------------------|------|

| | |
|------------------|------|
| Packaging Method | Reel |
|------------------|------|

Product Compliance

[For compliance documentation, visit the product page on TE.com>](#)

| | |
|------------------------------|-----------|
| EU RoHS Directive 2011/65/EU | Compliant |
|------------------------------|-----------|

| | |
|-----------------------------|-----------|
| EU ELV Directive 2000/53/EC | Compliant |
|-----------------------------|-----------|

| | |
|---|---|
| China RoHS 2 Directive MIIT Order No 32, 2016 | No Restricted Materials Above Threshold |
|---|---|

| | |
|--|--|
| EU REACH Regulation (EC) No. 1907/2006 | Current ECHA Candidate List: JUNE 2023 (235) Candidate List Declared Against: JAN 2023 (233) Does not contain REACH SVHC |
|--|--|

| | |
|-----------------|---|
| Halogen Content | Low Halogen - Br, Cl, F, I < 900 ppm per homogenous material. Also BFR/CFR/PVC Free |
|-----------------|---|

| | |
|---------------------------|--|
| Solder Process Capability | Not applicable for solder process capability |
|---------------------------|--|



This information is provided based on reasonable inquiry of our suppliers and represents our current actual knowledge based on the information they provided. This information is subject to change. The part numbers that TE has identified as EU RoHS compliant have a maximum concentration of 0.1% by weight in homogenous materials for lead, hexavalent chromium, mercury, PBB, PBDE, DBP, BBP, DEHP, DIBP, and 0.01% for cadmium, or qualify for an exemption to these limits as defined in the Annexes of Directive 2011/65/EU (RoHS2). Finished electrical and electronic equipment products will be CE marked as required by Directive 2011/65/EU. Components may not be CE marked. Additionally, the part numbers that TE has identified as EU ELV compliant have a maximum concentration of 0.1% by weight in homogenous materials for lead, hexavalent chromium, and mercury, and 0.01% for cadmium, or qualify for an exemption to these limits as defined in the Annexes of Directive 2000/53/EC (ELV). Regarding the REACH Regulation, the information TE provides on SVHC in articles for this part number is based on the latest European Chemicals Agency (ECHA) 'Guidance on requirements for substances in articles' posted at this URL: <https://echa.europa.eu/guidance-documents/guidance-on-reach>

Compatible Parts

TE Part # 58495-2
PROCRIMPER DIE ASSY MULTIMATE

TE Part # 91505-1
CCII TYPE III+ 24-16 ASSY

TE Part # 200893-2
INSERTION TOOL CONT

TE Part # 58495-1
PRO CRIMPER ASSY MULTIMATE

TE Part # 539972-1
EXTRACTION TOOL

TE Part # 305183
EXTRACT TOOL TYPE 2 20-16

TE Part # 2305570-1
Strip Terminal Cutter-Side Feed-No Crimp

TE Part # 2151016-2
OCEAN_2.0_APPLICATOR-S-062F0900A

TE Part # 2-2151016-1
OCEAN_2.0_APPLICATOR-S-062F0900

TE Part # 2-2151016-2
OCEAN_2.0_APPLICATOR-S-062F0900A

TE Part # 2151016-1
OCEAN_2.0_APPLICATOR-S-062F0900

TE Part # 2384426-2
SDE F TYPE III+ 0.56-0.12mm² DIE SET

TE Part # 5-2151016-1
OCEAN_2.0_APPLICATOR-S-062F0900

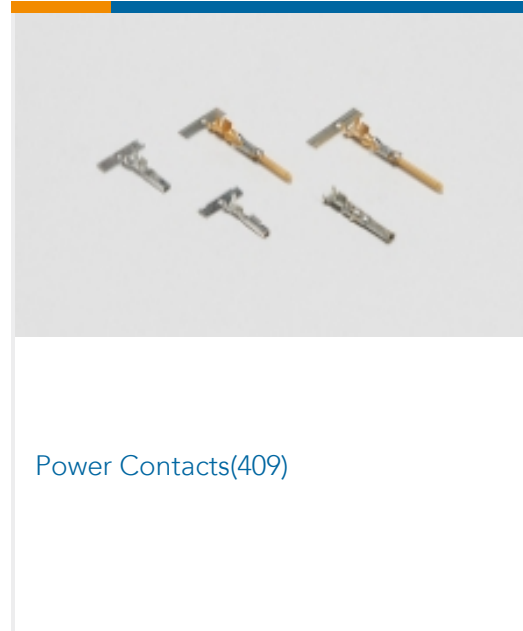
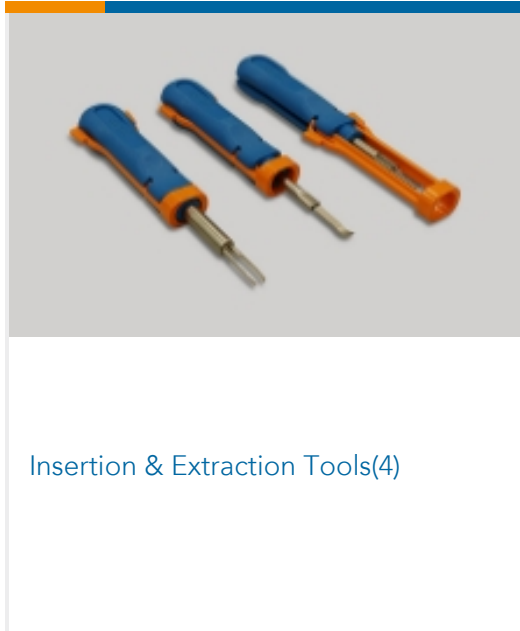
TE Part # 5-2151016-2
OCEAN_2.0_APPLICATOR-S-062F0900A

TE Part # 7-2151016-7
OCEAN_2.0_SPARE_PART_KIT-062F0900

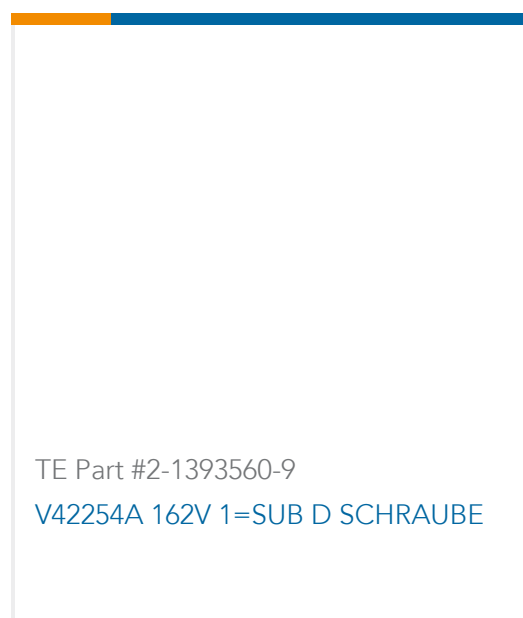
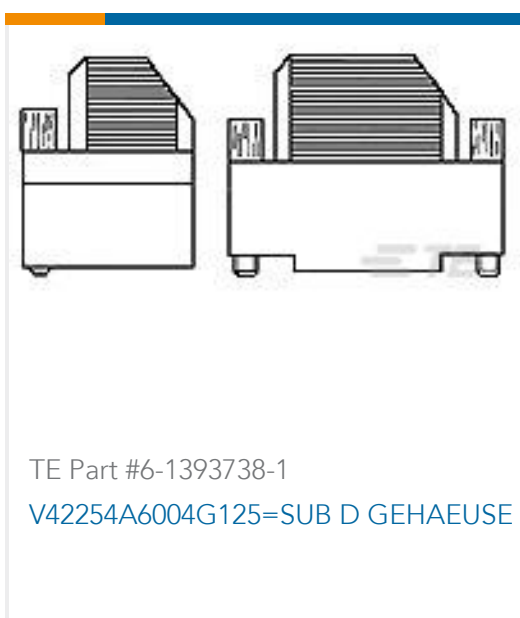
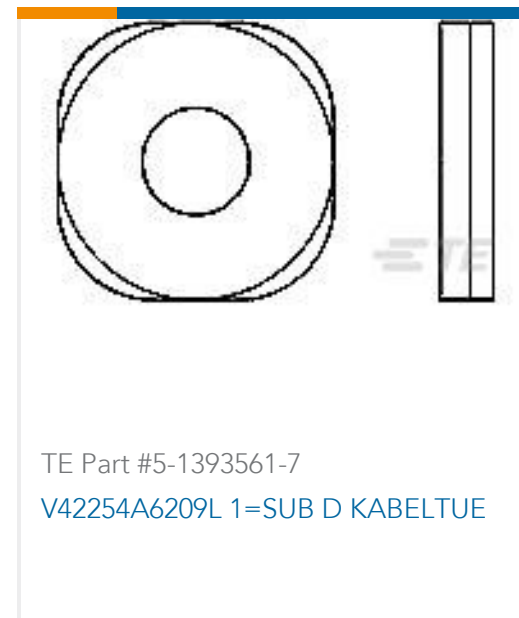
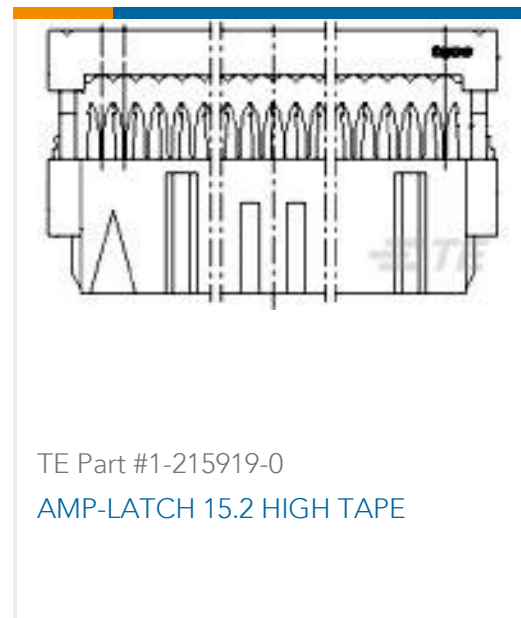
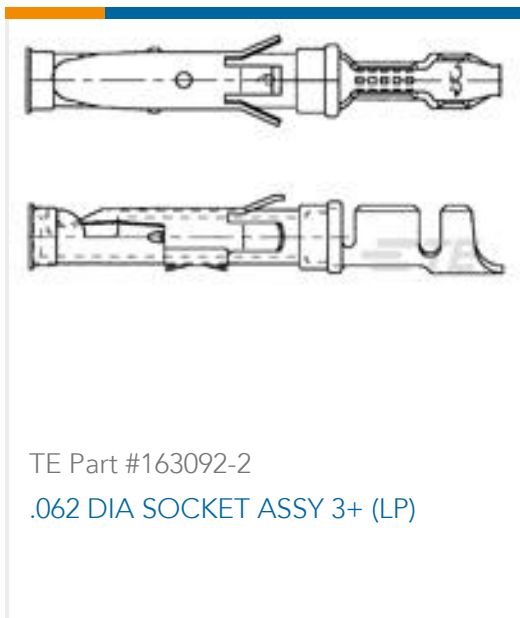
TE Part # 2384426-1
SDE F TYPE III+ 0.56-0.12mm² ASSY



Also in the Series | AMP Type III+



Customers Also Bought





Documents

Product Drawings

062 SOC.ASS. TYP3+

English

CAD Files

3D PDF

English

Customer View Model

[ENG_CVM_163087-9_AD.2d_dxf.zip](#)

English

Customer View Model

[ENG_CVM_163087-9_AD.3d_igs.zip](#)

English

Customer View Model

[ENG_CVM_163087-9_AD.3d_stp.zip](#)

English

Customer View Model

[ENG_CVM_CVM_163087-9_AD1.3d_igs.zip](#)

English

Customer View Model

[ENG_CVM_CVM_163087-9_AD1.3d_stp.zip](#)

English

Customer View Model

[ENG_CVM_CVM_163087-9_AD1.2d_dxf.zip](#)

English

3D PDF

3D

By downloading the CAD file I accept and agree to the [Terms and Conditions](#) of use.

Product Specifications

Product Specification

English

Product Environmental Compliance

Product Compliance

English

Product Compliance

English