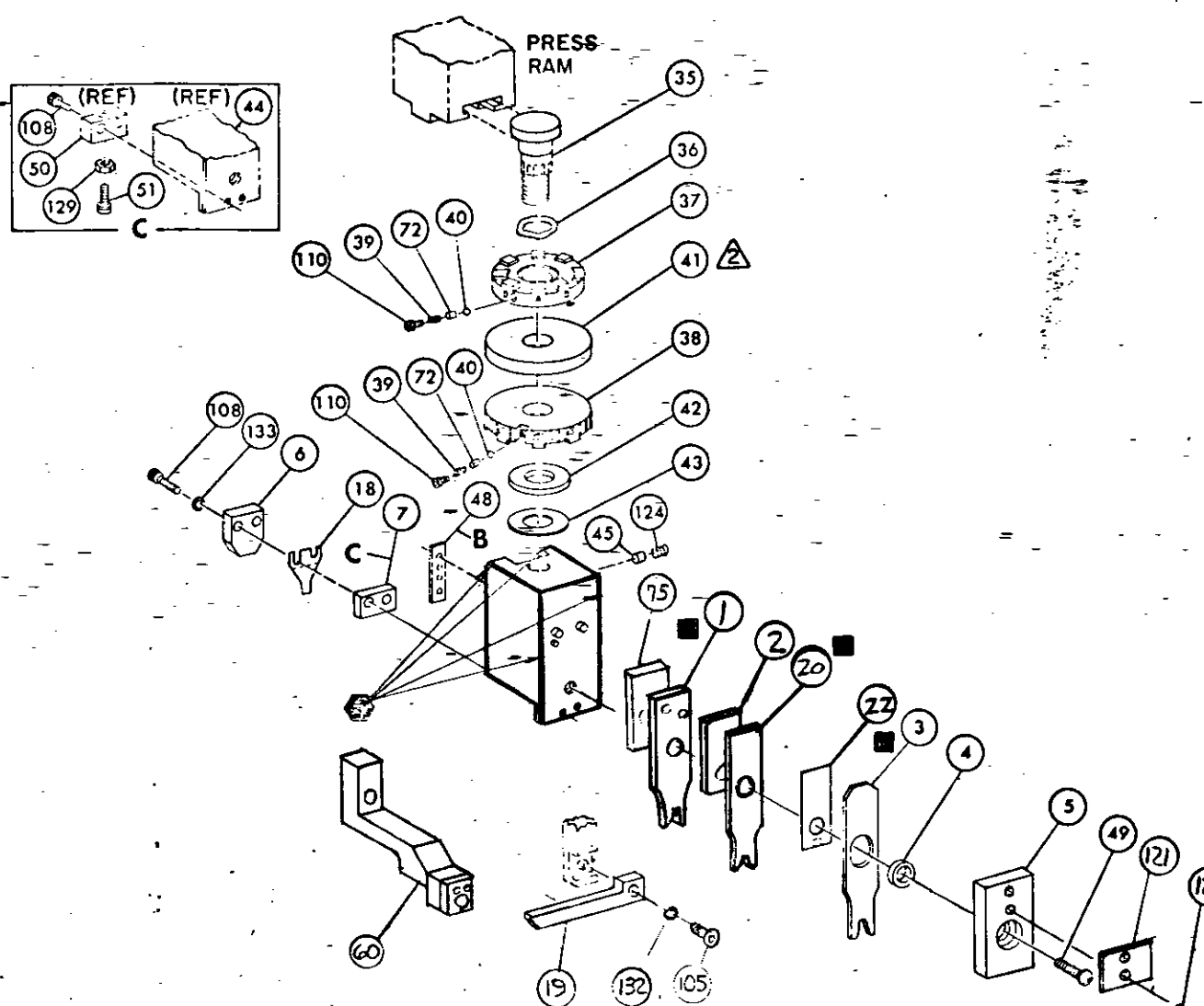
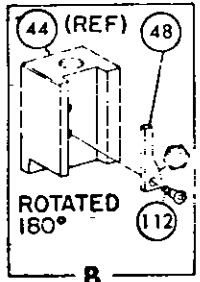


THIS DRAWING IS A CONTROLLED DOCUMENT FOR AMP INC. IT IS SUBJECT TO CHANGE AND THE COMPANY ASSUMES NO LIABILITY FOR ANY DAMAGE OR LOSS OF PROFITS SHOULD BE CONTACTED FOR THE LATEST REVISION.

SPECIAL  
PRE-FEED  
1 5/8" STROKE



NOTES:

1- ONLY THE ITEMS WITH QUANTITIES SPECIFIED ON PARTS LIST ARE USED ON THIS APPLICATOR.

▲ USED IN PLACE OF ITEM 38 WHEN INSULATION CRIMP IS NOT USED.

3-FEED PIVOT-HOLE

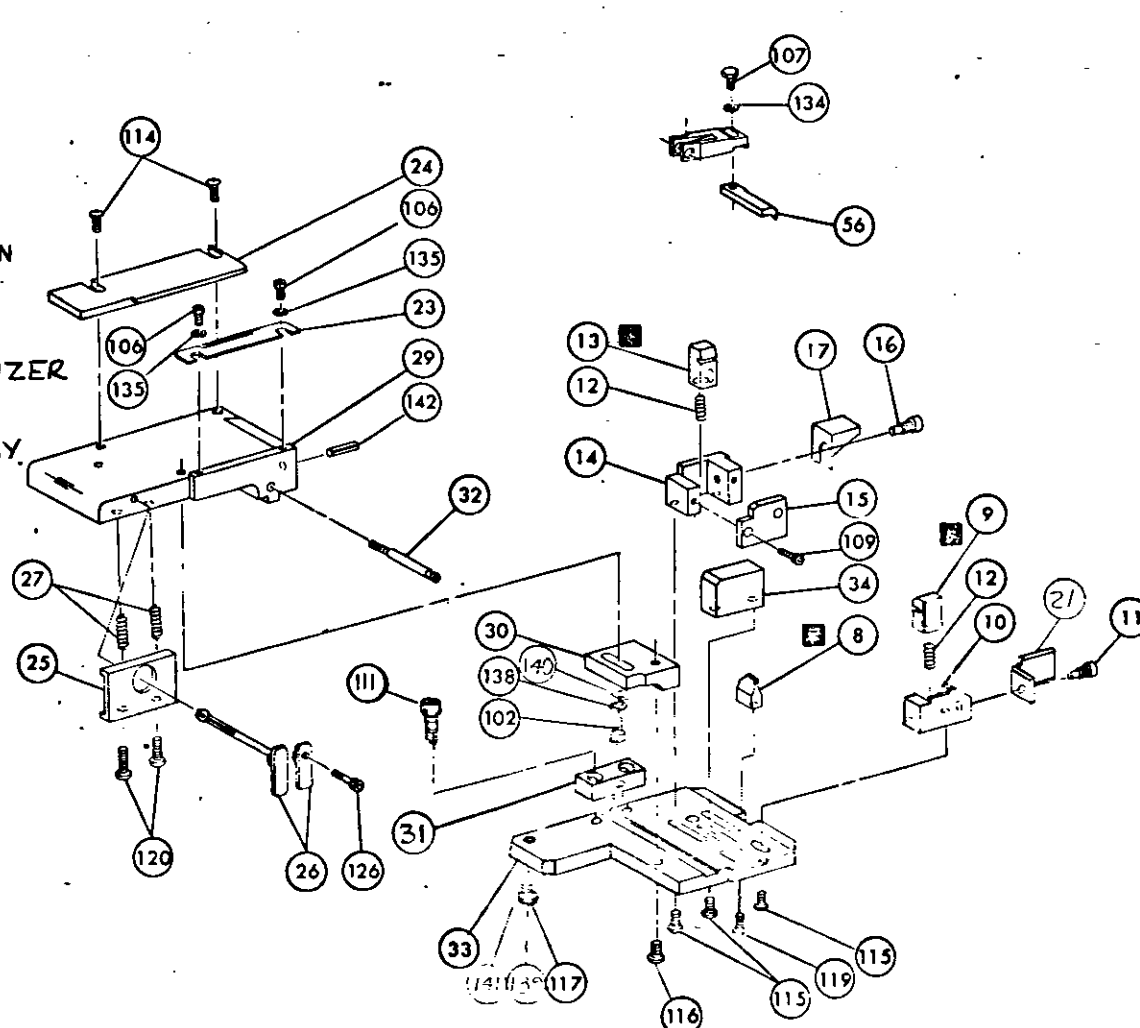
▲ GUIDE OFF OF STABILIZER BARREL.

▲ CUT TO LENGTH AT ASSY.

KEY:

■ -RECOMMENDED SPARE PARTS  
OWNER RESPONSIBLE FOR

● -GREASE WEEKLY



QTY	PART NO	DESCRIPTION	ITEM NO
1	459615-1	PLATE TERMINAL NO	145
2	690701-2	PLATE SERIAL NO	144
1	4-21028-0	PIN, SLOT SPR (1.093 DIA X .75) STR G PLATE	143
1	21899-2	WASHER, FLAT (NO 10) MOUNTING	141
1	21899-2	WASHER, FLAT (NO 10) S G ADJ BLOCK	140
1	21024-5	WASHER, LOCK (NO 10) MOUNTING	139
1	21024-5	WASHER, LOCK (NO 10) STRIP GUIDE ADJ BLOCK	138
2	21057-2	WASHER, LOCK (NO 4) FRONT STRIP GUIDE	137
REF	21024-4	WASHER, LOCK (NO 8) FEED FINGER	136
REF	21024-4	WASHER, LOCK (NO 8) DEPRESSOR	134
REF	21024-4	WASHER, LOCK (NO 8) STRIPPER	133
1	21068-5	NUT, HEX MACH (6-32) HOLDDOWN	132
1	21068-5	NUT, HEX MACH (6-32) HOLDDOWN	131
1	21068-5	NUT, HEX MACH (6-32) HOLDDOWN	130
1	21068-5	NUT, HEX MACH (6-32) HOLDDOWN	129
1	21068-5	NUT, HEX MACH (6-32) HOLDDOWN	128
1	21068-5	NUT, HEX MACH (6-32) HOLDDOWN	127
1	21068-5	NUT, HEX MACH (6-32) HOLDDOWN	126
1	21068-5	NUT, HEX MACH (6-32) HOLDDOWN	125
1	21068-5	NUT, HEX MACH (6-32) HOLDDOWN	124
1	21068-5	NUT, HEX MACH (6-32) HOLDDOWN	123
1	21068-5	NUT, HEX MACH (6-32) HOLDDOWN	122
1	21068-5	NUT, HEX MACH (6-32) HOLDDOWN	121
1	21068-5	NUT, HEX MACH (6-32) HOLDDOWN	120
1	21068-5	NUT, HEX MACH (6-32) HOLDDOWN	119
1	21068-5	NUT, HEX MACH (6-32) HOLDDOWN	118
1	21068-5	NUT, HEX MACH (6-32) HOLDDOWN	117
1	21068-5	NUT, HEX MACH (6-32) HOLDDOWN	116
1	21068-5	NUT, HEX MACH (6-32) HOLDDOWN	115
1	21068-5	NUT, HEX MACH (6-32) HOLDDOWN	114
1	21068-5	NUT, HEX MACH (6-32) HOLDDOWN	113
1	21068-5	NUT, HEX MACH (6-32) HOLDDOWN	112
1	21068-5	NUT, HEX MACH (6-32) HOLDDOWN	111
1	21068-5	NUT, HEX MACH (6-32) HOLDDOWN	110
1	21068-5	NUT, HEX MACH (6-32) HOLDDOWN	109
1	21068-5	NUT, HEX MACH (6-32) HOLDDOWN	108
1	21068-5	NUT, HEX MACH (6-32) HOLDDOWN	107
1	21068-5	NUT, HEX MACH (6-32) HOLDDOWN	106
1	21068-5	NUT, HEX MACH (6-32) HOLDDOWN	105
1	21068-5	NUT, HEX MACH (6-32) HOLDDOWN	104
1	21068-5	NUT, HEX MACH (6-32) HOLDDOWN	103
1	21068-5	NUT, HEX MACH (6-32) HOLDDOWN	102
1	21068-5	NUT, HEX MACH (6-32) HOLDDOWN	101
1	21068-5	NUT, HEX MACH (6-32) HOLDDOWN	79
1	21068-5	NUT, HEX MACH (6-32) HOLDDOWN	78
1	21068-5	NUT, HEX MACH (6-32) HOLDDOWN	77
1	21068-5	NUT, HEX MACH (6-32) HOLDDOWN	76
1	21068-5	NUT, HEX MACH (6-32) HOLDDOWN	75
1	21068-5	NUT, HEX MACH (6-32) HOLDDOWN	74
1	21068-5	NUT, HEX MACH (6-32) HOLDDOWN	73
1	21068-5	NUT, HEX MACH (6-32) HOLDDOWN	72
1	21068-5	NUT, HEX MACH (6-32) HOLDDOWN	71
1	21068-5	NUT, HEX MACH (6-32) HOLDDOWN	70
1	21068-5	NUT, HEX MACH (6-32) HOLDDOWN	69
1	21068-5	NUT, HEX MACH (6-32) HOLDDOWN	68
1	21068-5	NUT, HEX MACH (6-32) HOLDDOWN	67
1	21068-5	NUT, HEX MACH (6-32) HOLDDOWN	66
1	21068-5	NUT, HEX MACH (6-32) HOLDDOWN	65
1	21068-5	NUT, HEX MACH (6-32) HOLDDOWN	64
1	21068-5	NUT, HEX MACH (6-32) HOLDDOWN	63
1	21068-5	NUT, HEX MACH (6-32) HOLDDOWN	62
1	21068-5	NUT, HEX MACH (6-32) HOLDDOWN	61
1	21068-5	NUT, HEX MACH (6-32) HOLDDOWN	60
1	21068-5	NUT, HEX MACH (6-32) HOLDDOWN	59
1	21068-5	NUT, HEX MACH (6-32) HOLDDOWN	58
1	21068-5	NUT, HEX MACH (6-32) HOLDDOWN	57
1	21068-5	NUT, HEX MACH (6-32) HOLDDOWN	56
1	21068-5	NUT, HEX MACH (6-32) HOLDDOWN	55
1	21068-5	NUT, HEX MACH (6-32) HOLDDOWN	54
1	21068-5	NUT, HEX MACH (6-32) HOLDDOWN	53
1	21068-5	NUT, HEX MACH (6-32) HOLDDOWN	52
1	21068-5	NUT, HEX MACH (6-32) HOLDDOWN	51
1	21068-5	NUT, HEX MACH (6-32) HOLDDOWN	50
1	21068-5	NUT, HEX MACH (6-32) HOLDDOWN	49
1	21068-5	NUT, HEX MACH (6-32) HOLDDOWN	48
1	21068-5	NUT, HEX MACH (6-32) HOLDDOWN	47
1	21068-5	NUT, HEX MACH (6-32) HOLDDOWN	46
1	21068-5	NUT, HEX MACH (6-32) HOLDDOWN	45
1	21068-5	NUT, HEX MACH (6-32) HOLDDOWN	44
1	21068-5	NUT, HEX MACH (6-32) HOLDDOWN	43
1	21068-5	NUT, HEX MACH (6-32) HOLDDOWN	42
1	21068-5	NUT, HEX MACH (6-32) HOLDDOWN	41
1	21068-5	NUT, HEX MACH (6-32) HOLDDOWN	40
1	21068-5	NUT, HEX MACH (6-32) HOLDDOWN	39
1	21068-5	NUT, HEX MACH (6-32) HOLDDOWN	38
1	21068-5	NUT, HEX MACH (6-32) HOLDDOWN	37
1	21068-5	NUT, HEX MACH (6-32) HOLDDOWN	36
1	21068-5	NUT, HEX MACH (6-32) HOLDDOWN	35
1	21068-5	NUT, HEX MACH (6-32) HOLDDOWN	34
1	21068-5	NUT, HEX MACH (6-32) HOLDDOWN	33
1	21068-5	NUT, HEX MACH (6-32) HOLDDOWN	32
1	21068-5	NUT, HEX MACH (6-32) HOLDDOWN	31
1	21068-5	NUT, HEX MACH (6-32) HOLDDOWN	30
1	21068-5	NUT, HEX MACH (6-32) HOLDDOWN	29
1	21068-5	NUT, HEX MACH (6-32) HOLDDOWN	28
1	21068-5	NUT, HEX MACH (6-32) HOLDDOWN	27
1	21068-5	NUT, HEX MACH (6-32) HOLDDOWN	26
1	21068-5	NUT, HEX MACH (6-32) HOLDDOWN	25
1	21068-5	NUT, HEX MACH (6-32) HOLDDOWN	24
1	21068-5	NUT, HEX MACH (6-32) HOLDDOWN	23
1	21068-5	NUT, HEX MACH (6-32) HOLDDOWN	22
1	21068-5	NUT, HEX MACH (6-32) HOLDDOWN	21
1	21068-5	NUT, HEX MACH (6-32) HOLDDOWN	20
1	21068-5	NUT, HEX MACH (6-32) HOLDDOWN	19
1	21068-5	NUT, HEX MACH (6-32) HOLDDOWN	18
1	21068-5	NUT, HEX MACH (6-32) HOLDDOWN	17
1	21068-5	NUT, HEX MACH (6-32) HOLDDOWN	16
1	21068-5	NUT, HEX MACH (6-32) HOLDDOWN	15
1	21068-5	NUT, HEX MACH (6-32) HOLDDOWN	14
1	21068-5	NUT, HEX MACH (6-32) HOLDDOWN	13
1	21068-5	NUT, HEX MACH (6-32) HOLDDOWN	12
1	21068-5	NUT, HEX MACH (6-32) HOLDDOWN	11
1	21068-5	NUT, HEX MACH (6-32) HOLDDOWN	10
1	21068-5	NUT, HEX MACH (6-32) HOLDDOWN	9
1	21068-5	NUT, HEX MACH (6-32) HOLDDOWN	8
1	21068-5	NUT, HEX MACH (6-32) HOLDDOWN	7
1	21068-5	NUT, HEX MACH (6-32) HOLDDOWN	6
1	21068-5	NUT, HEX MACH (6-32) HOLDDOWN	5
1	21068-5	NUT, HEX MACH (6-32) HOLDDOWN	4
1	21068-5	NUT, HEX MACH (6-32) HOLDDOWN	3
1	21068-5	NUT, HEX MACH (6-32) HOLDDOWN	2
1	21068-5	NUT, HEX MACH (6-32) HOLDDOWN	1

466950-2