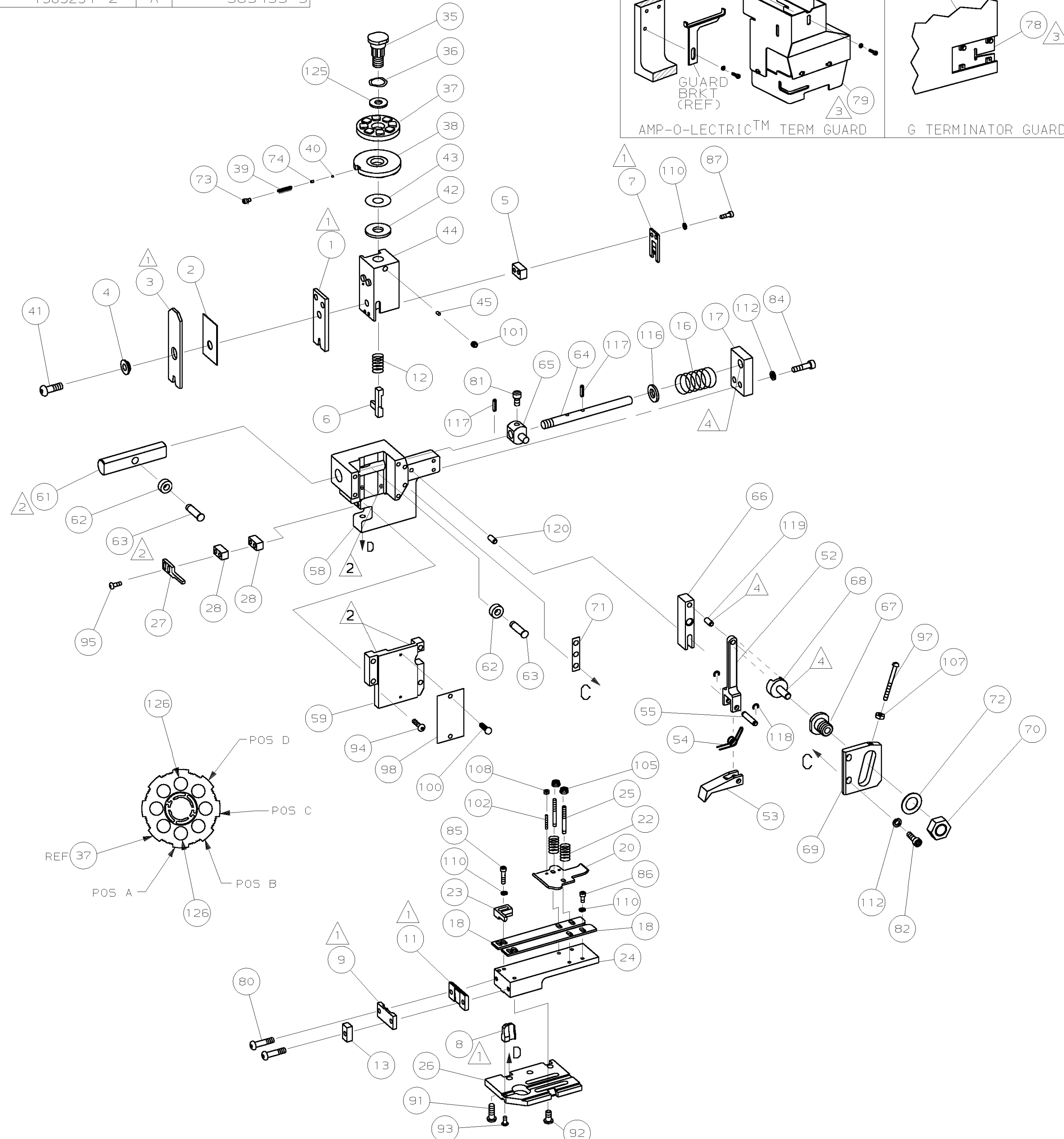
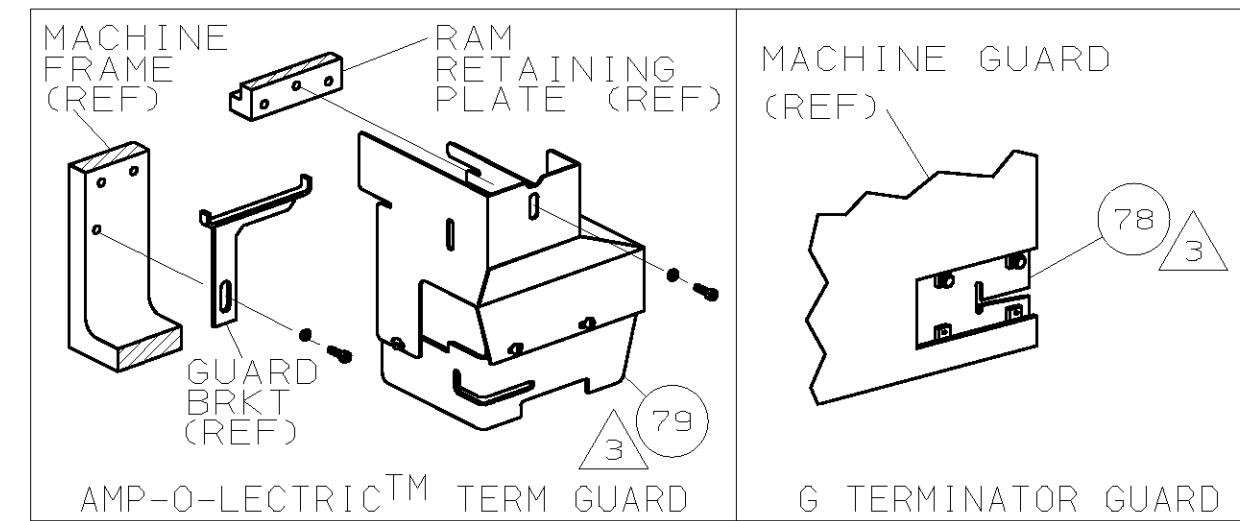


PART NUMBER	REV	FIRST USED
1385254-1	A	122500-1
1385254-2	A	565435-5



TERMINAL NAME: TERMINAL, FEMALE					
AMP PN	MFR PN	SUMIKO TERMINAL	CUST CRIMP SPECS		
PAD LTR	CRIMP HEIGHT	WIRE SIZE			
286944	425072-9	A	.051 ±.002 [1.30 ±0.05mm]	20	
		B	NOT	USED	
		C	NOT	USED	
		D	NOT	USED	
CRIMP	SIZE	TYPE	RANGE		
WIRE	.100 [2.54mm]	F	20		
INSUL	.100 [2.54mm]	F	φ.090 MAX		
WIRE STRIP LENGTH	TERM APPL SPEC	FEED	APPL INSTRUCTION	SET UP GAGE	LAYOUT
.125-.141	NONE	.844	408-8039	458638-1	L2523

					129	
					128	
					127	
2	2	-	C	1-354779-9	PIN, WIRE DISC (,3085)A	126
1	1	-	A	986950-1	WASHER, FLAT PRECISION	125
1	1	-	A	217238-1	GENERAL INSTRUCTION PACKAGE	124
1	1	-	-	4088039	EF APPL INST 408-8039	123
					122	
					121	
REF	REF	-	A	1-21030-7	PIN, DOWEL (φ.187x1.50) H56	120
REF	REF	-	A	1-21030-1	PIN, DOWEL (φ.187x.50) LEVER	119
REF	REF	-	A	21045-3	RING, RET "C" (φ.187) FD PIN	118
REF	REF	-	A	5-21028-1	PIN, STD SPRING (φ.12) FD ADJ ROD	117
REF	REF	-	A	21899-4	WASHER, FLAT (φ5/16) SCR ADJ	116
					115	
					114	
					113	
REF	REF	-	A	21024-5	WASHER, LOCK (NO.10) FD ROD GDE	112
					111	
7	7	-	A	21024-4	WASHER, LOCK (NO.8) SHEAR BL	110
					109	
2	2	-	A	21018-4	NUT, HEX (4-40) DRAG	108
REF	REF	-	A	21018-5	NUT, HEX (6-32) FD ADJ PL	107
					106	
2	2	-	A	21022-2	NUT, HEX SL (8-32) DRAG STUD	105
					104	
					103	
2	2	-	A	2-21006-6	SCR, SKT SET (4-40x.62) DRAG	102
1	1	-	A	21009-2	SCR, SKT SET (1/4-20x.25) RAM	101
2	2	-	A	21017-2	SCR, DRIVE (#2x.19) ID PLATE	100
1	1	-	A	1-21002-7	SCR, BHC (6-32x.38) CAM	99
1	1	-	B	461264-1	PLATE, IDENTIFICATION	98
REF	REF	-	A	6-23715-5	SCR, PAN HD (8-32x1.50) FEED ADJ	97
					96	
2	2	-	A	2-21002-2	SCR, BHC (8-32x.50) STRIPPER	95
REF	REF	-	A	2-21002-9	SCR, BHC (10-32x.75) H56 CAP	94
1	1	-	A	22733-8	SCR, BHC (8-32x.38 LW) ANVIL	93
4	4	-	A	3-21002-3	SCR, BHC (1/4-20x.50) ST 6D PL	92
REF	REF	-	A	2-22733-8	SCR, BHC (1/4-20x.62) BASE PL	91
					90	
					89	
					88	
2	2	-	A	2-21000-8	SCR, SHC (8-32x.62) SLUG BLADE	87
3	3	-	A	2-21000-6	SCR, SHC (8-32x.38) STRIP GUIDE	86
2	2	-	A	2-21000-9	SCR, SHC (8-32x.75) R STRIP GUIDE	85
REF	REF	-	A	3-21000-7	SCR, SHC (10-32x.75) FEED ROD GDE	84
					83	
REF	REF	-	A	3-21000-6	SCR, SHC (10-32x.62) FEED ADJ PL	82
REF	REF	-	A	3-21000-4	SCR, SHC (10-32x.38) PIVOT BLOCK	81
2	2	-	A	3-21002-0	SCR, BHC (10-32x.88) SHEAR PL	80
REF	-	-	A	455745-1	GUARD, WINDOW	79
-	REF	-	A	679532-1	INSERT, GUARD	78
					77	
					76	
					75	
1	1	-	A	690603-1	SPRING, ASSIST	74
1	1	-	A	23030-1	SCR, SKT CAP (6-32x.25) CP DSC	73
REF	REF	-	A	458109-1	WASHER, FLAT (SPECIAL)	72
REF	REF	-	A	690517-1	SPACER	71
					70	
					69	
					68	
					67	
					66	
					65	
					64	
					63	
					62	
					61	
					60	
					59	
					58	
					57	
					56	
					55	
					54	
					53	
					52	
					51	
					50	
					49	
1	-	-	B	690501-3	CAM, POST FEED 1 1/8 ST	48
-	1	-	B	690501-4	CAM, POST-FEED 1 5/8 ST	47
					46	
1	1	-	A	690191-1	PLUG, NYLON	45
1	1	-	C	455674-1	RAM	44
1	1	-	A	690125-1	WASHER, LAMINATED	43
1	1	-	A	690124-1	WASHER, RAM	42
1	1	-	A	7-21002-9	BOLT, CRIMPER (5/16-24x1.00)	41
1	1	-	A	23241-6	BALL, STEEL	40
1	1	-	A	690170-1	SPRING, COMPRESSION	39
1	1	-	C	1-690142-0	DISC, INSULATION	38
1	1	-	D	354777-1	WIRE DISC, PLASTIC	37
1	1	-	A	22480-5	WASHER, SPRING	36
1	1	-	B	690212-1	POST, RAM	35
					34	
					33	
1	1	-	D	458980-1	APPLICATOR, BASIC (SUB ASSY)	32
					31	
					30	
1	1	-	B	3-690451-2	SPACER, STRIPPER	29
1	1	-	B	1-690451-1	SPACER, STRIPPER	28
1	1	-	A	240639-2	STRIPPER	27
REF	REF	-	C	455676-1	PLATE, BASE	26
2	2	-	A	22354-8	DRAG, STUD	25
1	1	-	B	458803-5	PLATE, STRIP GUIDE	24
1	1	-	C	240825-9	PLATE, STRIP HOLD DOWN	23
2	2	-	A	4-22281-1	SPRING, DRAG	22
					21	
1	1	-	A	454177-1	DRAG, STOCK	20
1	1	-	D	4-458030-2	GUIDE, STRIP (REAR)	19
1	1	-	D	4-458031-2	GUIDE, STRIP (FRONT)	18
REF	REF	-	A	454178-1	GUIDE, FEED ROD	17
REF	REF	-	A	4-22284-9	SPRING, FEED RETURN	16
					15	
					14	
1	1	-	C	690481-2	SPACER, HOLD DOWN	13
1	1	-	A	23846-1	SPRING, HOLD DOWN	12
1	1	-	B	240833-4	PLATE, REAR SHEAR	11
					10	
1	1	-	B	1-690496-3	PLATE, FRONT SHEAR	9
1	1	-	D	8-240654-1	ANVIL	8
1	1	-	B	1-690474-1	BLADE, SLUG	7
1	1	-	D	2-455892-4	HOLD DOWN, TERMINAL	6
1	1	-	C	1-240641-5	SPACER, SLUG BLADE	5
1	1	-	B	1-238009-4	SPACER, BLOCK CRIMPER	4
1	1	-	C	4-456134-8	CRIMPER, INSULATION	3
1	1	-	B	455888-7	SPACER, CRIMPER	2
1	1	-	C	456407-1	CRIMPER, WIRE	1

-1		LEADMAKER & BENCH MODEL G	MECH POST FEED			
-2		BENCH MODEL K	MECH POST FEED			
REF	REF	-	A	22594-8	NUT, HEX	70
REF	REF	-	B	240628-1	PLATE, ADJ	69
REF	REF	-	B	240626-1	SHAFT, PIVOT	68
REF	REF	-	B	240633-1	BUSHING	67
REF	REF	-	A	455680-1	LEVER, INTERMEDIATE	66
REF	REF	-	B	240629-1	BLOCK, PIVOT	65
REF	REF	-	A	240632-2	SCR, ADJ	64
REF	REF	-	B	240659-3	PIN, CAM ROLLER	63
REF	REF	-	B	240658-1	CAM, ROLLER	62
REF	REF	-	B	454398-1	ROD, FEED	61
					60	
REF	REF	-	C	454220-1	CAP, RAM	59
REF	REF	-	D	453736-1	HOUSING	58
					57	
					56	
REF	REF	-	B	240624-1	PIN, FEED FINGER	55
REF	REF	-	B	691499-1	SPRING, FEED FINGER	54
REF	REF	-	B	240635-1	FINGER, FEED	53
REF	REF	-	B	240634-1	LEVER, TERMINAL	52
					51	
					50	
					49	
1	-	-	B	690501-3	CAM, POST FEED 1 1/8 ST	48
-	1	-	B	690501-4	CAM, POST-FEED 1 5/8 ST	47
					46	
1	1	-	A	690191-1	PLUG, NYLON	45
1	1	-	C	455674-1	RAM	44
1	1	-	A	690125-1	WASHER, LAMINATED	43
1	1	-	A	690124-1	WASHER, RAM	42
1	1	-	A	7-21002-9	BOLT, CRIMPER (5/16-24x1.00)	41
1	1	-	A	23241-6	BALL, STEEL	40
1	1	-	A	690170-1	SPRING, COMPRESSION	39
1	1	-	C	1-690142-0	DISC, INSULATION	38
1	1	-	D	354777-1	WIRE DISC, PLASTIC	37
1	1	-	A	22480-5	WASHER, SPRING	36
1	1	-	B	690212-1	POST, RAM	35
					34	
					33	
1	1	-	D	458980-1	APPLICATOR, BASIC (SUB ASSY)	32
					31	
					30	
1	1	-	B	3-690451-2	SPACER, STRIPPER	29
1	1	-	B	1-690451-1	SPACER, STRIPPER	28
1	1	-	A	240639-2	STRIPPER	27
REF	REF	-	C	455676-1	PLATE, BASE	26
2	2	-	A	22354-8	DRAG, STUD	25
1	1	-	B	458803-5	PLATE, STRIP GUIDE	24
1	1	-	C	240825-9	PLATE, STRIP HOLD DOWN	23
2	2	-	A	4-22281-1	SPRING, DRAG	22
					21	
1	1	-	A	454177-1	DRAG, STOCK	20
1	1	-	D	4-458030-2	GUIDE, STRIP (REAR)	19
1	1	-	D	4-458031-2	GUIDE, STRIP (FRONT)	18
REF	REF	-	A	454178-1	GUIDE, FEED ROD	17
REF	REF	-	A	4-22284-9	SPRING, FEED RETURN	16
					15	
					14	
1	1	-	C	690481-2	SPACER, HOLD DOWN	13
1	1	-	A	23846-1	SPRING, HOLD DOWN	12
1	1	-	B	240833-4	PLATE, REAR SHEAR	11
					10	
1	1	-	B	1-690496-3	PLATE, FRONT SHEAR	9
1	1	-	D	8-240654-1	ANVIL	8
1	1	-	B	1-690474-1	BLADE, SLUG	7
1	1	-	D	2-455892-4	HOLD DOWN, TERMINAL	6
1	1	-	C	1-240641-5	SPACER, SLUG BLADE	5
1	1	-	B	1-238009-4	SPACER, BLOCK CRIMPER	4
1	1	-	C	4-456134-8	CRIMPER, INSULATION	3
1	1	-	B	455888-7	SPACER, CRIMPER	2
1	1	-	C	456407-1	CRIMPER, WIRE	1

QTY	RECD PER ASSY	U/M	DWG SIZE	PART NO	DESCRIPTION	ITEM NO
1	1	-	A	690603-1	SPRING, ASSIST	74
1	1	-	A	23030-1	SCR, SKT CAP (6-32x.25) CP DSC	73
REF	REF	-	A	458109-1	WASHER, FLAT (SPECIAL)	72
REF	REF	-	A	690517-1	SPACER	71
					70	
					69	
					68	
					67	
					66	
					65	
					64	
					63	
					62	
					61	
					60	
					59	
					58	
					57	
					56	
					55	
					54	