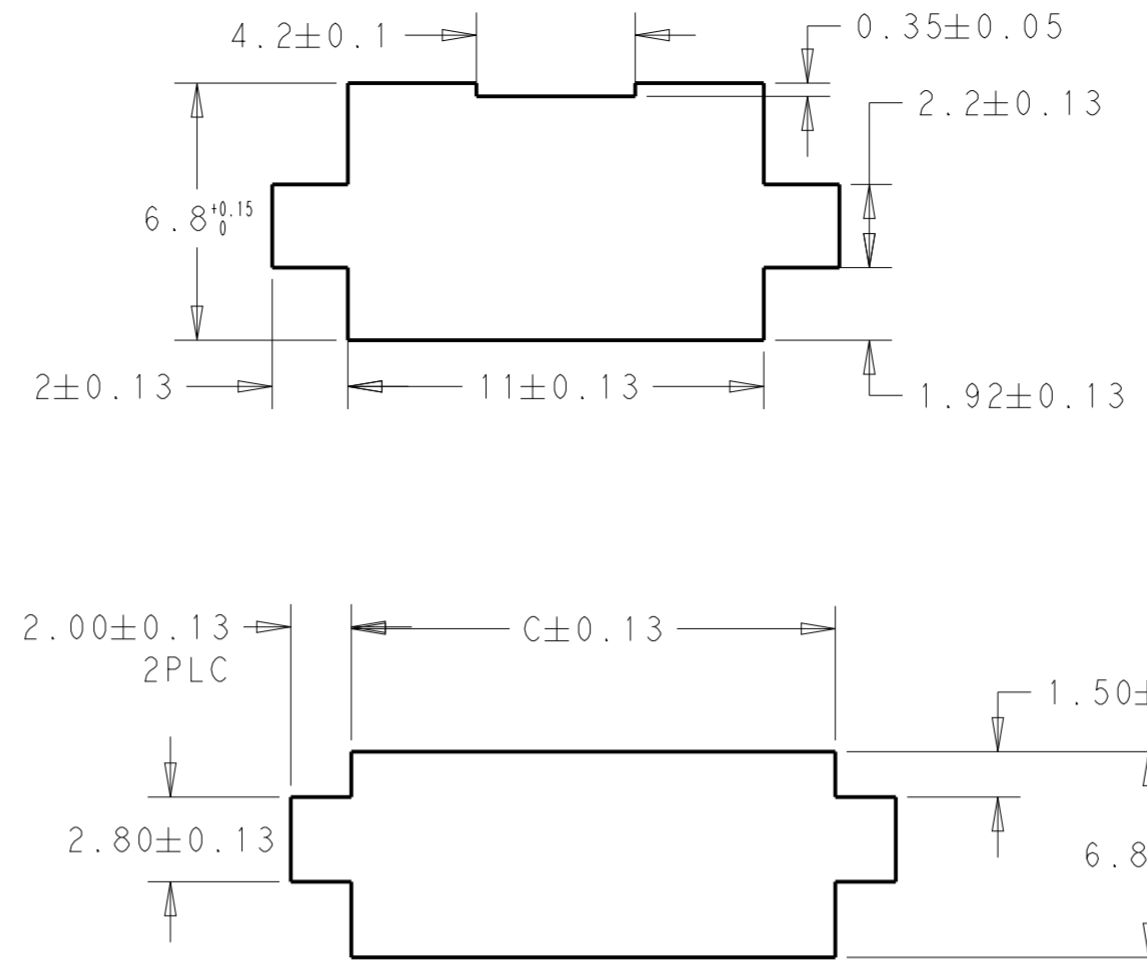
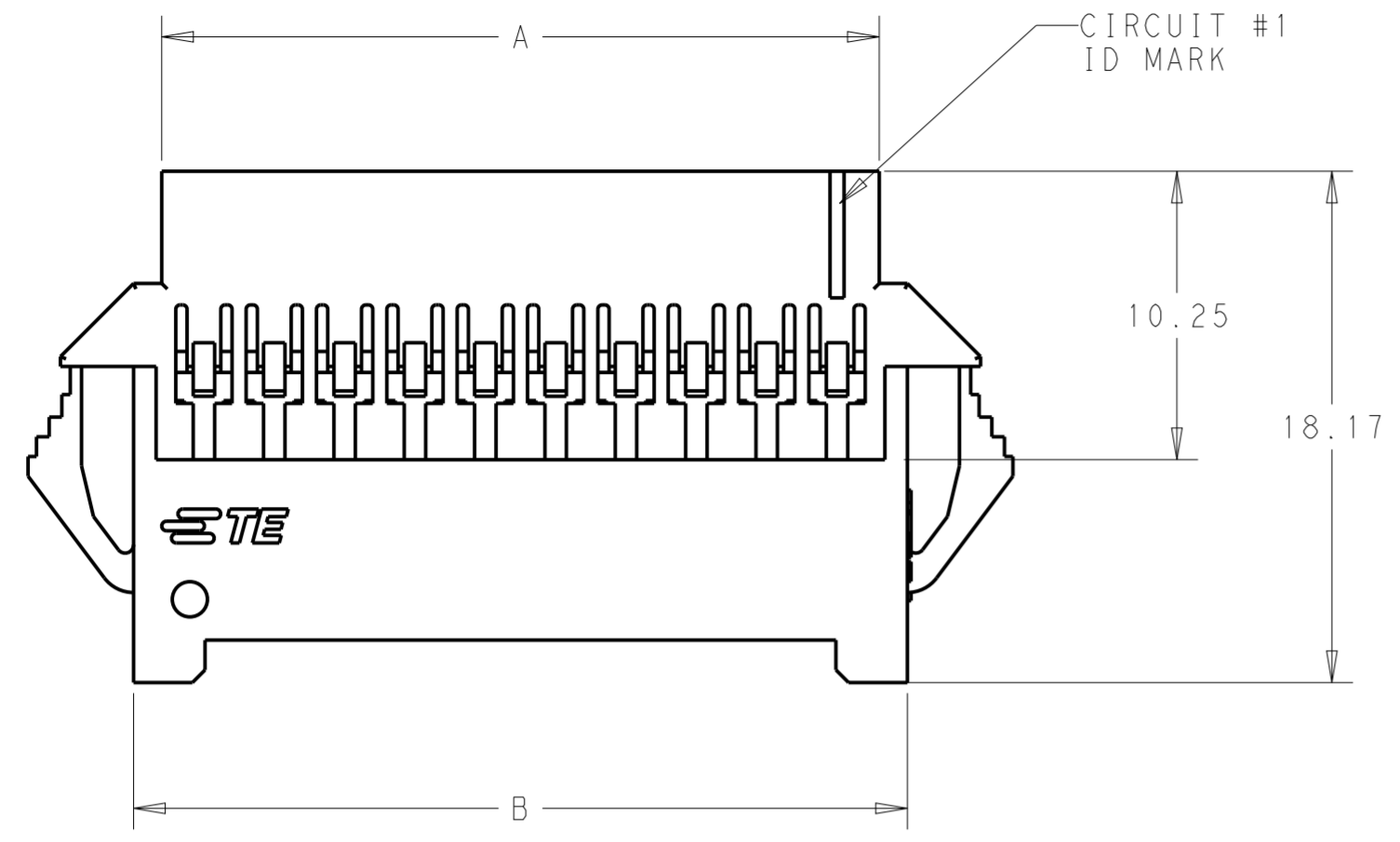
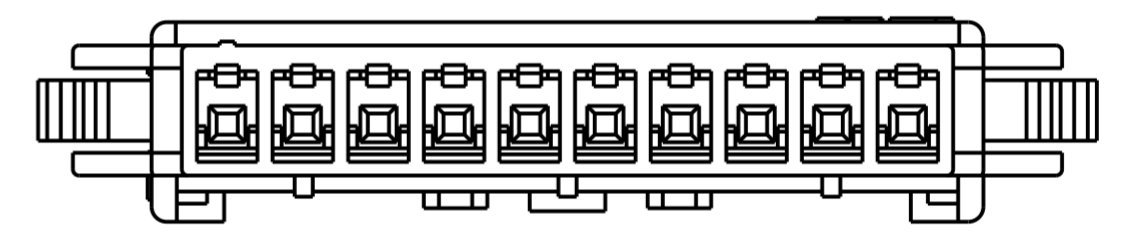
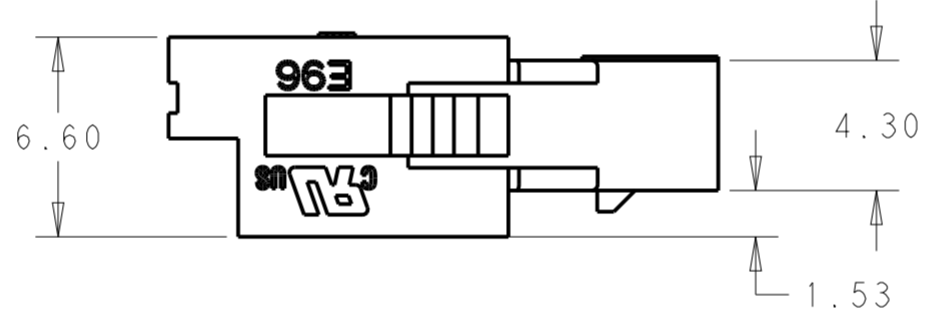
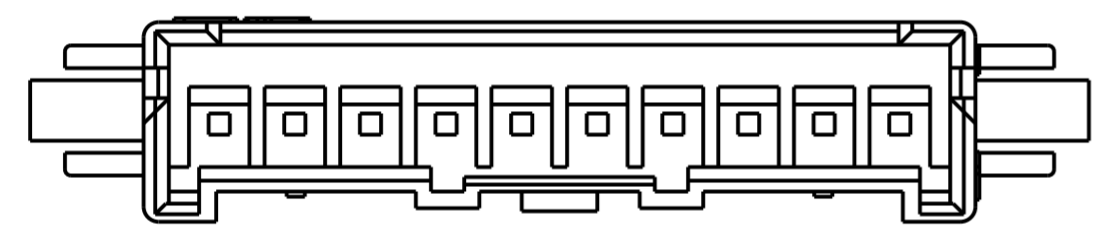


THIS DRAWING IS UNPUBLISHED. RELEASED FOR PUBLICATION 20
 © COPYRIGHT 20 BY - ALL RIGHTS RESERVED.

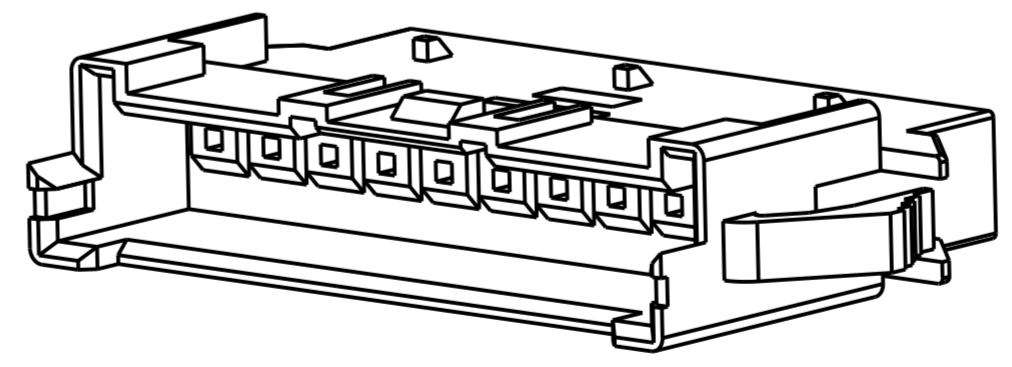
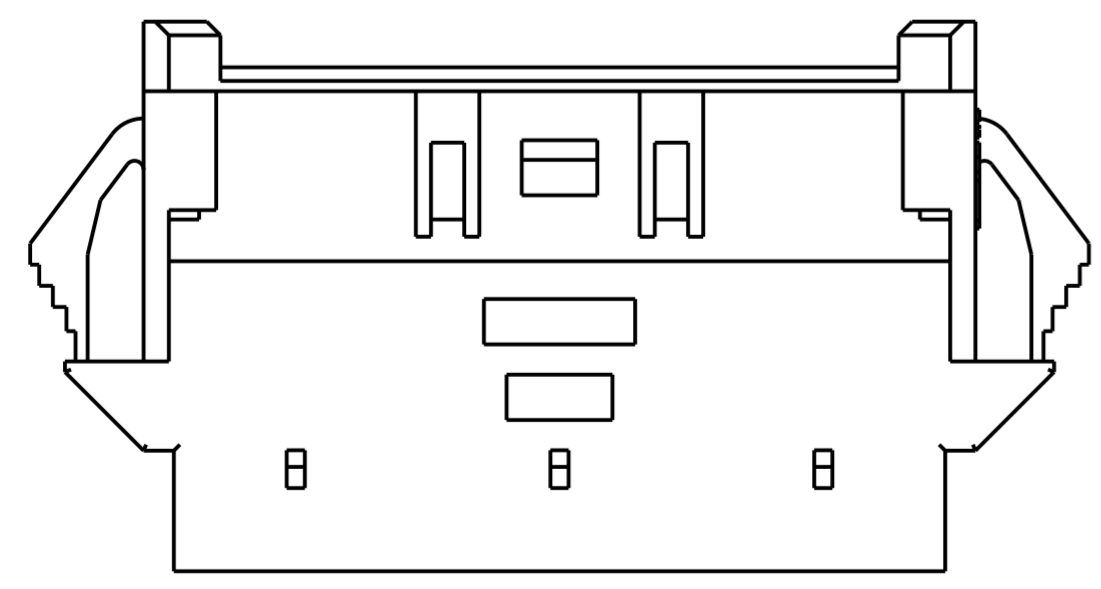
REVISIONS							
LOC	DIST	P	LTR	DESCRIPTION	DATE	DWN	APVD
-	-	B3		REVISED PER ECR-21-101173	12APR2021	SS	WH



- 1 MATERIAL: NYLON UL94 - V0
COLOR: NATURAL
- 2. ACCEPTS TE PIN CONTACTS
P/N'S 2238007-()
- 3. HOUSING ACCEPTS OPTIONAL TPA
P/N'S 1969443-()
- 4. MATES WITH TE PLUG HOUSINGS
P/N'S 1969442-()
- 5 PRELIMINARY - NOT FOR PRODUCTION.



6 TO 15 POSITION
 1744501-6 TO 1-1744501-5



15	41.00	40.00	38.00	3-1969590-5	1-1969590-5
14	38.50	37.50	35.50	3-1969590-4	1-1969590-4
13	34.00	35.00	33.00	3-1969590-3	1-1969590-3
12	33.50	32.50	30.50	3-1969590-2	1-1969590-2
11	31.00	30.00	28.00	3-1969590-1	1-1969590-1
10	28.50	27.50	25.50	3-1969590-0	1-1969590-0
9	26.00	25.00	23.00	2-1969590-9	1969590-9
8	23.50	22.50	20.50	2-1969590-8	1969590-8
7	21.00	20.00	18.00	2-1969590-7	1969590-7
6	18.50	17.50	15.50	2-1969590-6	1969590-6
5	16.00	15.00	13.00	2-1969590-5	1969590-5
4	13.50	12.50	10.50	2-1969590-4	1969590-4
3	11.00	10.00	8.00	2-1969590-3	1969590-3
2	8.50	7.50	5.50	2-1969590-2	1969590-2
POS	DIM.C	DIM.B	DIM.A	PART NO. (BLANK)	PART NO. (NATURAL)

THIS DRAWING IS A CONTROLLED DOCUMENT.

DIMENSIONS:	TOLERANCES UNLESS OTHERWISE SPECIFIED:	DWN	28SEP2012
mm	0 PLC ±	CHK	01OCT2012
	1 PLC ±	K RANDOLPH	
	2 PLC ±0.20	APVD	01OCT2012
	3 PLC ±	K RANDOLPH	
	4 PLC ±	PRODUCT SPEC	
	ANGLES ±	108-2418	
	FINISH ±	APPLICATION SPEC	
MATERIAL		114-13315	
		WEIGHT	
		Customer Drawing	

STC TE Connectivity

NAME: ECONOMY POWER 2.5, HOUSING WIRE TO WIRE, WITH PANEL MOUNTS

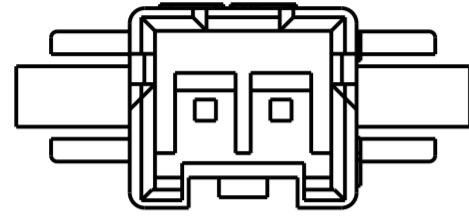
SIZE: A2 CAGE CODE: 00779 DRAWING NO: C-1969590 RESTRICTED TO: -

SCALE: N/A SHEET 1 OF 2 REV B3

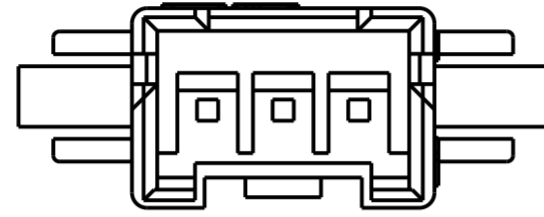
THIS DRAWING IS UNPUBLISHED. RELEASED FOR PUBLICATION 20
 © COPYRIGHT 20 BY - ALL RIGHTS RESERVED.

LOC		DIST		REVISIONS			
P	LTR	DESCRIPTION	DATE	DWN	APVD		
-	-	SEE SHEET 1	-	-	-		

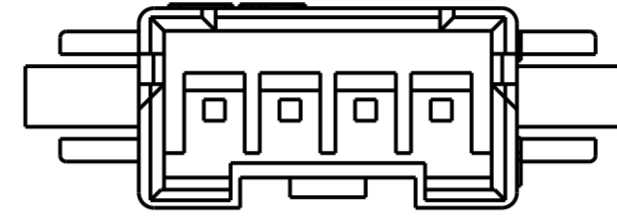
2 POSITION
1969590-2



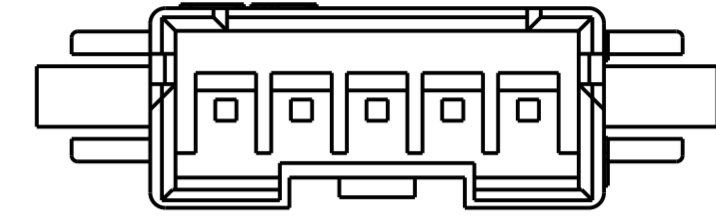
3 POSITION
1969590-3



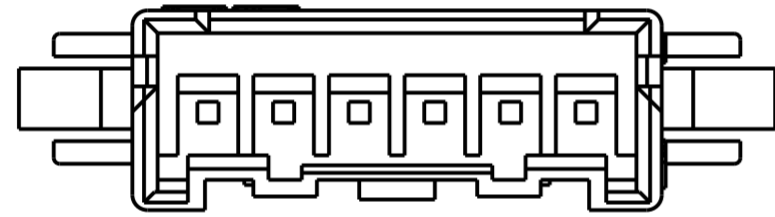
4 POSITION
1969590-4




5 POSITION
1969590-5



6-15 POSITION
1969590-6 TO 1-1969590-5



THIS DRAWING IS A CONTROLLED DOCUMENT.		DWN A. NOEL 28SEP2012	 TE Connectivity		
DIMENSIONS: mm		CHK K. RANDOLPH 01OCT2012			
TOLERANCES UNLESS OTHERWISE SPECIFIED:		APVD K. RANDOLPH 01OCT2012			
0 PLC ±- 1 PLC ±- 2 PLC ±0.20 3 PLC ±- 4 PLC ±- ANGLES ±- FINISH		PRODUCT SPEC 108-2418 APPLICATION SPEC 114-13315 WEIGHT -			
MATERIAL 1		NAME ECONOMY POWER 2.5, HOUSING WIRE TO WIRE, WITH PANEL MOUNTS	SIZE A200779	DRAWING NO C-1969590	RESTRICTED TO -
Customer Drawing			SCALE N/A	SHEET 2	OF 2
			REV B3		