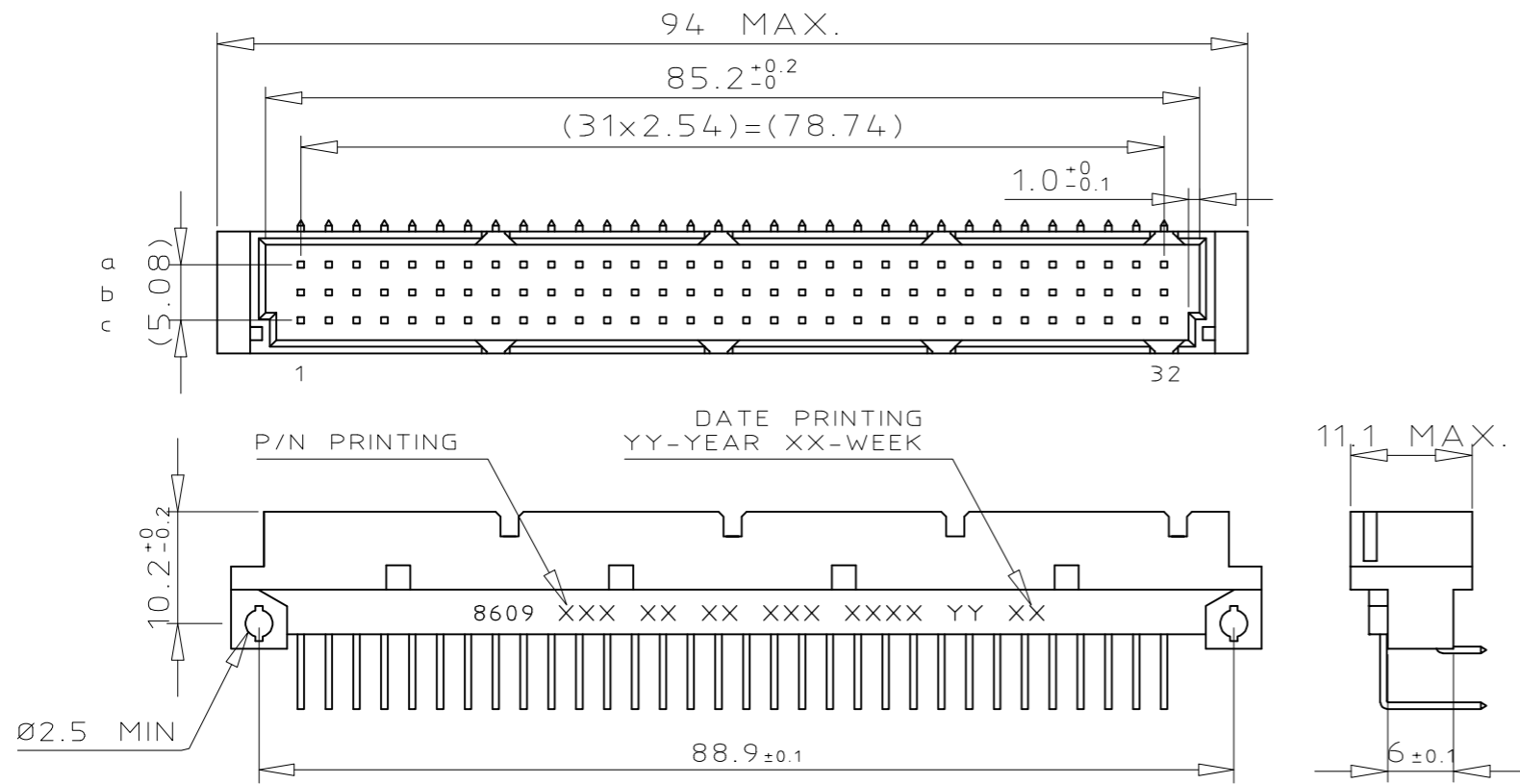
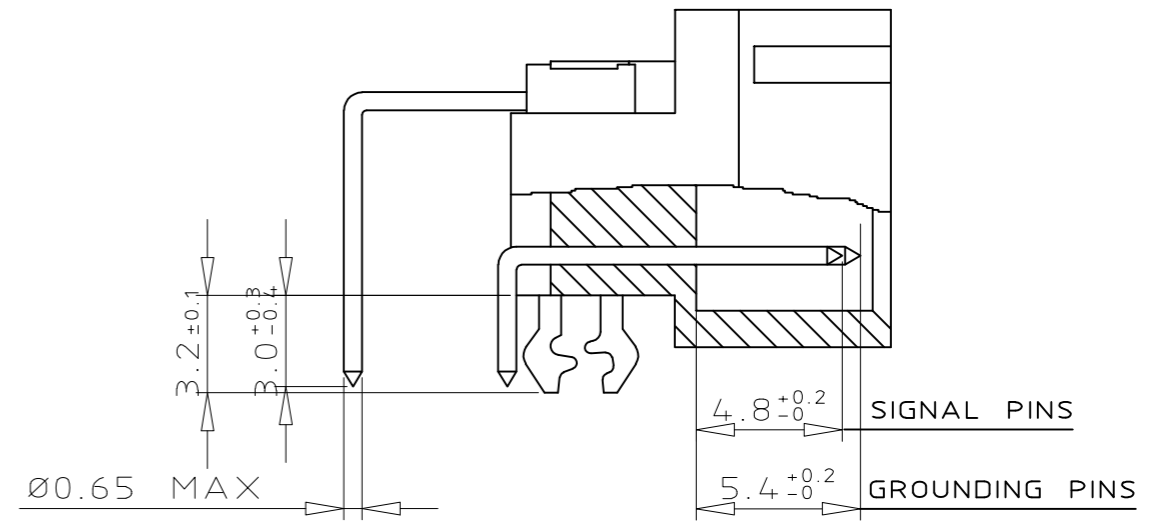


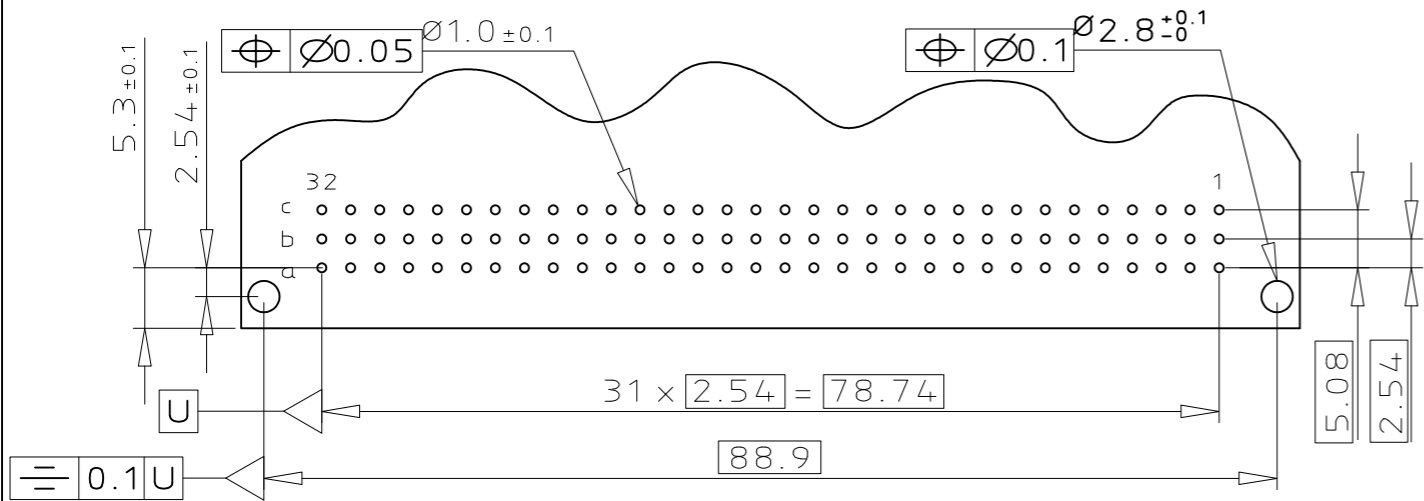
# DIMENSIONS



# TERMINATION



# PCB LAYOUT



# ORDERING INFORMATION

SERIES	8609	4	38	7	1	13	7	5	0	TFLF
ROWS FITTED WITH CONTACTS										
ROW a - c	4									
NO. OF CONTACTS	38									
TYPE OF INSULATOR	3 ROW MALE INSULATOR									
METHOD OF MOUNTING	STANDARD MOUNTING - STYLE C									
TERMINATION	ANGLED SPILL									
OPTIONS	NO OPTION									
PERFORMANCE CLASS	DIN 41612 CLASS 3									
PITCH PER ROW	MIXED PITCH									
LEAD FREE VERSION SPL CONTACTS LOADING	TFLF									

# CONTACT ARRANGEMENT

	1	2	3	4	5	6	7	8	9	10	11	12	13	14	15	16	17	18	19	20	21	22	23	24	25	26	27	28	29	30	31	32
a	X	X	X	X	X	X	X	X	X	X	X	X	X	X	X	X	X	X	X	X	X	X	X	X	X	X	X	X	X	X	X	X
b																																
c	X	X	X	X	X	X	X	X	X	X	X	X	X	X	X	X	X	X	X	X	X	X	X	X	X	X	X	X	X	X	X	

STANDARD CONTACT  
  EMPTY CAVITY  
  FMLB CONTACT  
  LMEB CONTACT

GENERAL CHARACTERISTICS & RoHS INFO  
REFER DRAWING C-8609-0000A

mat'l. code	surface	tolerance	projection	product family
SEE DRAWING C-8609-0000A	ISO 1302 ✓	ISO 406 ISO 1101		8609
ltr	ecn	no	dr	date
A	109-0064	KR	2009-04-21	2009-04-21
B	ELX-I-41830	SA	2021-07-24	2021-07-24
tolerances unless otherwise specified		angles	linear	0.X ±0.1
		0°±2°		0.XX ±0.1
				0.XXX ±0.1
dr	KESAVAN R	2009-04-21	Amphenol FCI	
enr	KESAVAN R	2009-04-21	dwg no	
chr	M JACOB	2021-07-24	sheet 1 of 1 size	
appd	SANOJ	2021-07-24	C-8609-2188 A3	
sheet index	revision	B	type Product Customer Drawing	
	sheet	1		