

2822638-1 ✓ ACTIVE



Econoseal

TE Internal #: 2822638-1

Housing for Female Terminals, Wire-to-Wire, 12 Position, .189 in [4.8 mm] Centerline, Sealable, Black, Signal, Cable Mount (Free-Hanging), Econoseal

[View on TE.com >](#)

Connectors > Automotive Connectors > Automotive Housings > ECONOSEAL, CONNECTOR HOUSING



Connector & Housing Type: **Housing for Female Terminals**

Mating Tab Width: **1.8 mm [.071 in]**

Connector System: **Wire-to-Wire**

Number of Positions: **12**

Centerline (Pitch): **4.8 mm [.189 in]**

[All ECONOSEAL, CONNECTOR HOUSING \(108\)](#)

Features

Product Type Features

Connector Shape	Rectangular
Connector & Housing Type	Housing for Female Terminals
Connector System	Wire-to-Wire
Sealable	Yes
Hybrid Connector	No
Primary Locking Feature	Integrated in Housing

Configuration Features

Number of Positions	12
Number of Rows	2

Body Features

Cable Exit Angle	180°
Primary Product Color	Black



Contact Features

Contact Size	1.8mm
Contact Type	Receptacle
Mating Tab Width	1.8 mm[.071 in]

Mechanical Attachment

Terminal Position Assurance	No
Strain Relief	Without
Mating Alignment Type	Polarization Slot
Mating Alignment	With
Connector Mounting Type	Cable Mount (Free-Hanging)

Housing Features

Housing Material	PBT
Centerline (Pitch)	4.8 mm[.189 in]

Dimensions

Connector Height	27.6 mm[1.08 in]
Product Width	33.2 mm[1.31 in]
Product Length	40.6 mm[1.6 in]
Row-to-Row Spacing	5.6 mm[.22 in]

Usage Conditions

Operating Temperature (Max)	70 °C, 75 °C, 80 °C, 85 °C, 90 °C, 100 °C, 105 °C[158 °F][167 °F][176 °F][185 °F][194 °F] [212 °F][221 °F]
Operating Temperature Range	-30 – 105 °C[-22 – 221 °F]

Operation/Application

Circuit Application	Signal
---------------------	--------

Industry Standards

UL Flammability Rating	UL 94V-2
------------------------	----------

Packaging Features

Packaging Quantity	50
Packaging Method	Tray

Other

Connector Position Assurance Capable	No
--------------------------------------	----



Product Compliance

[For compliance documentation, visit the product page on TE.com>](#)

EU RoHS Directive 2011/65/EU	Compliant
EU ELV Directive 2000/53/EC	Compliant
China RoHS 2 Directive MIIT Order No 32, 2016	No Restricted Materials Above Threshold
EU REACH Regulation (EC) No. 1907/2006	Current ECHA Candidate List: JUNE 2023 (235) Candidate List Declared Against: JUNE 2023 (235) Does not contain REACH SVHC
Halogen Content	Not Low Halogen - contains Br or Cl > 900 ppm.
Solder Process Capability	Not applicable for solder process capability

Product Compliance Disclaimer

This information is provided based on reasonable inquiry of our suppliers and represents our current actual knowledge based on the information they provided. This information is subject to change. The part numbers that TE has identified as EU RoHS compliant have a maximum concentration of 0.1% by weight in homogenous materials for lead, hexavalent chromium, mercury, PBB, PBDE, DBP, BBP, DEHP, DIBP, and 0.01% for cadmium, or qualify for an exemption to these limits as defined in the Annexes of Directive 2011/65/EU (RoHS2). Finished electrical and electronic equipment products will be CE marked as required by Directive 2011/65/EU. Components may not be CE marked. Additionally, the part numbers that TE has identified as EU ELV compliant have a maximum concentration of 0.1% by weight in homogenous materials for lead, hexavalent chromium, and mercury, and 0.01% for cadmium, or qualify for an exemption to these limits as defined in the Annexes of Directive 2000/53/EC (ELV). Regarding the REACH Regulation, the information TE provides on SVHC in articles for this part number is based on the latest European Chemicals Agency (ECHA) 'Guidance on requirements for substances in articles' posted at this URL: <https://echa.europa.eu/guidance-documents/guidance-on-reach>

Compatible Parts

 <p>TE Part # 174663-2 12 POS HSG MARK II+</p>	 <p>TE Part # 174662-7 12 POS PLUG MARK II+</p>	 <p>TE Part # 1-174662-1 E-J MK-2 PLUG HSG 12P NATURAL</p>
---	--	---

Also in the Series | **Econoseal**



Automotive Connector Caps & Covers (1)



Automotive Connector Locks & Position Assurance(25)



Automotive Housings(105)



Automotive Terminals(48)



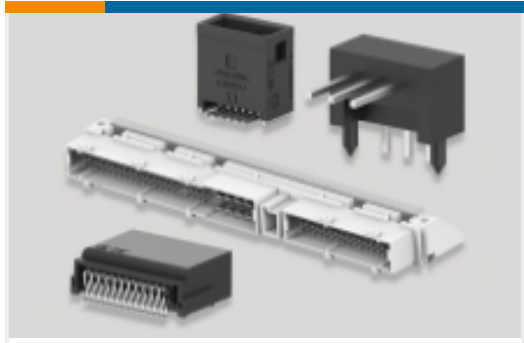
Connector Seals & Cavity Plugs(19)



Insertion & Extraction Tools(7)



Other Automotive Connector Accessories(5)

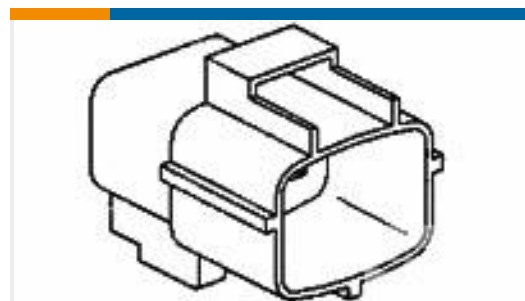


PCB Headers & Receptacles(4)



Primary Wire(1)

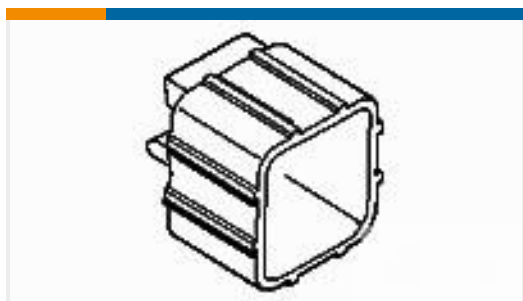
Customers Also Bought



TE Part #174663-2
12 POS HSG MARK II+



TE Part #174662-7
12 POS PLUG MARK II+



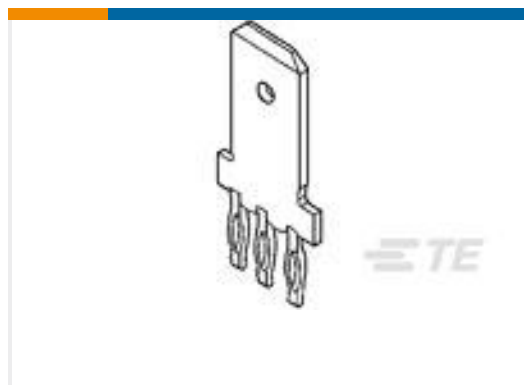
TE Part #174664-7
12 POS DL PLATE FOR CAP MKII+



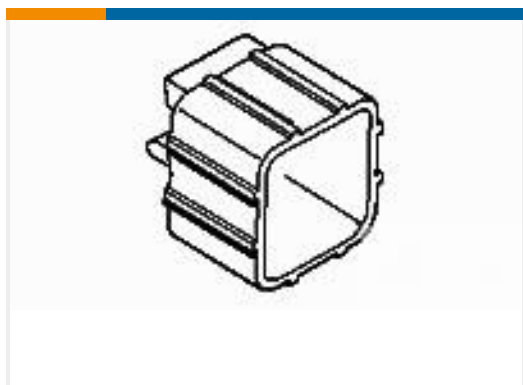
TE Part #2822395-1
070 ECONOSEAL MARK-2+ PLUG 10P



TE Part #7907156001
RBK-ESS-CLIP-1.5-X-8MM



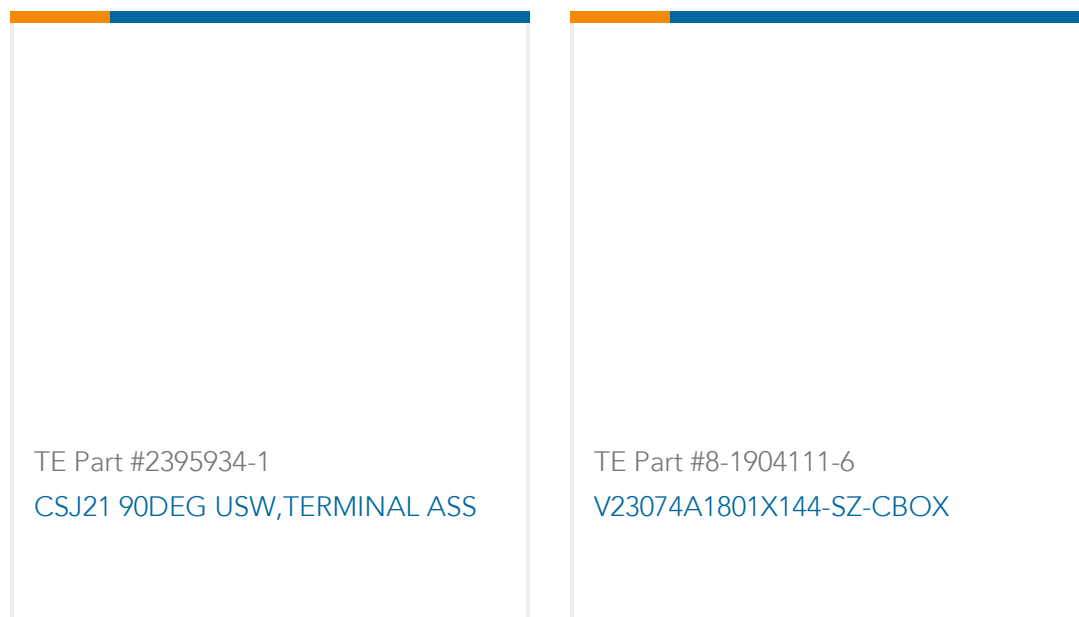
TE Part #216842-4
250 FASTON,TAB,PCB,SPPB



TE Part #1-174664-1
E-J MK-2 CAP HSG 12P NATURAL



TE Part #1-174662-1
E-J MK-2 PLUG HSG 12P NATURAL



Documents

Product Drawings

[070 ECONOSEAL MARK-2+ PLUG 12P](#)

Japanese

CAD Files

[3D PDF](#)

3D

Customer View Model

[ENG_CVM_CVM_2822638-1_A.2d_dxf.zip](#)

English

Customer View Model

[ENG_CVM_CVM_2822638-1_A.3d_igs.zip](#)

English

Customer View Model

[ENG_CVM_CVM_2822638-1_A.3d_stp.zip](#)

English

By downloading the CAD file I accept and agree to the [Terms and Conditions](#) of use.

Datasheets & Catalog Pages

[Econoseal Connector Series](#)

English

Product Specifications

[Product Specification](#)

English

[Product Specification](#)

Japanese

Agency Approvals

[Agency Approval Document](#)

English