

936236-1 ✓ ACTIVE

AMP | Multilock Connector System

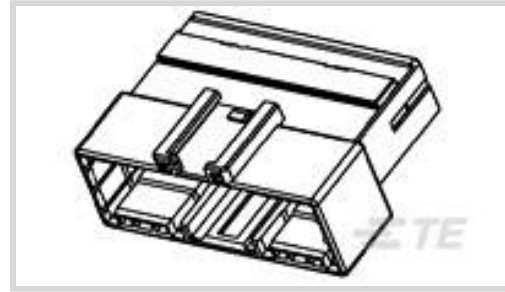
TE Internal #: 936236-1

Housing for Male Terminals, Wire-to-Wire, 2 Position, .157 in [4 mm] Centerline, Natural, Signal, Multilock Connector System

[View on TE.com >](#)



Connectors > Automotive Connectors > Automotive Housings > MULTILOCK, CONNECTOR HOUSING



Connector & Housing Type: **Housing for Male Terminals**

Mating Tab Width: **2.3 mm [ .09 in ]**

Connector System: **Wire-to-Wire**

Number of Positions: **2**

Centerline (Pitch): **4 mm [ .157 in ]**

[All MULTILOCK, CONNECTOR HOUSING \(567\)](#)

## Features

### Product Type Features

Connector Shape	Rectangular
Connector & Housing Type	Housing for Male Terminals
Connector System	Wire-to-Wire
Sealable	No
Hybrid Connector	No
Primary Locking Feature	Integrated in Housing

### Configuration Features

Blank Cavity Position	0
Number of Positions	2
Number of Rows	1

### Body Features

Cable Exit Angle	180°
Primary Product Color	Natural

### Contact Features

Contact Size	2.3mm
Contact Type	Tab
Mating Tab Width	2.3 mm[.09 in]

### Mechanical Attachment

Terminal Position Assurance	Yes
Strain Relief	Without
Mating Alignment Type	Polarized
Mating Alignment	With
Connector Mounting Type	Cable Mount (Free-Hanging)

### Housing Features

Housing Material	PBT
Centerline (Pitch)	4 mm [.157 in]

### Dimensions

Connector Height	16.3 mm [.642 in]
Product Width	34 mm [1.33 in]
Product Length	15 mm [.59 in]

### Usage Conditions

Operating Temperature (Max)	70 °C, 75 °C, 80 °C [158 °F][167 °F][176 °F]
Operating Temperature Range	-40 – 80 °C [-40 – 176 °F]

### Operation/Application

Circuit Application	Signal
---------------------	--------

### Industry Standards

UL Flammability Rating	UL 94HB
------------------------	---------

### Packaging Features

Packaging Quantity	500
Packaging Method	Bag

### Other

Serviceable	Yes
Connector Position Assurance Capable	No

### Product Compliance

[For compliance documentation, visit the product page on TE.com>](#)

EU RoHS Directive 2011/65/EU	Compliant
EU ELV Directive 2000/53/EC	Compliant
China RoHS 2 Directive MIIT Order No 32, 2016	No Restricted Materials Above Threshold



EU REACH Regulation (EC) No. 1907/2006

Current ECHA Candidate List: JUNE 2023 (235)

Candidate List Declared Against: JAN 2023 (233)

Does not contain REACH SVHC

Halogen Content

Low Halogen - Br, Cl, F, I < 900 ppm per homogenous material. Also BFR/CFR/PVC Free

Solder Process Capability

Not applicable for solder process capability

Product Compliance Disclaimer

This information is provided based on reasonable inquiry of our suppliers and represents our current actual knowledge based on the information they provided. This information is subject to change. The part numbers that TE has identified as EU RoHS compliant have a maximum concentration of 0.1% by weight in homogenous materials for lead, hexavalent chromium, mercury, PBB, PBDE, DBP, BBP, DEHP, DIBP, and 0.01% for cadmium, or qualify for an exemption to these limits as defined in the Annexes of Directive 2011/65/EU (RoHS2). Finished electrical and electronic equipment products will be CE marked as required by Directive 2011/65/EU. Components may not be CE marked. Additionally, the part numbers that TE has identified as EU ELV compliant have a maximum concentration of 0.1% by weight in homogenous materials for lead, hexavalent chromium, and mercury, and 0.01% for cadmium, or qualify for an exemption to these limits as defined in the Annexes of Directive 2000/53/EC (ELV). Regarding the REACH Regulation, the information TE provides on SVHC in articles for this part number is based on the latest European Chemicals Agency (ECHA) 'Guidance on requirements for substances in articles' posted at this URL: <https://echa.europa.eu/guidance-documents/guidance-on-reach>

## Compatible Parts



TE Part # CAT-M9194-CH8172  
MULTILOCK, CONNECTOR HOUSING

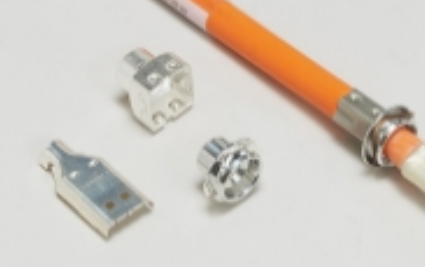


TE Part # CAT-M9194-T273  
MULTILOCK, RECEPTACLE AND TAB

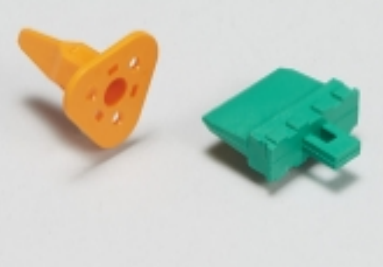
## Also in the Series | Multilock Connector System




Automotive Connector Caps & Covers (17)



Automotive Connector EMC Shielding (1)



Automotive Connector Locks & Position Assurance(2)



Automotive Housings(603)



Automotive Terminals(141)



Connector Seals & Cavity Plugs(2)



Insertion & Extraction Tools(6)



Other Automotive Connector Accessories(14)



PCB Headers & Receptacles(142)

## Customers Also Bought



TE Part #936196-1  
MULTILOCK, CONNECTOR HOUSING



TE Part #1743059-2  
MT-II/JPT SLD 36P PLUG ASSY



TE Part #1-1897255-2  
SLOT CLIP FOR J300 / 090 TYPE



TE Part #2209954-4  
AIRBAG 24P COVER ASSY



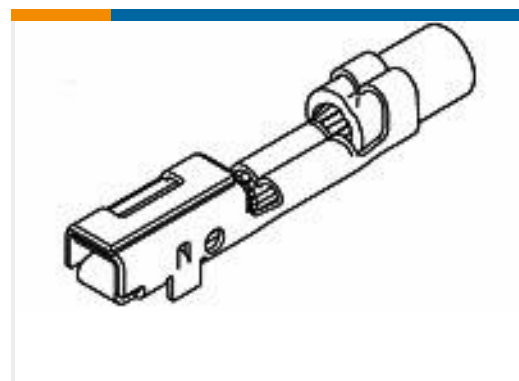
TE Part #2322347-1  
12POS,HYBRID,REC HSG,UNSLD,  
COD 1



TE Part #2322347-2  
12POS,HYBRID,REC HSG,UNSLD,  
COD 2



TE Part #2005431-1  
025/090 HYB 34P PLUG ASSY



TE Part #368083-1  
090II NON SLD REC(SQ.2.0)

## Documents

### Product Drawings

[090III 2P CAP ASSY](#)

English

### CAD Files

[Customer View Model](#)

[ENG\\_CVM\\_CVM\\_936236-1\\_A.2d\\_dxf.zip](#)

English

[3D PDF](#)



3D

Customer View Model

[ENG\\_CVM\\_CVM\\_936236-1\\_A.3d\\_igs.zip](#)

English

Customer View Model

[ENG\\_CVM\\_CVM\\_936236-1\\_A.3d\\_stp.zip](#)

English

By downloading the CAD file I accept and agree to the [Terms and Conditions](#) of use.

---

## Datasheets & Catalog Pages

[MULTILOCK Connector System](#)

English

---

## Product Specifications

[Product Specification](#)

English