

MATERIALS AND FINISHES

BODY, OUTER CONTACT, WASHER, RETAINING RING BRASS  
PLATED NICKEL

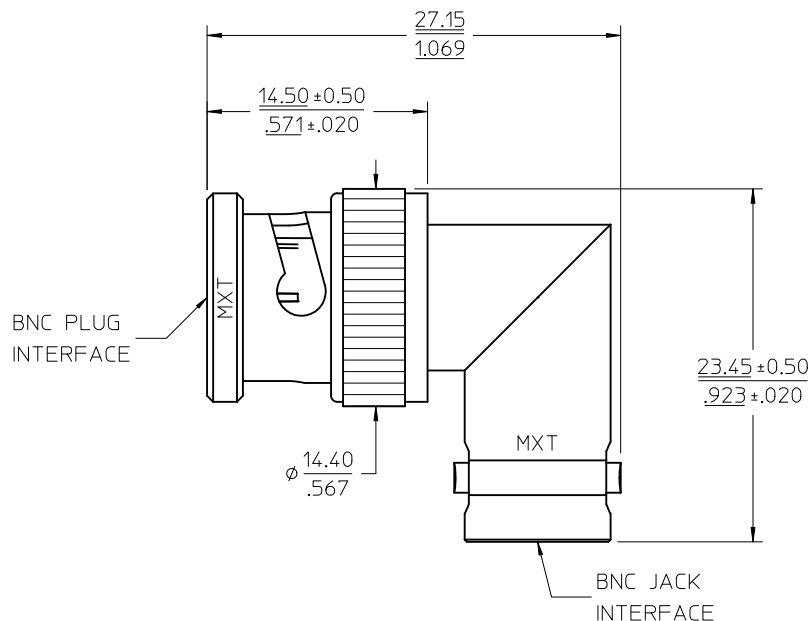
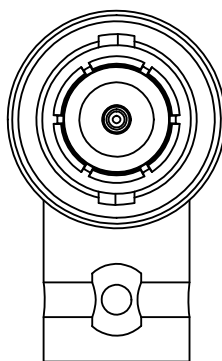
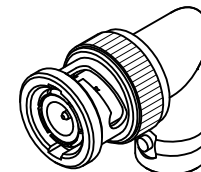
CENTER CONTACT (PLUG)-BRASS, (JACK)-PHOSPHOR BRONZE  
PLATED GOLD

INSULATOR POLYPROPYLENE

COUPLING NUT ZINC ALLOY  
PLATED NICKEL

GASKET SILICONE RUBBER

SPRING WASHER BERYLLIUM COPPER



PS-73598-0122	ELEC/MECH SPECIFICATION
ES-73599-0000	INTERFACE PLUG & JACK SPECIFICATION
	DESCRIPTION

73151-5003	BULK
PART NO.	PACKAGING

CHG: UPDATED VIEW PER RF12-E016 EC NO: URF2012-0131 DR:WINRYEH CHKD: APPR:MHUANG 2011/09/13 2011/10/03 B3	QUALITY SYMBOLS ▽=0 ▽=0	GENERAL TOLERANCES (UNLESS SPECIFIED) <table border="1"> <tr> <th></th> <th>mm</th> <th>INCH</th> </tr> <tr> <td>4 PLACES</td> <td>± .---</td> <td>± .---</td> </tr> <tr> <td>3 PLACES</td> <td>± .---</td> <td>± .---</td> </tr> <tr> <td>2 PLACES</td> <td>± .---</td> <td>± .---</td> </tr> <tr> <td>1 PLACE</td> <td>± .---</td> <td>± .---</td> </tr> </table> ANGULAR ± 2 °		mm	INCH	4 PLACES	± .---	± .---	3 PLACES	± .---	± .---	2 PLACES	± .---	± .---	1 PLACE	± .---	± .---	DIMENSION STYLE MM/IN	SCALE DESIGN UNITS METRIC	THIRD ANGLE PROJECTION
		mm	INCH																	
	4 PLACES	± .---	± .---																	
	3 PLACES	± .---	± .---																	
2 PLACES	± .---	± .---																		
1 PLACE	± .---	± .---																		
DRAWN BY IRIS WANG 1991/01/21	DATE 2011/09/13	TITLE BNC JACK TO PLUG R/A ADAPTER																		
CHECKED BY KERRIE	DATE 2011/09/13	MOLEX INCORPORATED																		
APPROVED BY	DATE	MATERIAL NO. SEE TABLE	DOCUMENT NO. SD-73151-5003	SHEET NO. 1 OF 1	THIS DRAWING CONTAINS INFORMATION THAT IS PROPRIETARY TO MOLEX INCORPORATED AND SHOULD NOT BE USED WITHOUT WRITTEN PERMISSION															