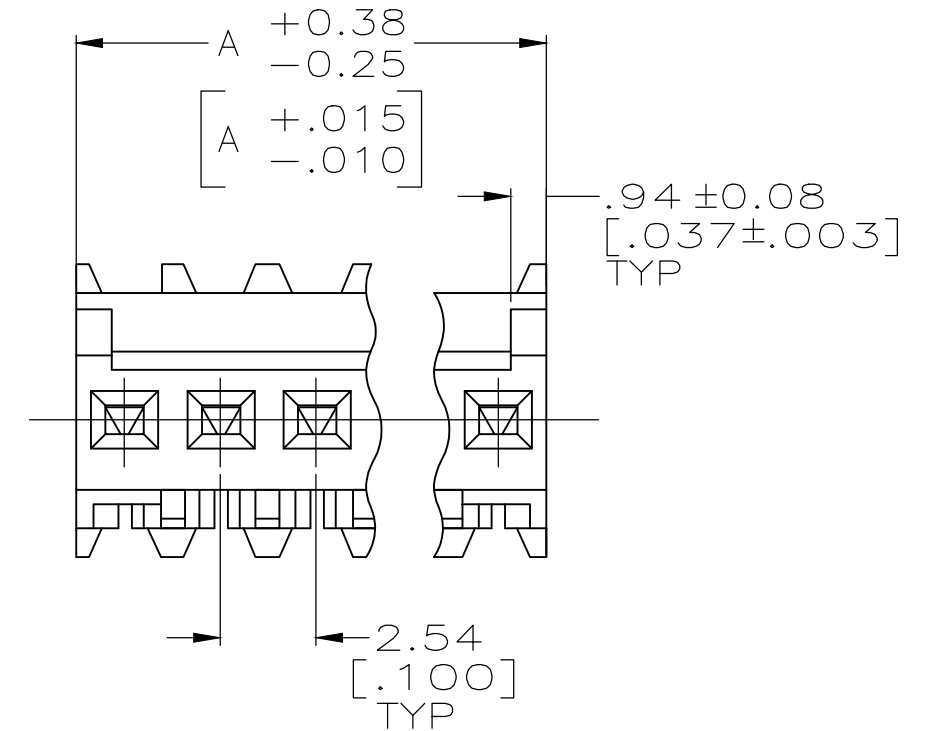
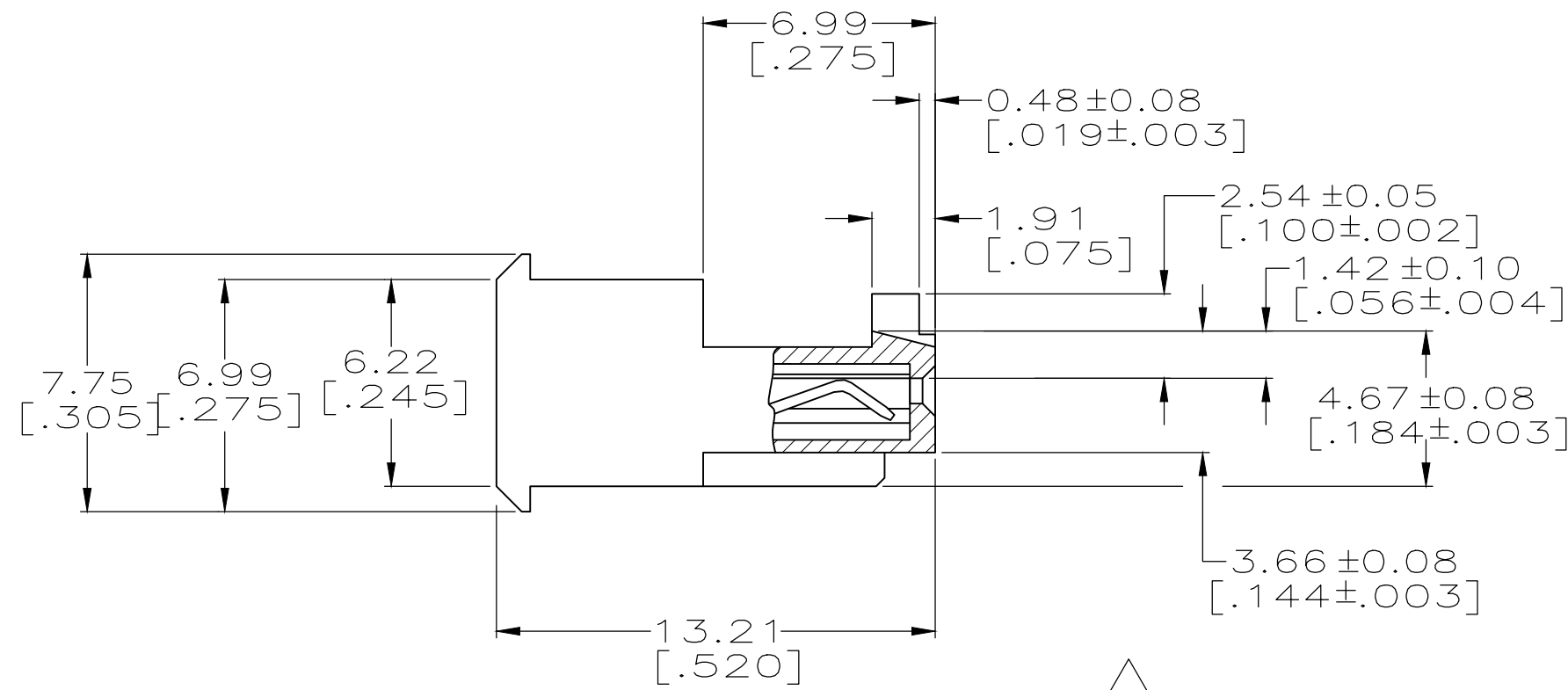
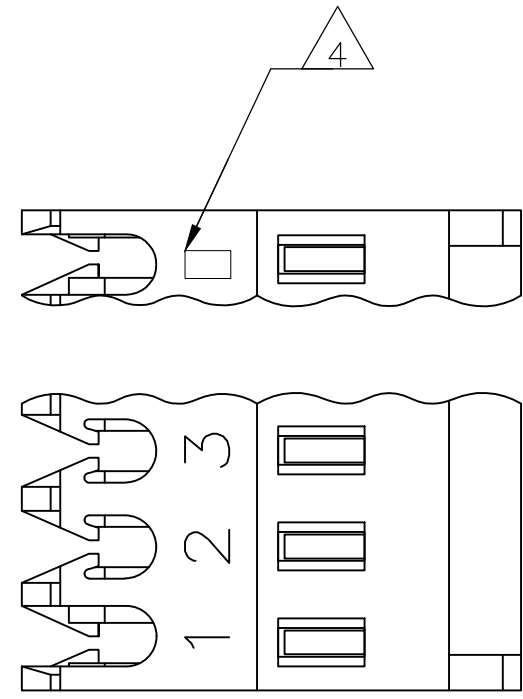


THIS DRAWING IS UNPUBLISHED. RELEASED FOR PUBLICATION
 © COPYRIGHT - By - TE CONNECTIVITY ALL RIGHTS RESERVED.

LOC	DIST	REVISIONS			
P	LTR	DESCRIPTION	DATE	DWN	APVD
CM	00	F	REVISED PER ECR-20-000725	20MAY2020	PC SW

60.96[2.400]	24	5-644564-4
55.88[2.200]	22	5-644564-2
53.34[2.100]	21	5-644564-1
50.80[2.000]	20	5-644564-0
48.26[1.900]	19	4-644564-9
45.72[1.800]	18	4-644564-8
43.18[1.700]	17	4-644564-7
40.64[1.600]	16	4-644564-6
38.10[1.500]	15	4-644564-5
35.56[1.400]	14	4-644564-4
33.02[1.300]	13	4-644564-3
30.48[1.200]	12	4-644564-2
27.94[1.100]	11	4-644564-1
25.40[1.000]	10	4-644564-0
22.86[.900]	9	3-644564-9
20.32[.800]	8	3-644564-8
17.78[.700]	7	3-644564-7
15.24[.600]	6	3-644564-6
12.70[.500]	5	3-644564-5
10.16[.400]	4	3-644564-4
7.62[.300]	3	3-644564-3
5.08[.200]	2	3-644564-2



60.96[2.400] 24 2-644564-4 SUPERSEDED

55.88[2.200] 22 2-644564-2 SUPERSEDED 7

38.10[1.500] 15 1-644564-5
 35.56[1.400] 14 1-644564-4
 33.02[1.300] 13 1-644564-3
 30.48[1.200] 12 1-644564-2
 27.94[1.100] 11 1-644564-1
 25.40[1.000] 10 1-644564-0
 22.86[.900] 9 -644564-9
 20.32[.800] 8 -644564-8
 17.78[.700] 7 -644564-7
 15.24[.600] 6 -644564-6
 12.70[.500] 5 -644564-5
 10.16[.400] 4 -644564-4
 7.62[.300] 3 -644564-3
 5.08[.200] 2 -644564-2

7 SUPERSEDED

OBSOLETE

7 SUPERSEDED

8 SUPERSEDED
 7 SUPERSEDED
 8 SUPERSEDED

DIM A NO. OF CIRCUITS PART NO.

- 1 MATERIAL: CONNECTOR - NYLON UL94V-2 (BLUE).
 CONTACTS - 0.30[.012] THICK COPPER ALLOY BRIGHT TIN-LEAD .00203[.000080] MIN THICKNESS FOR 644564-2 THRU 2-644564-8.
 MATTE WHISKER MITIGATED TIN .00203[.000080] MIN THICKNESS OVER NICKEL UNDERPLATE FOR 3-644564-2 THRU 5-644564-4.
- 2 CONTACTS ACCEPT 26 AWG WIRE WITH 1.52[.060] MAX INSULATION DIAMETER.
- 3 CONTACTS MUST ACCEPT 0.64±0.03[.025±.001] SQUARE POST AND REMAIN LOCKED IN POSITION.
- 4 IDENTIFICATION NUMBER FOR LAST CIRCUIT MAY NOT APPEAR ON ALL ASSEMBLIES.
- 5 DIMENSIONS IN BRACKETS ARE IN INCHES.
- 6 HOUSING FEATURES ARE: FEED THRU WITH LOCKING RAMP AND WITH POLARIZING TAB.
- 7 OBSOLETE PARTS: OBSOLETE CIS STREAMLINING PER D.RENAUD/D.SINISI
- 8 OBSOLETE PARTS

THIS DRAWING IS A CONTROLLED DOCUMENT.		DWN S. CARPENTER 12JUN2003		TE Connectivity	
DIMENSIONS: INCHES		CHK D. BOSSI 12JUN2003		NAME	
TOLERANCES UNLESS OTHERWISE SPECIFIED:		APVD D. BOSSI 12JUN2003	MTA-100 CONNECTOR ASSEMBLY, 26 AWG, STANDARD		
0 PLC ±		PRODUCT SPEC 108-1050	SIZE A2	CAGE CODE 00779	DRAWING NO C-644564
1 PLC ±		APPLICATION SPEC 114-1019	WEIGHT	SCALE 5:1	SHEET 1 OF 1
2 PLC ±		MATERIAL 1	FINISH 1	RESTRICTED TO	REV F
3 PLC ± 0.13 [.005]		CUSTOMER DRAWING			
4 PLC ±					
ANGLES ±					