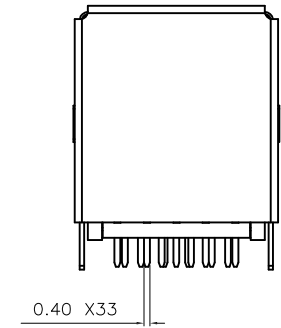
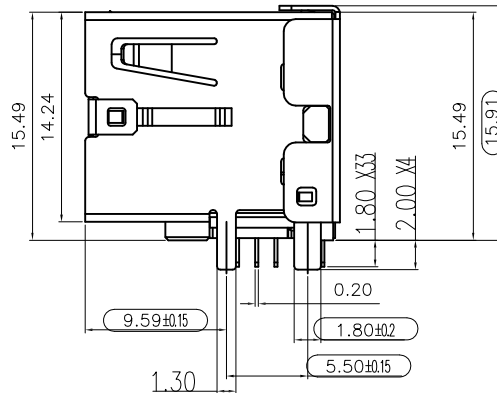
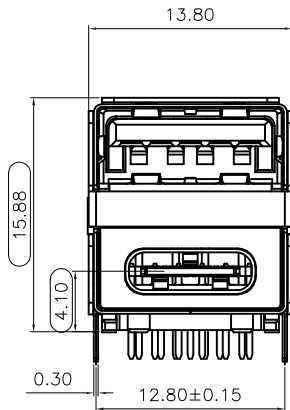
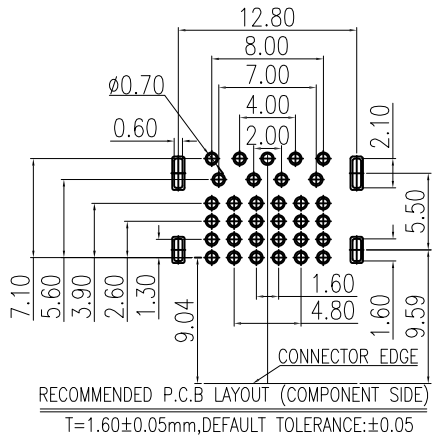
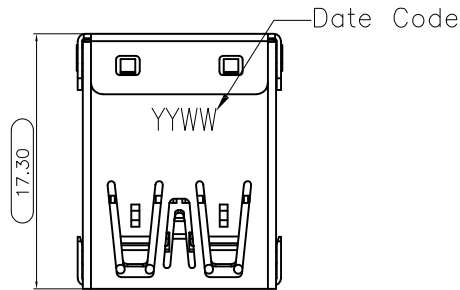
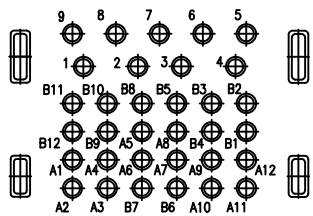
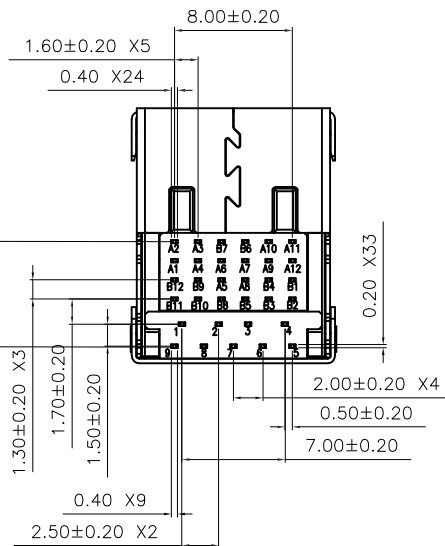


APPROVED: _____
 DATE: _____ TITLE: _____

Rev	AWO #	Description	Date	Appr
-		RELEASED	11/12/19	
A		UPDATE DRAWING	10/22/20	LH/JL
B		UPDATE SPEC.	10/19/21	LH/NP
C		UPDATE SPEC.	12/10/21	WX/KC



RECOMMENDED PCB LAYOUT



TYPE A PIN DEFINE		TYPE C PIN DEFINE	
PIN NUMBER	SIGNAL NAME	A	B
1	VBUS	1 GND	12 GND
2	D-	2 TX1+	11 RX1+
3	D+	3 TX1-	10 RX1-
4	GND	4 VBUS	9 VBUS
5	StdA_SSRX-	5 CC1	8 SBU2
6	StdA_SSRX+	6 Dα+	7 Dβ-
7	GND_DRAIN	7 Dα-	6 Dβ+
8	StdA_SSTX-	8 SBU1	5 CC2
9	StdA_SSTX+	9 VBUS	4 VBUS
		10 RX2-	3 TX2-
		11 RX2+	2 TX2+
		12 GND	1 GND

SPECIFICATIONS:

Material:
 Insulator: High Temp Thermoplastic, rated UL 94V-0
 Insulator color: Black
 Contacts: Copper Alloy
 Shell: Stainless Steel, SUS304, Nickel plated
 Plating:
 Gold flash over Nickel underplate on contact area,
 Tin over Nickel underplate on solder tails
 Electrical:
 Voltage Rated: Type-C: 100 VAC
 Current Rated: Type-A: 1.5 A max @250 VAC Min
 Type-C: 5 A max @250 VAC Min
 Contact resistance: Type A: 30 mohms
 Type C: 40 mohms
 Insulation resistance: 100 Mohms
 Dielectric withstanding voltage: 100 VAC
 Temperature Rating:
 Operating temperature: -40°C to +85°C
 Environmental:
 Lead free, RoHS compliant.



UNLESS OTHERWISE SPECIFIED ALL DIMENSIONS ARE INCHES [MM]. TOLERANCES: EXCEPT AS NOTED

INCHES	HOLES
.X ± .10	ØX ± .10
.XX ± .020	ØXX ± .015
.XXX ± .015	ØXXX ± .010

DRAWN	LH	11/12/19
CHECKED	TW	11/12/19
APPROVED		

THIS DRAWING CONTAINS INFORMATION THAT IS PROPRIETARY AND SHOULD NOT BE USED WITHOUT PRIOR WRITTEN PERMISSION FROM ADAM TECH

ADAM TECH

909 Rahway Avenue,
 Union, NJ 07083
 Phone: 908-687-5000
 Fax: 908-687-5710

TITLE: UNIVERSAL SERIAL BUS, DUAL PORT, RIGHT ANGLE
 TYPE A 3.0 OVER C 3.1, PCB, TERMINALS

SIZE	PART NO.	REV.
X	USB-A3/C31-D-RA-CS1	C

REF: S00013T SCALE: NTS SHEET 1 OF 1