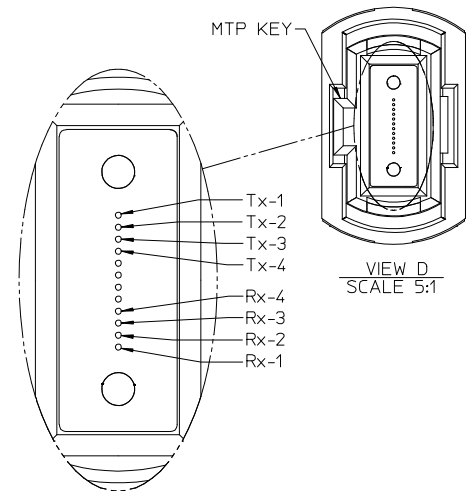
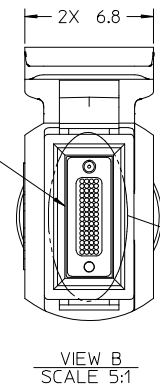
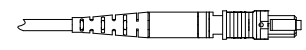
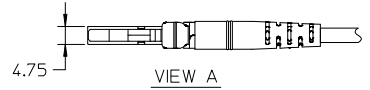
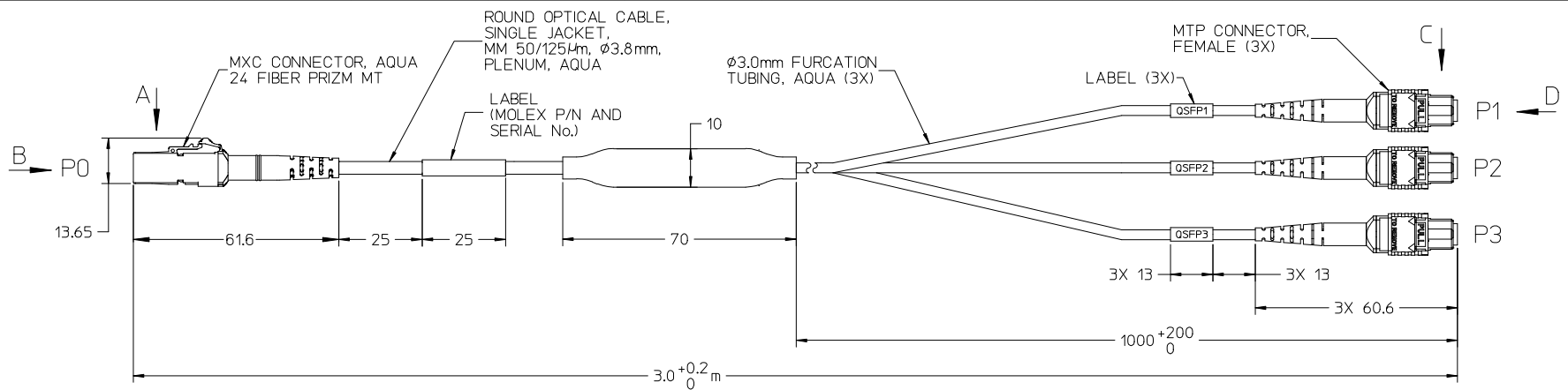


CONNECTIONS		
FROM PO	TO	
Rx-1	Tx-1	P1
Rx-2	Tx-2	
Rx-3	Tx-3	
Rx-4	Tx-4	
Rx-5	Tx-1	P2
Rx-6	Tx-2	
Rx-7	Tx-3	
Rx-8	Tx-4	P3
Rx-9	Tx-1	
Rx-10	Tx-2	
Rx-11	Tx-3	
Rx-12	Tx-4	P1
Tx-1	Rx-1	
Tx-2	Rx-2	
Tx-3	Rx-3	
Tx-4	Rx-4	P2
Tx-5	Rx-1	
Tx-6	Rx-2	
Tx-7	Rx-3	
Tx-8	Rx-4	P3
Tx-9	Rx-1	
Tx-10	Rx-2	
Tx-11	Rx-3	
Tx-12	Rx-4	



CABLE ASSEMBLY SPECIFICATIONS:

OPTICAL PROPERTIES

FIBER TYPE  
 CONNECTOR INSERTION LOSS (MAX.)

CABLE ATTENUATION (MAX.)  
 OVERFILLED LAUNCH BANDWIDTH, MIN.  
 10 GIGABIT ETHERNET LINK DISTANCE, MIN.  
 40 & 100 GIGABIT ETHERNET LINK DISTANCE, MIN.  
 EFFECTIVE MODAL BANDWIDTH

ENVIRONMENTAL PROPERTIES

CONNECTOR MATERIALS  
 CABLE FLAMMABILITY RATING  
 OPERATING TEMPERATURE RANGE

MECHANICAL PROPERTIES

FIBER COUNT  
  
 CABLE MIN. BEND RADIUS  
 SHORT TERM  
 LONG TERM  
 NO LOAD

COMPRESSIVE FORCE

MULTIMODE 50/125 μm OM4 BEND-INSENSITIVE  
 MXC - ESTIMATED 1.2 dB  
 MTP - 0.5 dB  
 3.0/1.2 dB/km AT 850/1300 nm  
 3500/550 MHz-km AT 850/1300 nm  
 550 m AT 850 nm  
 150/150 MHz-km AT 850/1300 nm  
 4700 MHz-km

UL94 V-0  
 PLENUM OFNP (NFPA 262/UL 910)  
 -0°C TO +60°C

MXC 24F = 12 Rx / 12 Tx  
 QSFP 8F = 4 Rx / 4 Tx

57 mm  
 20 mm  
 12.5 mm

>3.5 N/mm

ENTER DESCRIPTION EC NO: MF2015-0239 DRAWN: IGUMIN 2014/10/23 CHKD: IGUMIN APPR: IGUMIN 2014/11/14	QUALITY SYMBOLS ▽=0 ▽=0	GENERAL TOLERANCES (UNLESS SPECIFIED)		DIMENSION STYLE	SCALE	DESIGN UNITS	THIRD ANGLE PROJECTION
				MM ONLY	1:1	INCH	
		4 PLACES ± --- ± --- 3 PLACES ± --- ± --- 2 PLACES ± --- ± --- 1 PLACE ± --- ± --- 0 PLACE ± --- ± ---		DRAWN BY	DATE	TITLE	
		ANGULAR ±1/2° DRAFT WHERE APPLICABLE MUST REMAIN WITHIN DIMENSIONS		IGUMIN	2014/02/27	MOLEX MXC TO 3X QSFP/MPO OPTICAL CABLE ASSEMBLY	
				APPROVED BY	DATE	<b>molex</b>	
				IGUMIN	2014/03/12	DOCUMENT NO. SD-106210-5003	
				MATERIAL NO.	1062105003		SHEET NO.
				SIZE	THIS DRAWING CONTAINS INFORMATION THAT IS PROPRIETARY TO MOLEX INCORPORATED AND SHOULD NOT BE USED WITHOUT WRITTEN PERMISSION		1 OF 1