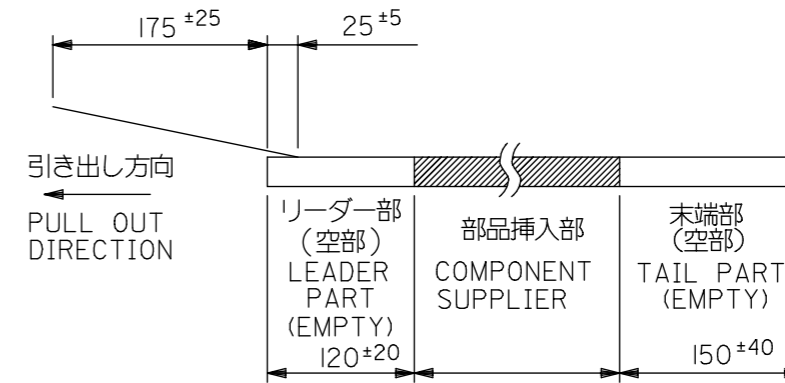


注記 NOTES

1. 梱包数量 : 1000個/リール NUMBER OF CONNECTORS : 1000PCS/REEL

2. リードテープ長さ LEAD TAPE LENGTH

トップテープリーダー部 TOP TAPE LEADER PART
 トップテープ未接着部 TOP TAPE NON-BONDED PART



3. トップテープの剥離強度についてはIEC60286-3に準拠。
 TOP TAPE PEEL FORCE IS DEFINED BY IEC60286-3.

4. 材料 キャリアテープ : ポリプロピレン (PP)
 トップテープ : PET, PE, PEF
 リール : ポリスチレン (PS) <リサイクル材を含む>

MATERIAL

CARRIER TAPE : POLYPROPYLENE

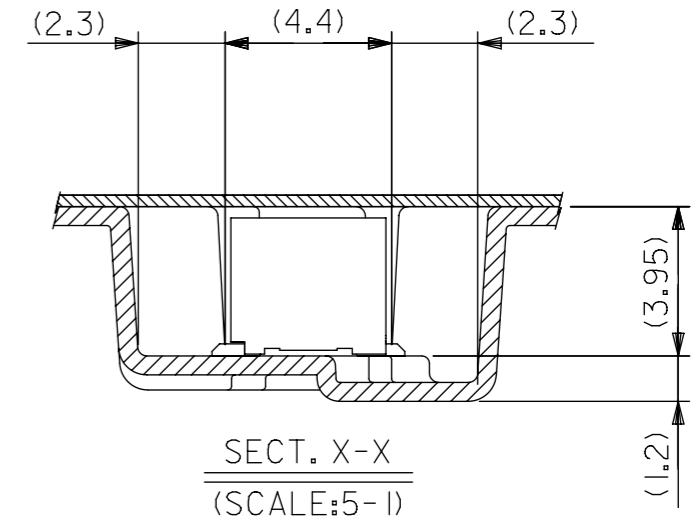
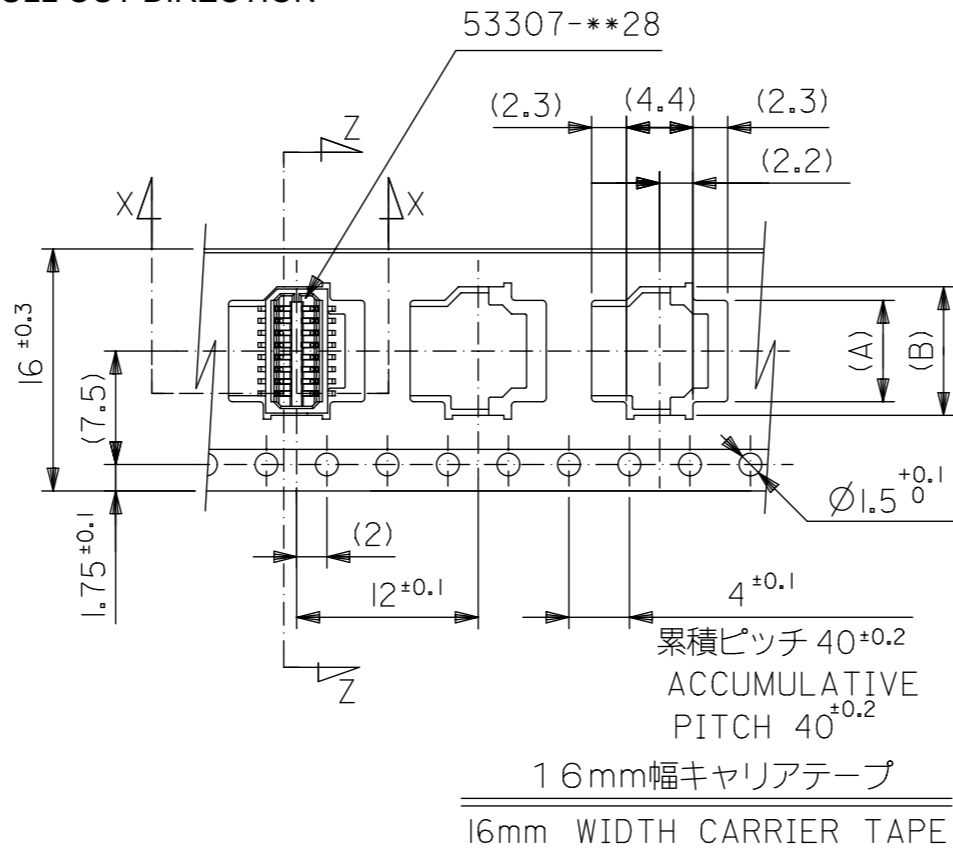
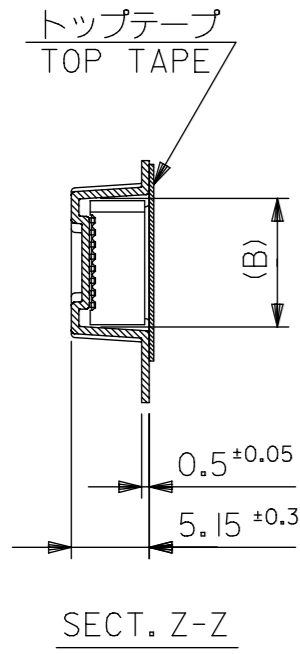
TOP TAPE : PET, PE, PEF

REEL : POLYSTYRENE (PS) < CONTAINED RECYCLE MATERIAL >

5. 本製品は53307-**91の鉛フリー品である。
 THIS PRODUCT IS LEAD FREE OF 53307-**91.

THIS DRAWING CONTAINS INFORMATION THAT IS PROPRIETARY TO MOLEX ELECTRONIC TECHNOLOGIES, LLC AND SHOULD NOT BE USED WITHOUT WRITTEN PERMISSION		CURRENT REV DESC:		molex	
DIMENSION UNITS	SCALE				
mm	NTS			PRODUCT CUSTOMER DRAWING	
GENERAL TOLERANCES (UNLESS SPECIFIED)		EC NO: 653700		DOCUMENT NUMBER	
ANGULAR TOL ± 30°		DRWN: AHMADI2 2021/02/03		SD-53307-014	
4 PLACES ± 0.2		CHK'D: HSHIMUYAMA 2021/02/26		DOC TYPE	
3 PLACES ± 0.25		APPR: SHOSHIKAWA 2021/02/26		PSD	
2 PLACES ± 0.3		INITIAL REVISION:		DOC PART	
1 PLACE ±		DRWN: HSHIMABUKURO 2004/03/03		001	
0 PLACES ±		APPR: MSASAO 2004/03/05		REVISION	
DRAFT WHERE APPLICABLE MUST REMAIN WITHIN DIMENSIONS		THIRD ANGLE PROJECTION	DRAWING	SERIES	MATERIAL NUMBER
			A3-SIZE	53307	CUSTOMER
					GENERAL MARKET
					SHEET NUMBER
					1 OF 3

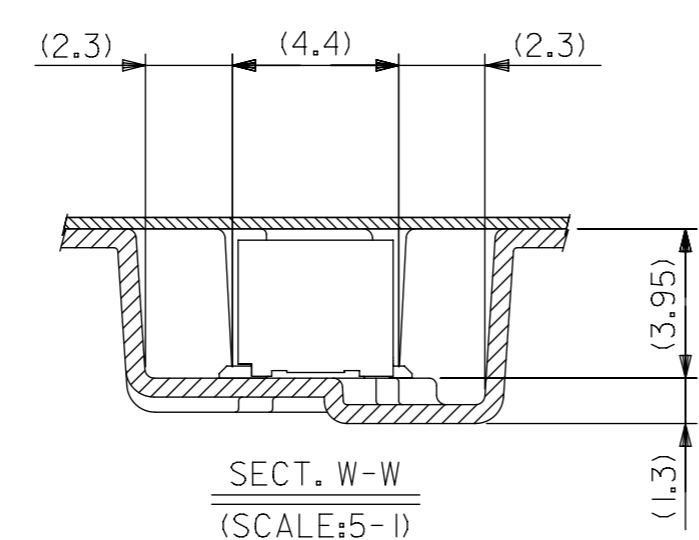
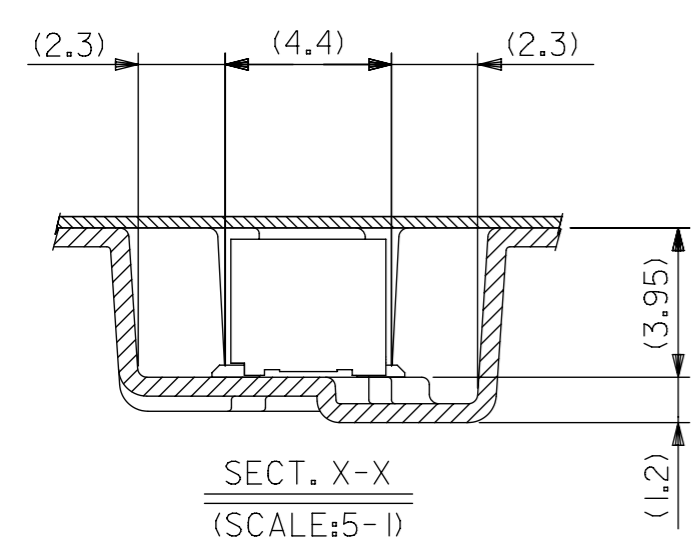
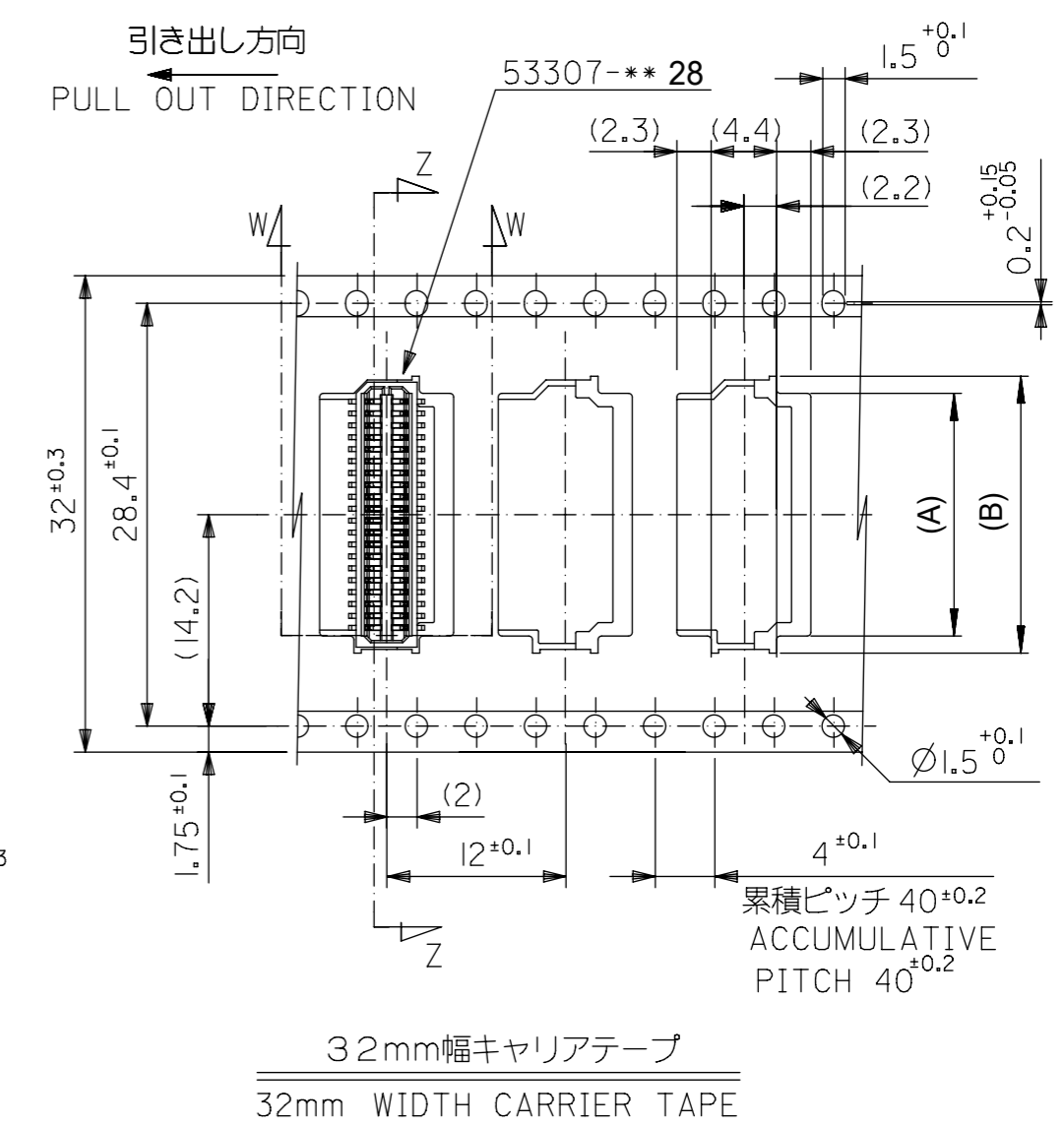
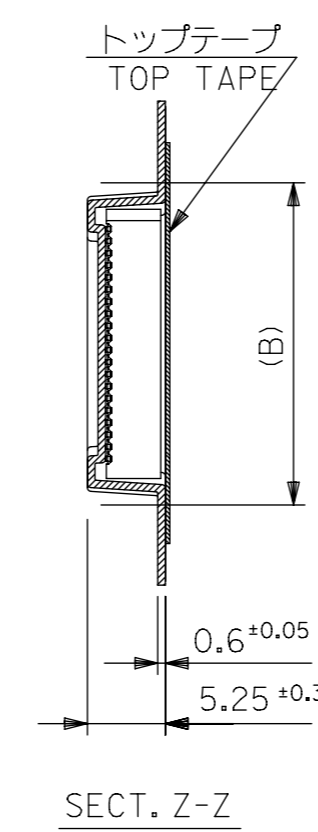
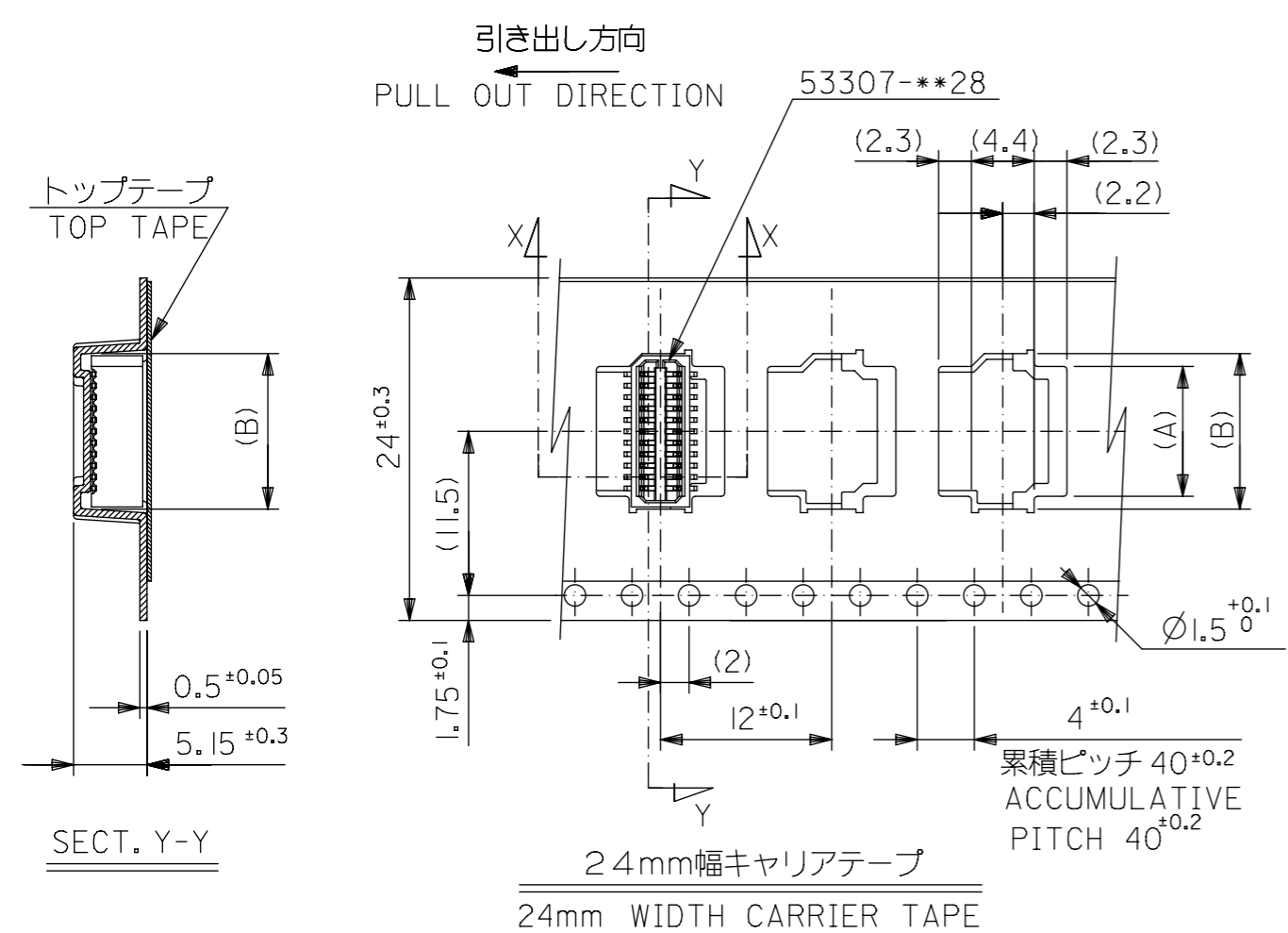
引き出し方向
PULL OUT DIRECTION



16	21.4	17.4	9.3	7.5	53307-1871	18	
			8.5	6.7	53307-1671	16	
			7.7	5.9	53307-1471	14	
			6.9	5.1	53307-1271	12	
			6.1	4.3	53307-1071	10	
キャリアテープ幅 CARRIER TAPE WIDTH		D	C	(B)	(A)	EMBOSSED TAPE PACKAGE	極数 CIRCUITS
						ORDER NO	

THIS DRAWING CONTAINS INFORMATION THAT IS PROPRIETARY TO MOLEX ELECTRONIC TECHNOLOGIES, LLC AND SHOULD NOT BE USED WITHOUT WRITTEN PERMISSION

DIMENSION UNITS mm	SCALE NTS	CURRENT REV DESC:		molex			
GENERAL TOLERANCES (UNLESS SPECIFIED)		EC NO: 653700					
ANGULAR TOL ± 30°		DRWN: AHMADI2		PRODUCT CUSTOMER DRAWING			
4 PLACES ± 0.2		CHK'D: HSHIMYOYAMA		DOCUMENT NUMBER			
3 PLACES ± 0.25		APPR: SHOSHIKAWA		SD-53307-014		DOC TYPE	DOC PART
2 PLACES ± 0.3		INITIAL REVISION:		PSD		001	REVISION
1 PLACE ±		DRWN: HSHIMABUKURO		B			
0 PLACES ±		APPR: MSASAO					
DRAFT WHERE APPLICABLE MUST REMAIN WITHIN DIMENSIONS		THIRD ANGLE PROJECTION	DRAWING	SERIES	MATERIAL NUMBER	CUSTOMER	SHEET NUMBER
		⊕	A3-SIZE	53307		GENERAL MARKET	2 OF 3



32	37.4	33.4	18.1	16.3	53307-4071	40	
24	29.4	25.4	16.5	14.7	53307-3671	36	
			15.7	13.9	53307-3471	34	
			14.1	12.3	53307-3071	30	
			13.3	11.5	53307-2871	28	
			12.5	10.7	53307-2671	26	
			11.7	9.9	53307-2471	24	
			10.9	9.1	53307-2271	22	
			10.1	8.3	53307-2071	20	
キャリアテープ幅 CARRIER TAPE WIDTH		D	C	(B)	(A)	EMBOSSED TAPE PACKAGE ORDER NO	極数 CIRCUITS

THIS DRAWING CONTAINS INFORMATION THAT IS PROPRIETARY TO MOLEX ELECTRONIC TECHNOLOGIES, LLC AND SHOULD NOT BE USED WITHOUT WRITTEN PERMISSION

DIMENSION UNITS: mm SCALE: NTS

GENERAL TOLERANCES (UNLESS SPECIFIED): ANGULAR TOL ± 30°

4 PLACES ± 0.2
3 PLACES ± 0.25
2 PLACES ± 0.3
1 PLACE ±
0 PLACES ±

DRAFT WHERE APPLICABLE MUST REMAIN WITHIN DIMENSIONS

THIRD ANGLE PROJECTION

DRAWING: A3-SIZE

SERIES: 53307

MATERIAL NUMBER: SD-53307-014

CUSTOMER: GENERAL MARKET

SHEET NUMBER: 3 OF 3

EC NO: 653700
DRWN: AHMADI2
CHK'D: HSHIMOYAMA
APPR: SHOSHIKAWA

2021/02/03
2021/02/26
2021/02/26

INITIAL REVISION:
DRWN: HSHIMABUKURO
APPR: MSASAO

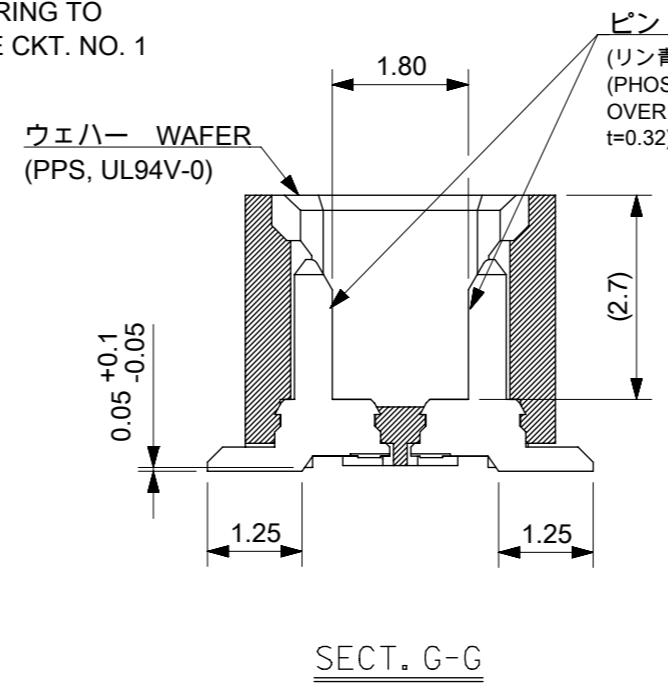
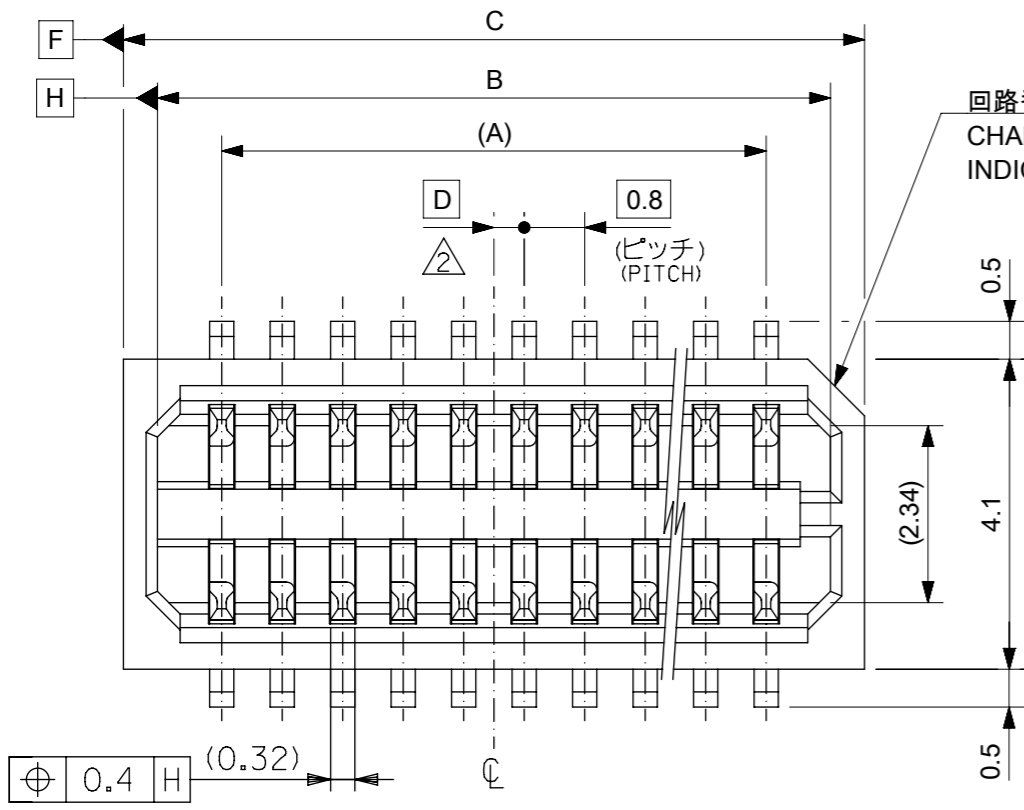
2004/03/03
2004/03/05

DOCUMENT NUMBER: PSD
DOC TYPE: 001
DOC PART: B
REVISION: B

molex

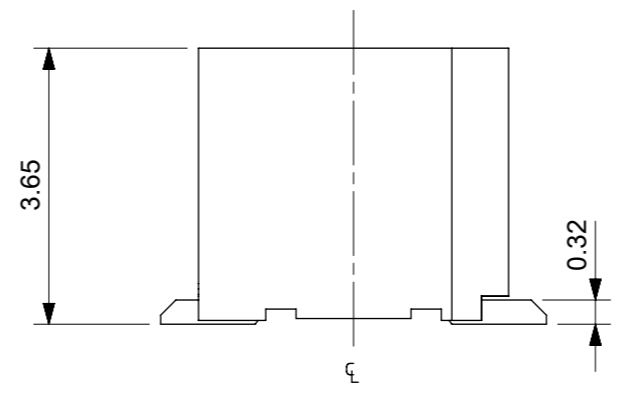
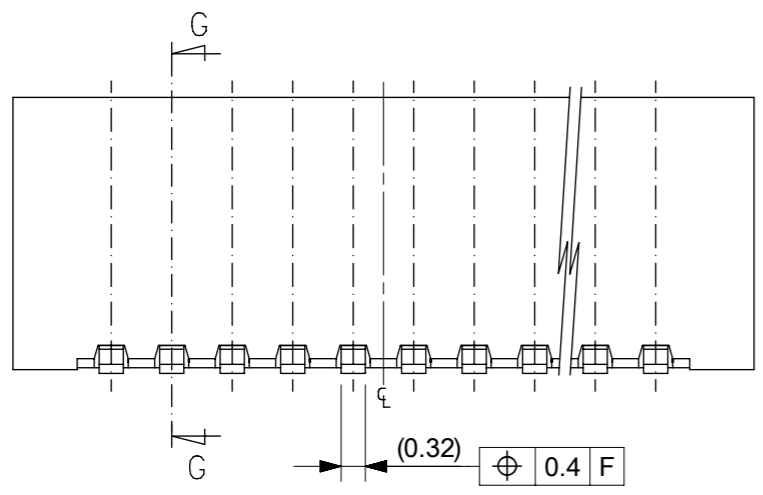
0.8 MM PITCH B-TO-B CONN.
PLUG (WITHOUT BOSS) EMBOSS TAPE PACKAGE

PRODUCT CUSTOMER DRAWING

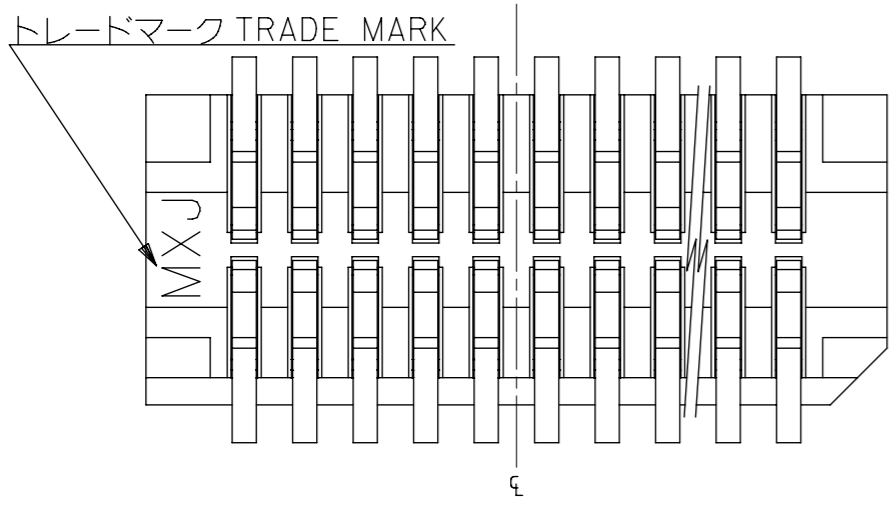


注記 NOTES

- 1 嵌合相手 : 52465シリーズ
MATE WITH : 52465 SERIES
- 2 ウェハーのφから隣接するピンのφ迄の位置を示す。
SHOW POSITION FROM φ OF WAFER TO φ OF ADJACENT PINS.
- 3 本製品は 53307-**27 の鉛フリー品である。
THIS PRODUCT IS LEAD FREE OF 53307-**27.



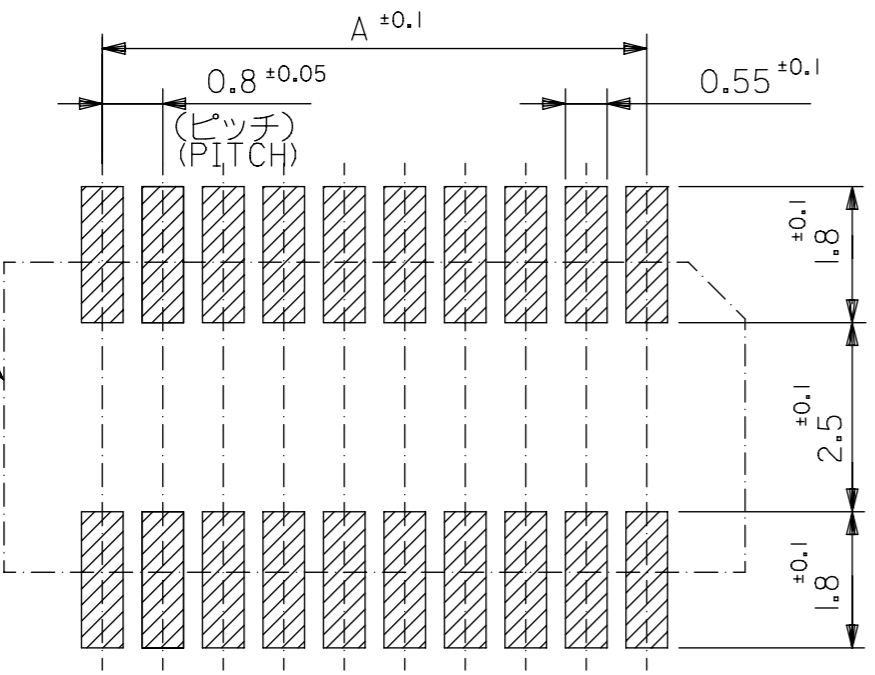
0.4	17.8	16.9	15.2	53307-4071	40
0.4	16.2	15.3	13.6	53307-3671	36
0.8	15.4	14.5	12.8	53307-3471	34
0.8	13.8	12.9	11.2	53307-3071	30
0.4	13.0	12.1	10.4	53307-2871	28
0.8	12.2	11.3	9.6	53307-2671	26
0.4	11.4	10.5	8.8	53307-2471	24
0.8	10.6	9.7	8.0	53307-2271	22
0.4	9.8	8.9	7.2	53307-2071	20
0.8	9.0	8.1	6.4	53307-1871	18
0.4	8.2	7.3	5.6	53307-1671	16
0.8	7.4	6.5	4.8	53307-1471	14
0.4	6.6	5.7	4.0	53307-1271	12
0.8	5.8	4.9	3.2	53307-1071	10
D	C	B	A	EMBOSSED TAPE PACKAGE	極数
				ORDER NO	CIRCUITS



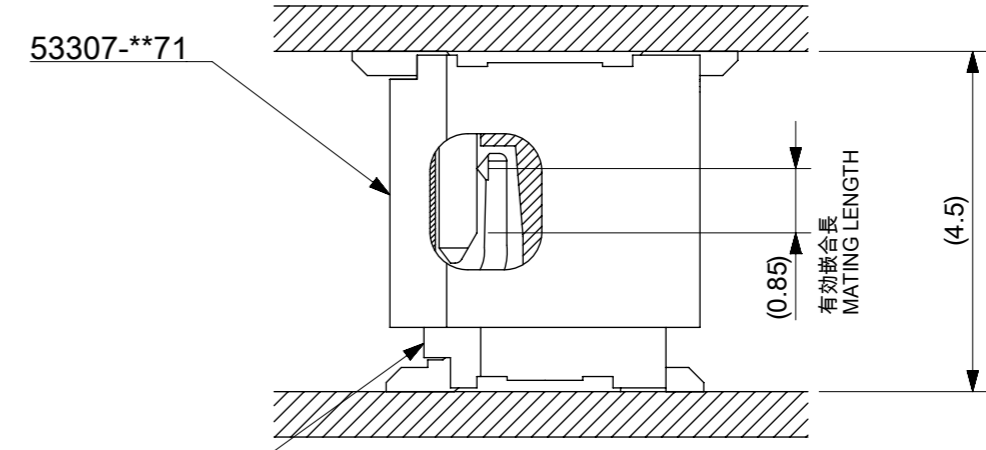
THIS DRAWING CONTAINS INFORMATION THAT IS PROPRIETARY TO MOLEX ELECTRONIC TECHNOLOGIES, LLC AND SHOULD NOT BE USED WITHOUT WRITTEN PERMISSION

DIMENSION UNITS	SCALE	CURRENT REV DESC:			
mm	NTS				
GENERAL TOLERANCES (UNLESS SPECIFIED)		ANGULAR TOL ± 30°			
10 ^{UNDER}	±0.2	4 PLACES	± 0.2	EC NO: 656567	
10 ^{OVER} 30 ^{UNDER}	±0.25	3 PLACES	± 0.25	DRWN: AHMADI2 2021/02/03	
30 ^{OVER}	±0.3	2 PLACES	± 0.3	CHK'D: HSHIMOYAMA 2021/02/26	
		1 PLACE	±	APPR: SHOSHIKAWA 2021/02/26	
		0 PLACES	±	INITIAL REVISION:	
DRAFT WHERE APPLICABLE MUST REMAIN WITHIN DIMENSIONS		DRAFT WHERE APPLICABLE MUST REMAIN WITHIN DIMENSIONS		DRWN: HSHIMABUKURO 2004/03/03	
		THIRD ANGLE PROJECTION		APPR: MSASAO 2004/03/05	
		DRAWING		SERIES	
		A3-SIZE		53307	
DOCUMENT STATUS		MATERIAL NUMBER		CUSTOMER	
P1		SD-53307-015		GENERAL MARKET	
RELEASE DATE		DOC TYPE		DOC PART	
2021/02/26		PSD		001	
10:23:46		REVISION		E	
		SHEET NUMBER		1 OF 2	

コネクタ位置
CONNECTOR
POSITION



参考基板レイアウト (マウント面)
P.C.B PATTERN LAYOUT (REF.) (MOUNT AREA)



嵌合相手 MATE WITH
52465-**70 (BOSSあり WITH BOSS)
52465-**71 (BOSS無し WITHOUT BOSS)

嵌合状態図 (参考)
MATED DRAWING (REF.)

THIS DRAWING CONTAINS INFORMATION THAT IS PROPRIETARY TO MOLEX ELECTRONIC TECHNOLOGIES, LLC AND SHOULD NOT BE USED WITHOUT WRITTEN PERMISSION															
DIMENSION UNITS		SCALE		CURRENT REV DESC:											
mm		NTS		molex 0.8 MM PITCH B-TO-B CONN. PLUG (WITHOUT BOSS) PRODUCT CUSTOMER DRAWING											
GENERAL TOLERANCES (UNLESS SPECIFIED)										EC NO: 656567					
ANGULAR TOL ± 30°										DRWN: AHMADI2 2021/02/03					
4 PLACES ± 0.2										CHK'D: HSHIMUYAMA 2021/02/26					
3 PLACES ± 0.25				APPR: SHOSHIKAWA 2021/02/26											
2 PLACES ± 0.3				INITIAL REVISION:											
1 PLACE ±				DRWN: HSHIMABUKURO 2004/03/03											
0 PLACES ±				APPR: MSASAO 2004/03/05											
GENERAL TOLERANCES (UNLESS SPECIFIED)		ANGULAR ±3°		THIRD ANGLE PROJECTION		DRAWING		SERIES							
10 ^{UNDER} ±0.2		30 ^{UNDER} ±0.25		DRAWING		A3-SIZE		53307							
30 ^{OVER} ±0.3		DRAFT WHERE APPLICABLE MUST REMAIN WITHIN DIMENSIONS		DRAWING		SERIES		MATERIAL NUMBER							
DRAFT WHERE APPLICABLE MUST REMAIN WITHIN DIMENSIONS		DRAFT WHERE APPLICABLE MUST REMAIN WITHIN DIMENSIONS		DRAWING		SERIES		CUSTOMER							
DRAFT WHERE APPLICABLE MUST REMAIN WITHIN DIMENSIONS		DRAFT WHERE APPLICABLE MUST REMAIN WITHIN DIMENSIONS		DRAWING		SERIES		SHEET NUMBER							
DRAFT WHERE APPLICABLE MUST REMAIN WITHIN DIMENSIONS		DRAFT WHERE APPLICABLE MUST REMAIN WITHIN DIMENSIONS		DRAWING		SERIES		GENERAL MARKET							
DRAFT WHERE APPLICABLE MUST REMAIN WITHIN DIMENSIONS		DRAFT WHERE APPLICABLE MUST REMAIN WITHIN DIMENSIONS		DRAWING		SERIES		2 OF 2							