
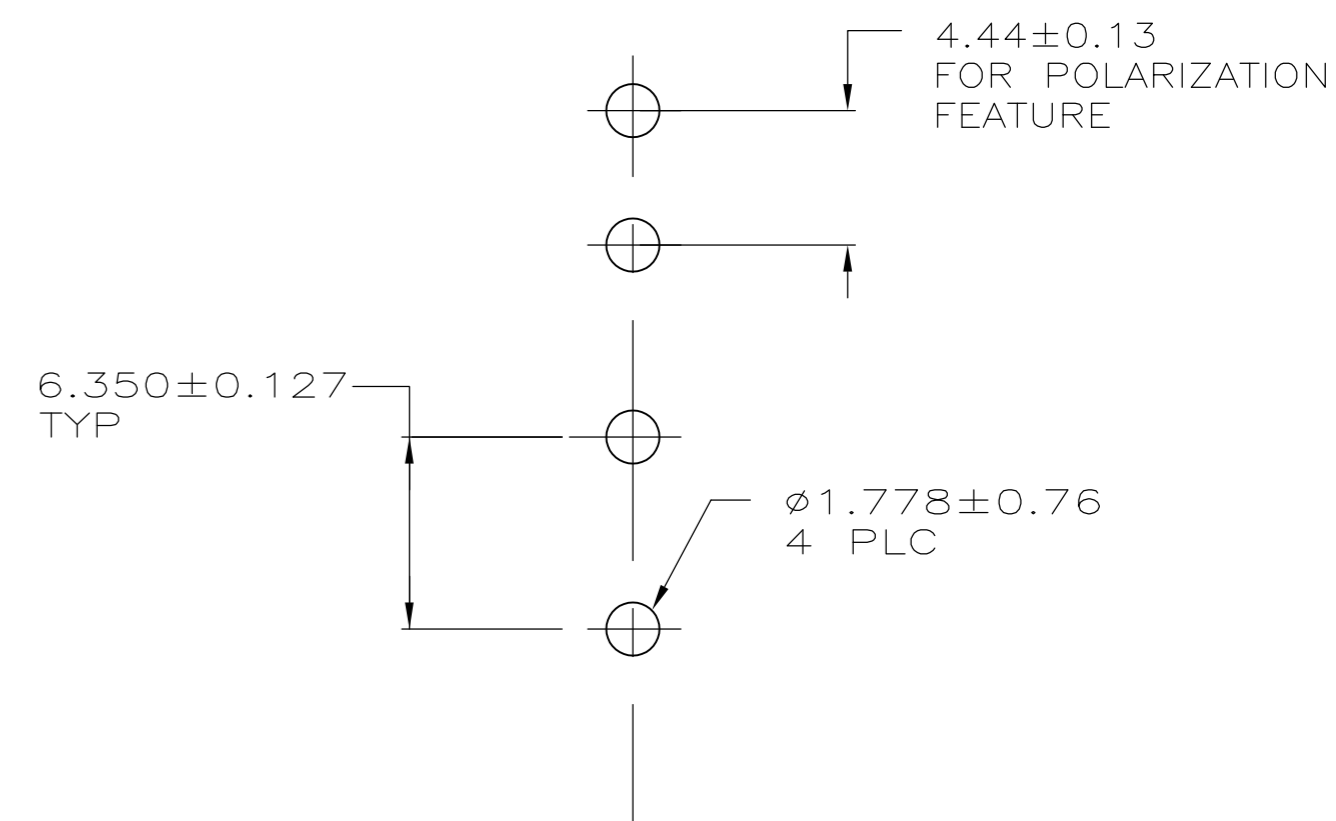
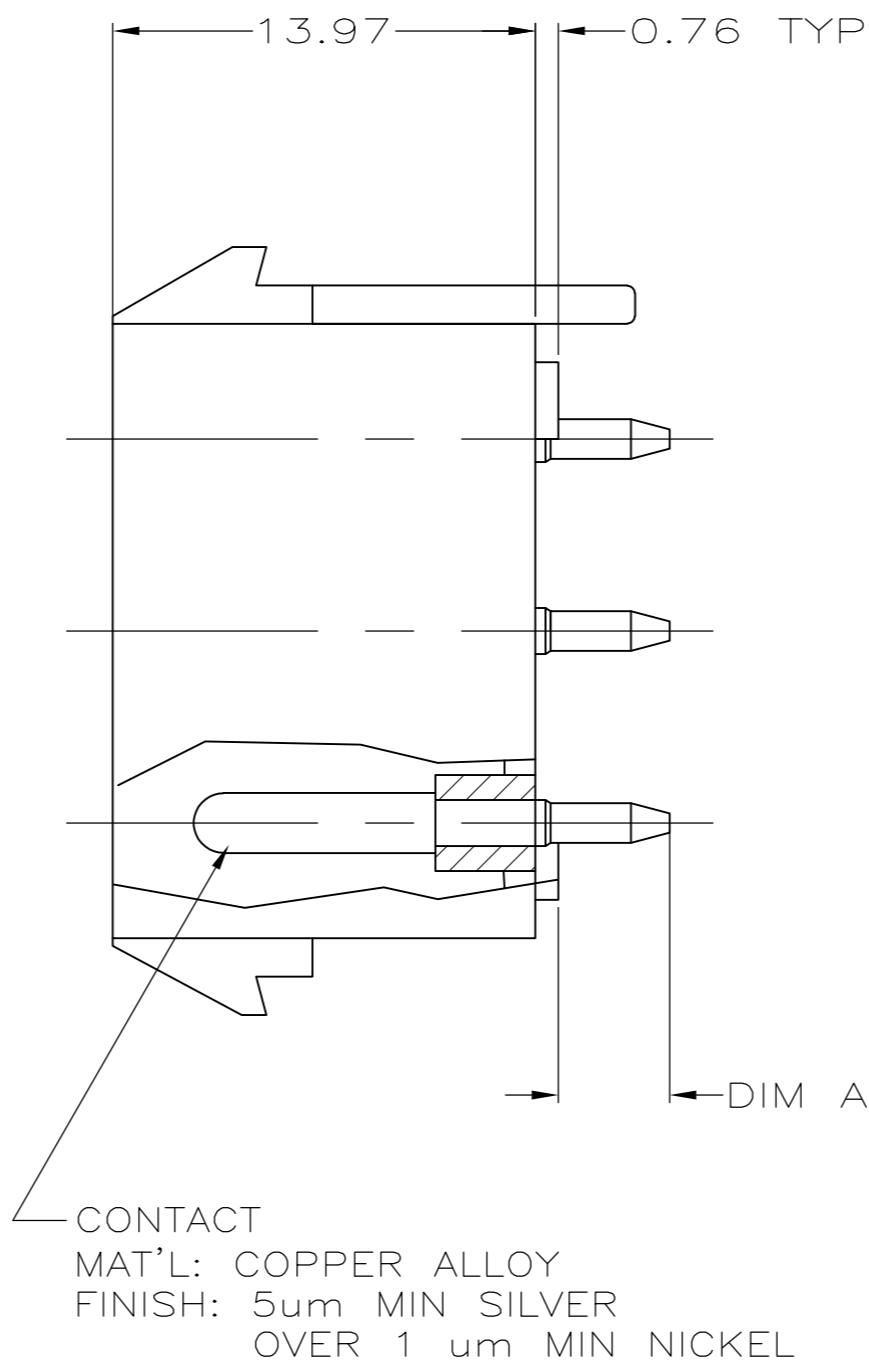
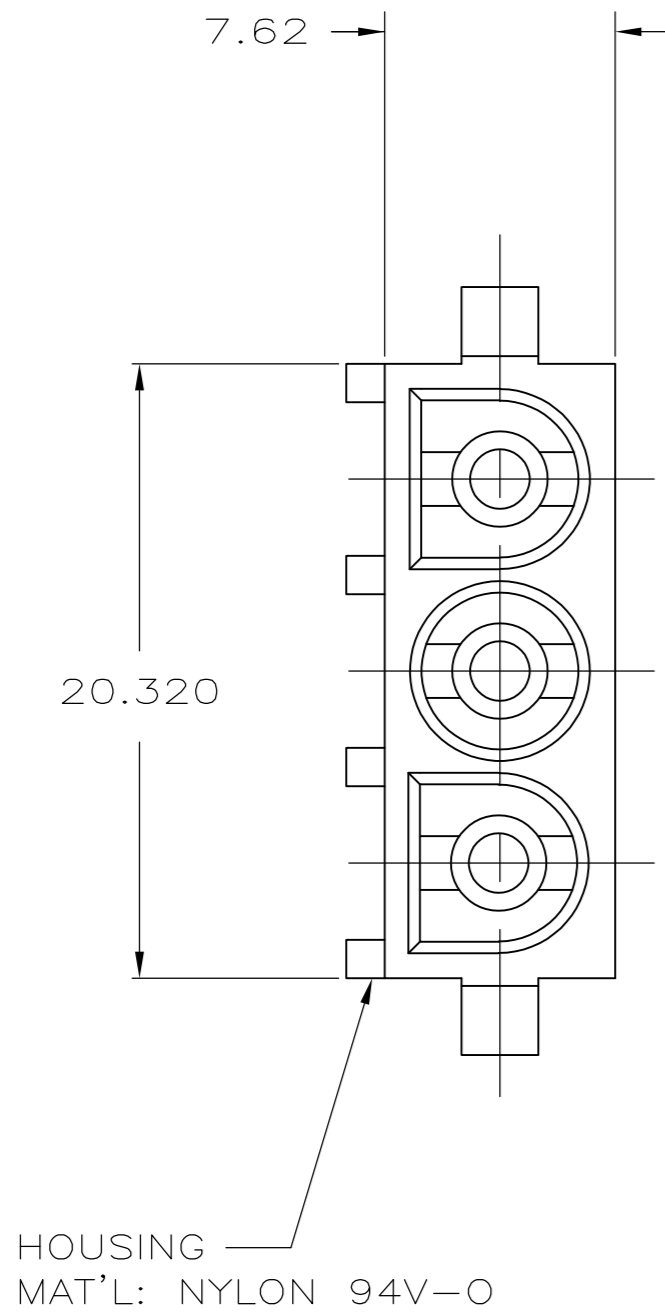


THIS DRAWING IS UNPUBLISHED. RELEASED FOR PUBLICATION
 © COPYRIGHT - By - ALL RIGHTS RESERVED.


LOC		DIST		REVISIONS			
P	LTR	DESCRIPTION	DATE	DWN	APVD		
FT	0	F1	REVISED PER ECO-11-004917	11MAR11	RK	HMR	

NOTES:

- MATES WITH MATE-N-LOK 11 PLUG CONNECTOR USING PN 193797-1 SOCKET CONTACTS.
 - ALL DIMENSIONS ARE REFERENCE ONLY EXCEPT P.C. LAYOUT.
-  PRELIMINARY PART NUMBER.



RECOMMENDED LAYOUT FOR
1.57 THICK PC BOARD

	YES	4.32	194017-2
	NO	3.68	194017-1
	CONTACTS LUBRICATED	DIM A	PART NO.

THIS DRAWING IS A CONTROLLED DOCUMENT.		DWN	17/NOV/94	TE Connectivity	
DIMENSIONS: mm		CHK	-	HIGH CURRENT VERT. PIN HEADER ASSY, MATE-NLOK II, 3 CIRCUIT	
TOLERANCES UNLESS OTHERWISE SPECIFIED:		APVD	-	SIZE	A2
0 PLC	± -	PRODUCT SPEC	-	CAGE CODE	00779
1 PLC	± -	APPLICATION SPEC	-	DRAWING NO	C=194017
2 PLC	± -			RESTRICTED TO	-
3 PLC	± -			SCALE	4:1
4 PLC	± -			SHEET	1 OF 1
ANGLES	± -			REV	F1
MATERIAL	FINISH	WEIGHT	-	CUSTOMER DRAWING	