

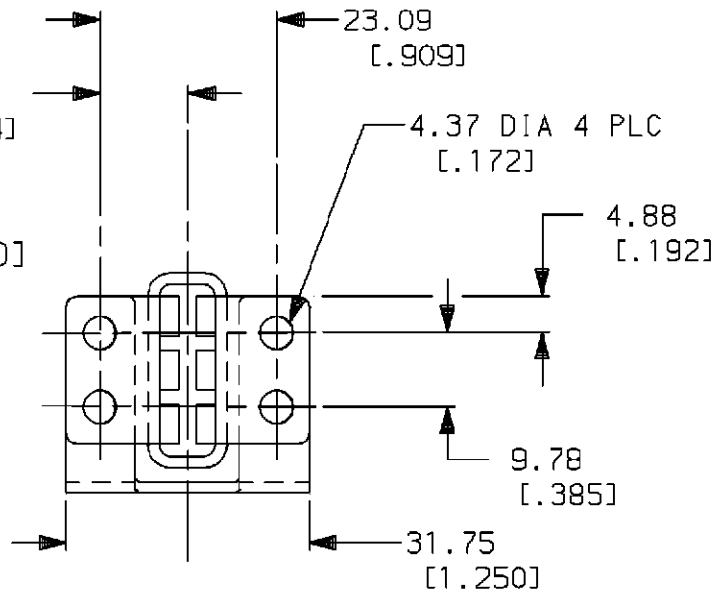
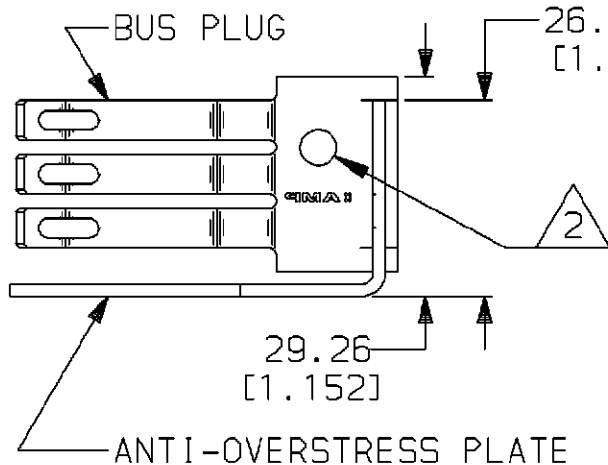
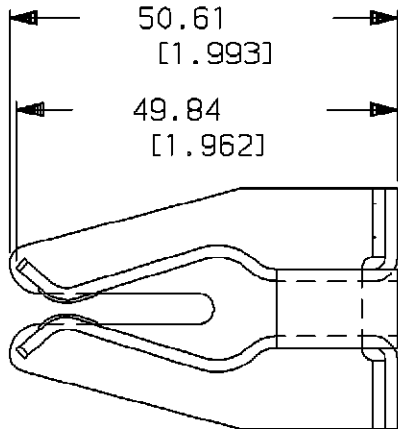


LOC BG	DIST 5	P	F	REVISIONS		
			LTR	DESCRIPTION	DATE	APPROVED
			C	REV PER LC00-0023-96	MAR96	DGA

1. ALL DIMENSIONS REFERENCE ONLY



2 PART MAY HAVE HOLE IN THIS LOCATON, BOTH SIDES.



RELEASED FOR PUBLICATION
BY AMP OF CANADA LTD. ALL INTERNATIONAL RIGHTS RESERVED.

THIS DRAWING IS UNPUBLISHED.
© COPYRIGHT 19



213647-1

PART NO

DO NOT SCALE PRINT.
UNLESS SPECIFIED
DIMENSIONS IN mm [IN]
TOLERANCES ON:
2 PLC DEC ± -
3 PLC DEC ± -
ANGLES ± -

MATERIAL
BUS PLUG: COPPER ALLOY
ANTI-OVERSTRESS PLATE:
S.S.

FINISH
BUS PLUG: Ag/Ni
ANTI-OVERSTRESS PLATE:
PASSIVATED

DR 12-12-91
J WARD

CHK 12-12-91
J LANDIS

APPD 12-12-91
C WEIDLER

APPD 12-12-91
C WEIDLER

PRODUCT SPEC
108-1101

APPLICATION SPEC
114-02111

WEIGHT -



AMP of CANADA Ltd.
Markham, Ont.

NAME

AMP PDS 125F3 BUS PLUG
W/GUIDE (SHORT)

SIZE

CAGE CODE

DRAWING NO



09482

213647

SCALE

NTS

SHEET

1 OF 1

