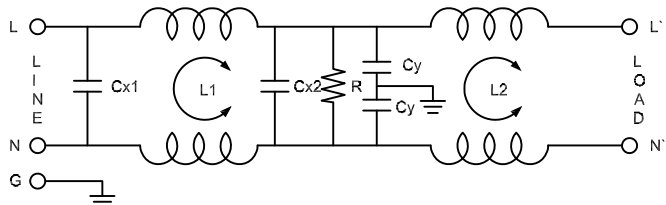
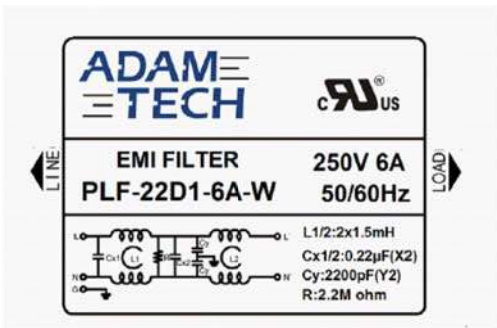
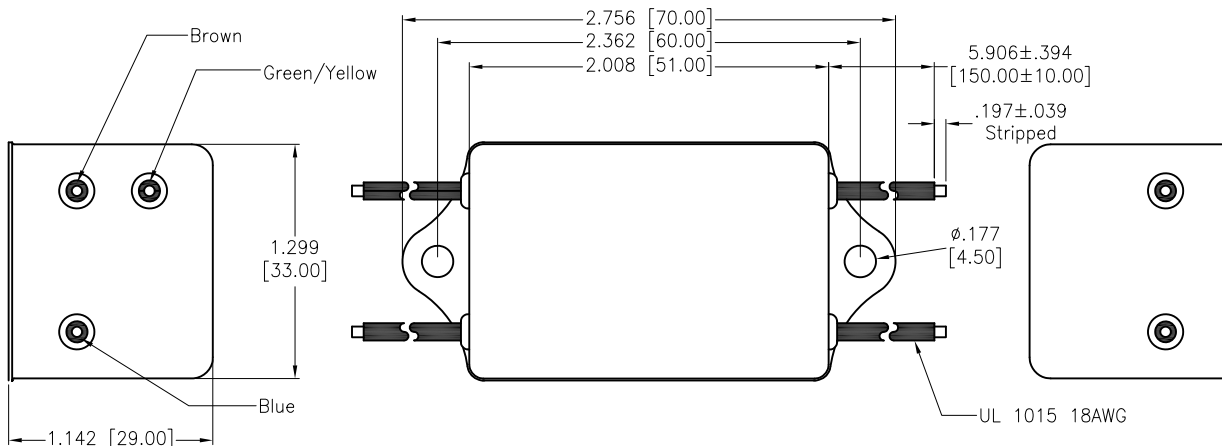


APPROVED: _____
 DATE: _____ TITLE: _____

Rev	AWO #	Description	Date	Appr
-		RELEASED	12/6/21	
A		UPDATE DRAWING	4/15/22	WX/RC
B		ADDED DRAWING	5/27/22	WX/RC



L1/2:2x1.5mH
 Cx1/2:0.22uF(X2)
 Cy:2200pF(Y2)
 R:2.2M ohm

SPECIFICATIONS:

Electrical:
 Voltage rating: 115/250 VAC
 Current rating: 115/250 VAC: 6 A RMS max
 Leakage Current: Each Line To Ground
 @115VAC/60HZ 0.3mA max
 @250VAC/50HZ 0.6mA max
 Hipot Rating(For 1 Minute)
 A. Line to Ground: 2,250 VDC
 B. Line to Line: 500 VDC
 IR: 50 Mohm @500 VDC Any Input or Output to Ground
 Temperature Rating:
 -25°C to +85°C
 Environmental:
 Lead free, RoHS compliant



UNLESS OTHERWISE SPECIFIED ALL DIMENSIONS ARE INCHES [MM]. TOLERANCES: EXCEPT AS NOTED		
INCHES		HOLES
.X ±.10	ØX ±.10	
.XX ±.020	ØXX ±.015	
.XXX ±.015	ØXXX ±.010	
DRAWN	WX	12/6/21
CHECKED	RC	12/6/21
APPROVED		
THIS DRAWING CONTAINS INFORMATION THAT IS PROPRIETARY AND SHOULD NOT BE USED WITHOUT PRIOR WRITTEN PERMISSION FROM ADAM TECH		

ADAM TECH		909 Rahway Avenue, Union, NJ 07083 Phone: 908-687-5000 Fax: 908-687-5710	
TITLE EMI/RF POWER FILTER, WIRE LEADS W/CHASSIS MOUNT			
SIZE X	PART NO. PLF-22D1-6A-W	REV. B	
REF: S00205C	SCALE: NTS	SHEET 1 OF 2	

6 5 4 3 2 1

6 5 4 3 2 1

6

5

4

3

2

1

APPROVED: _____

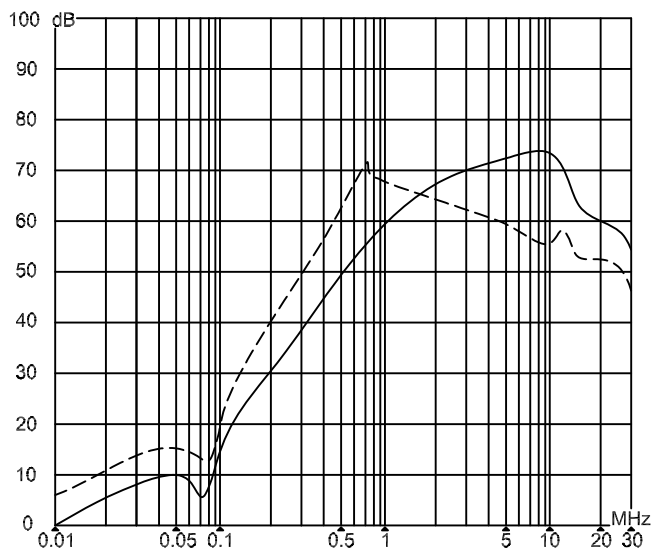
DATE: _____ TITLE: _____

Rev	AWO #	Description	Date	Appr
-----	-------	-------------	------	------

SEE SHT 1 OF 2 FOR REVISION

INSERTION LOSS(IN 50 ohm system according IEC/CISPR

————— (common mode)
 - - - - - (differential mode)



UNLESS OTHERWISE SPECIFIED ALL DIMENSIONS ARE INCHES [MM]. TOLERANCES: EXCEPT AS NOTED

INCHES		HOLES	
.X	± .10	Ø.X	± .10
.XX	± .020	Ø.XX	± .015
.XXX	± .015	Ø.XXX	± .010



909 Rahway Avenue,
Union, NJ 07083
Phone: 908-687-5000
Fax: 908-687-5710

DRAWN	WX	12/6/21
CHECKED	RC	12/6/21
APPROVED		

TITLE	EM/RF POWER FILTER, WIRE LEADS W/CHASSIS MOUNT
-------	---

THIS DRAWING CONTAINS INFORMATION THAT IS PROPRIETARY AND SHOULD NOT BE USED WITHOUT PRIOR WRITTEN PERMISSION FROM ADAM TECH

SIZE	PART NO.	REV.
X	PLF-22D1-6A-W	B
REF:	S00205C	SCALE: NTS
		SHEET 2 OF 2

6

5

4

3

2

1