

207464-7 ✓ ACTIVE

AMPLIMITE

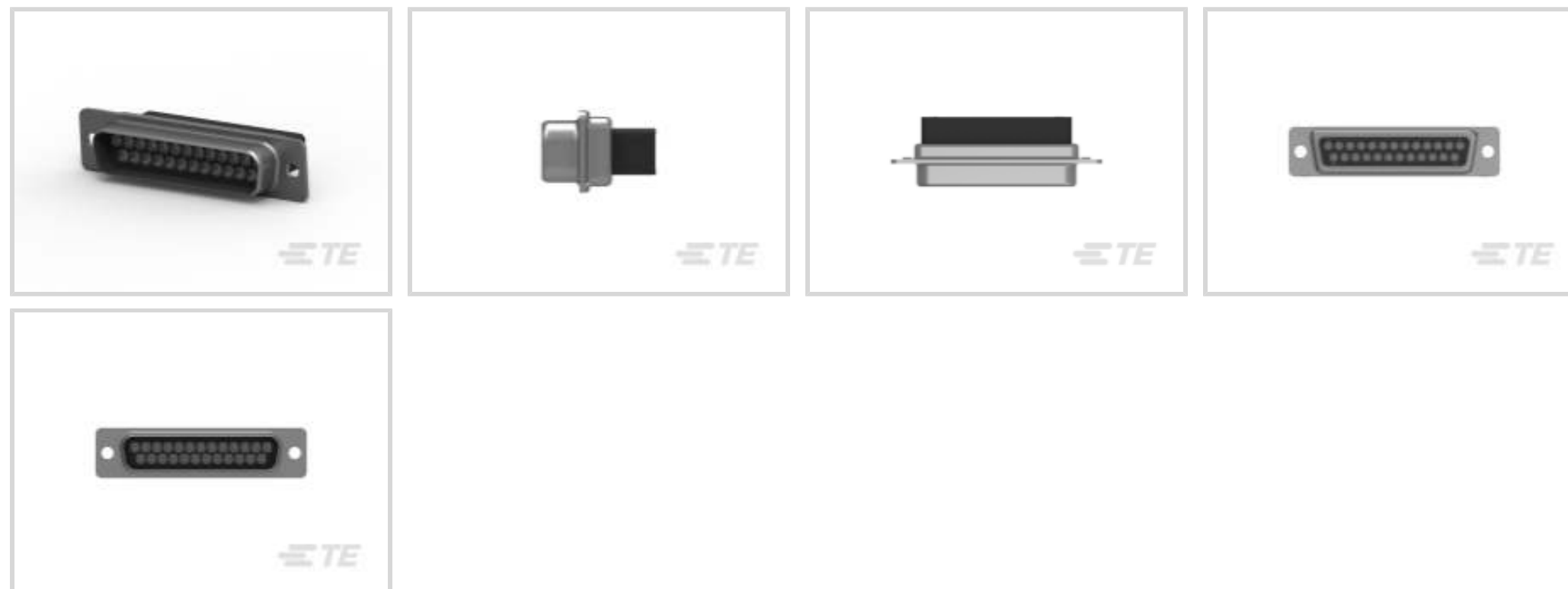
TE Internal #: 207464-7

Crimp D-Sub Connectors, Plug, Cable-to-Cable, 25 Position,
Contact Size Size 20, 3 Connector Shell Size, Mating Retention,
Shielded

[View on TE.com >](#)



Connectors > D-Shaped Connectors > D-Sub Connectors > Crimp D-Sub Connectors > D-Sub Crimp: Plug, Signal, 25 Posn, Pin Size 20, Shell Size 3



Connector & Housing Type: **Plug**

Connector System: **Cable-to-Cable**

Number of Positions: **25**

Contact Size: **Size 20**

Connector Shell Size: **3**

[All D-Sub Crimp: Plug, Signal, 25 Posn, Pin Size 20, Shell Size 3 \(9\)](#)

Features

Product Type Features

Shell Material Configuration	Full Metal Shell
Connector & Housing Type	Plug
Connector System	Cable-to-Cable
Connector Shell Size	3
Sealable	No
Connector & Contact Terminates To	Wire & Cable

Configuration Features

Number of Positions	25
---------------------	----

Body Features

Insert Material	Thermoplastic
Shield Material	Steel
Shell Plating Material	Tin



Contact Features

Contact Size	Size 20
--------------	---------

Mechanical Attachment

Mating Retention	With
Mating Retention Type	Mounting Holes

Housing Features

Shell Material	Steel
Centerline (Pitch)	2.74 mm[.108 in]

Usage Conditions

Operating Temperature Range	-55 – 105 °C[-67 – 221 °F]
-----------------------------	----------------------------

Operation/Application

Shielded	Yes
Circuit Application	Signal

Industry Standards

UL Flammability Rating	UL 94V-0
------------------------	----------

Packaging Features

Packaging Quantity	400
Packaging Method	Package

Other

D-Shaped Connectors Comment	Plugs accept size 20 DF pin contacts.
-----------------------------	---------------------------------------

Product Compliance

[For compliance documentation, visit the product page on TE.com>](#)

EU RoHS Directive 2011/65/EU	Compliant
EU ELV Directive 2000/53/EC	Compliant
China RoHS 2 Directive MIIT Order No 32, 2016	No Restricted Materials Above Threshold
EU REACH Regulation (EC) No. 1907/2006	Current ECHA Candidate List: JUNE 2023 (235) Candidate List Declared Against: JUNE 2023 (235) Does not contain REACH SVHC
Halogen Content	Not Low Halogen - contains Br or Cl > 900 ppm.
Solder Process Capability	Not applicable for solder process capability



Product Compliance Disclaimer

This information is provided based on reasonable inquiry of our suppliers and represents our current actual knowledge based on the information they provided. This information is subject to change. The part numbers that TE has identified as EU RoHS compliant have a maximum concentration of 0.1% by weight in homogenous materials for lead, hexavalent chromium, mercury, PBB, PBDE, DBP, BBP, DEHP, DIBP, and 0.01% for cadmium, or qualify for an exemption to these limits as defined in the Annexes of Directive 2011/65/EU (RoHS2). Finished electrical and electronic equipment products will be CE marked as required by Directive 2011/65/EU. Components may not be CE marked. Additionally, the part numbers that TE has identified as EU ELV compliant have a maximum concentration of 0.1% by weight in homogenous materials for lead, hexavalent chromium, and mercury, and 0.01% for cadmium, or qualify for an exemption to these limits as defined in the Annexes of Directive 2000/53/EC (ELV). Regarding the REACH Regulation, the information TE provides on SVHC in articles for this part number is based on the latest European Chemicals Agency (ECHA) 'Guidance on requirements for substances in articles' posted at this URL: <https://echa.europa.eu/guidance-documents/guidance-on-reach>

Compatible Parts



TE Part # CAT-035-DCRSS203
D-Sub Crimp Recpt Signal 25 Posn,
Socket Size 20, Shell Size 3



TE Part # CAT-035-DCPPS203
D-Sub Crimp: Plug, Signal, 25 Posn,
Pin Size 20, Shell Size 3

Customers Also Bought



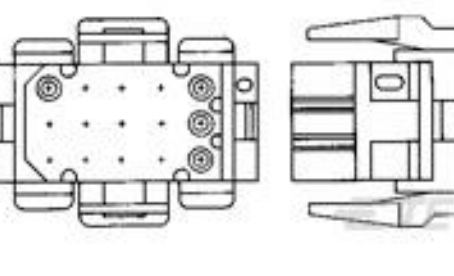
TE Part #205206-8
HDP-20,PLUG,SIZE 2, 15 POSN



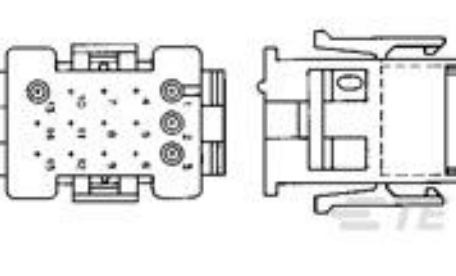
TE Part #205204-8
HDP-20,PLUG,SIZE 1, 9 POSN



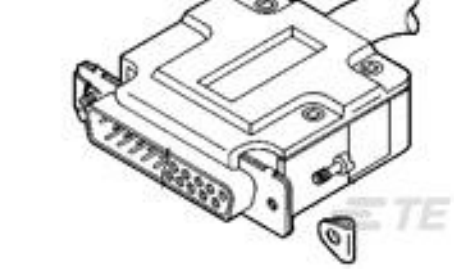
TE Part #207463-1
CRIMP SNAP RCPT ASSY,SZ 3



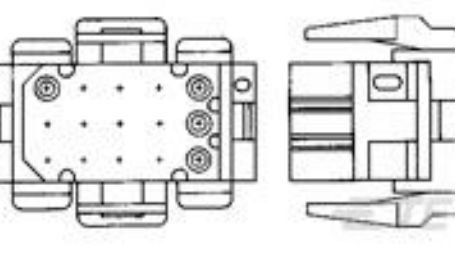
TE Part #1-640523-0
15P MR II PLUG HSG V0



TE Part #1-640514-0
20P MR II CAP HSG V0



TE Part #1-5207908-0
KIT S/R SCREW RET 90/180 DEG



TE Part #1-640524-0
20P MR II PLUG HSG V0



TE Part #6368115-1
MJ,TE,8P,SHLD,PNL STOPS&GRD,
HTN

TE Part #867534-1
LGH 6 POS PLUG KITTE Part #C62715-000
CI-01375AALSXXC7B3

Documents

Product Drawings

[HDP-20,PLUG,SIZE 3, 25 POSN](#)

English

CAD Files

[3D PDF](#)

3D

Customer View Model

[ENG_CVM_CVM_207464-7_M.2d_dxf.zip](#)

English

Customer View Model

[ENG_CVM_CVM_207464-7_M.3d_igs.zip](#)

English

Customer View Model

[ENG_CVM_CVM_207464-7_M.3d_stp.zip](#)

English

By downloading the CAD file I accept and agree to the [Terms and Conditions](#) of use.

Datasheets & Catalog Pages

[AMPLIMITE Subminiature D Connectors - Cable Connectors](#)

English

[AMPLIMITE Cable Connectors and Shielding Hardware Kits QRG](#)

English

Product Specifications

[Application Specification](#)

English

Product Environmental Compliance

[Product Compliance Document](#)

English

[Product Compliance Document](#)

English

Instruction Sheets

[Instruction Sheet \(U.S.\)](#)



English

[Agency Approvals](#)

[UL Report](#)

English