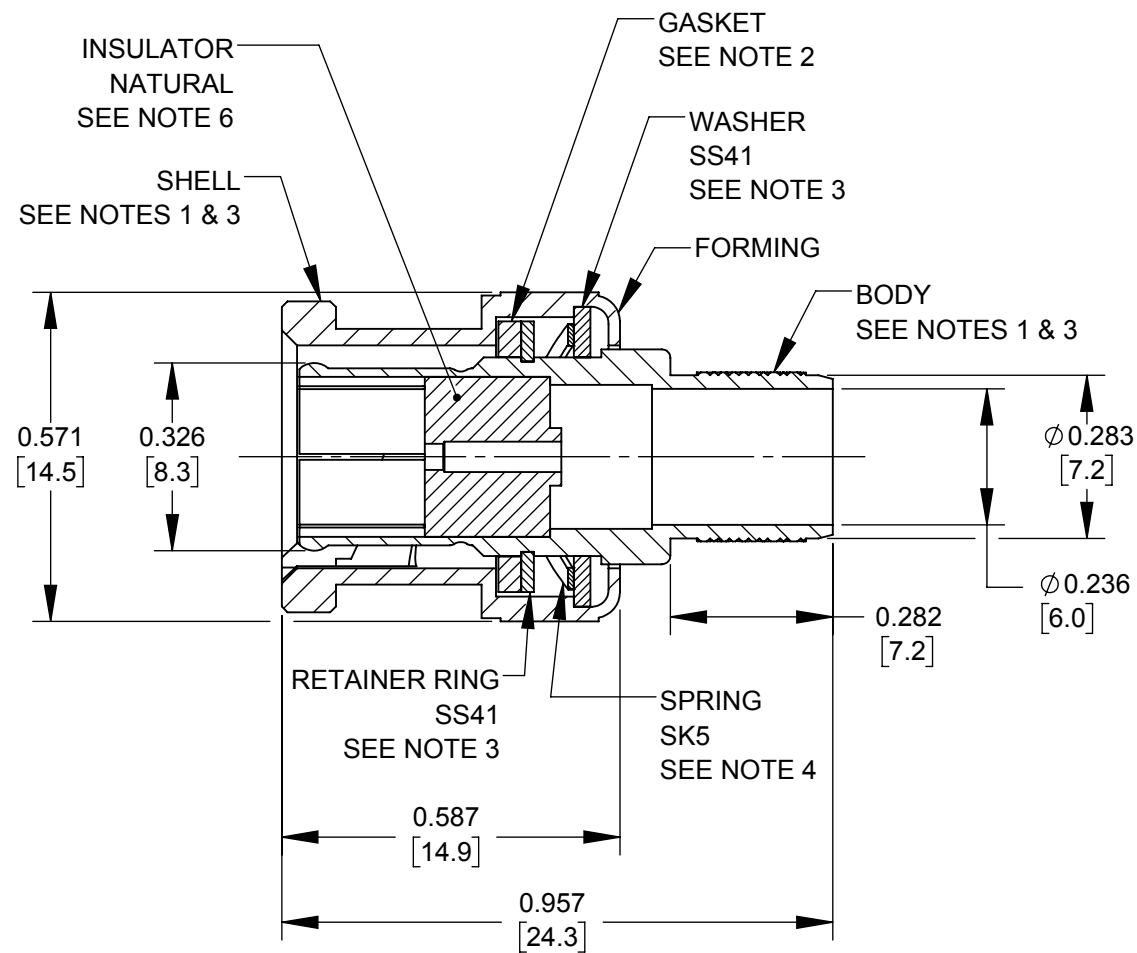
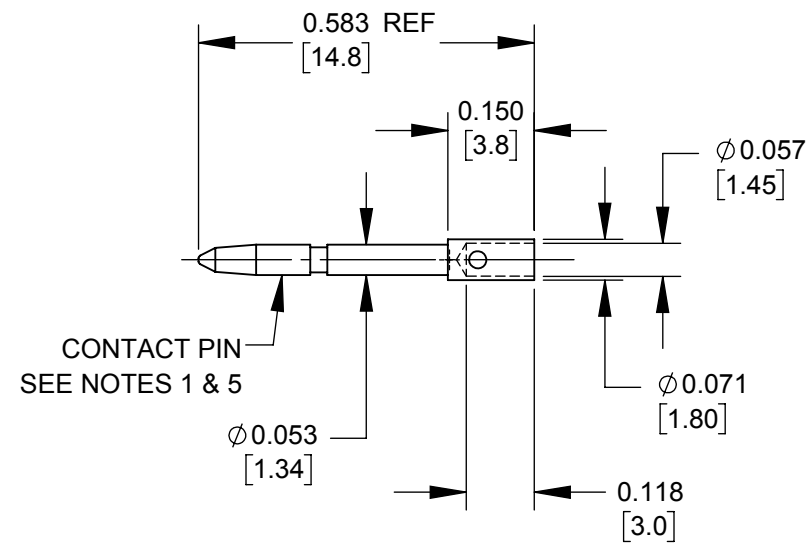


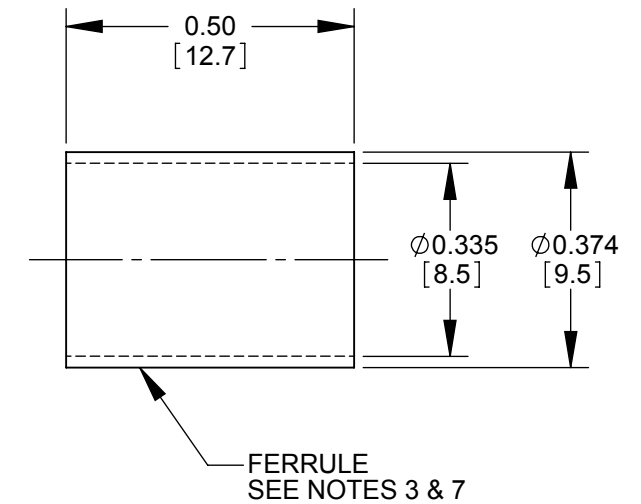
RECOMMENDED
CABLE STRIPPING DIMENSIONS



SECTION A-A



CONTACT PIN
SEE NOTES 1 & 5



FERRULE
SEE NOTES 3 & 7

NOTES:

FINISH (PLATING THICKNESS IN MICRO-INCHES)

1. BRASS PER QQ-8-626
2. RED SILICONE
3. NICKEL PLATING 100 MIN THICK OVER COPPER STRIKE.
4. NICKEL PLATING 200 MIN THICK OVER COPPER STRIKE.
5. GOLD PLATING 50 MIN THICK OVER NICKEL PLATING 70 MIN THICK OVER COPPER STRIKE.
6. TEFLON MIL-P-19468
7. BRASS JIS H 3250, C 2700
8. CRIMPED FERRULE HEX CRIMP SIZE 0.324
9. CRIMPED CONTACT PIN HEX CRIMP SIZE 0.057
10. ALL DIMENSIONS ARE FOR REFERENCE ONLY UNLESS OTHERWISE SPECIFIED.
11. USE SWITCHCRAFT CRIMPING TOOL UHDBNC47CR.
12. THIS PRODUCT MEETS SMPTE ST 2082-1 THRU 20 GHZ.
13. THIS PRODUCT IS RoHS COMPLIANT.

CUSTOMER DRAWING

REV	ECO NUMBER	DATE	BY	APVD
A	27942	11-28-17	PC	TJK
REVISIONS				

UNLESS OTHERWISE SPECIFIED				
1. ALL DIMENSIONS IN INCHES [mm]				
- TWO PLACE DECIMALS ±0.02 [0.5]				
- THREE PLACE DECIMALS ±0.005 [0.13]				
DO NOT SCALE DRAWING				

THIS DRAWING DESCRIBES A DESIGN CONSIDERED PROPRIETARY IN NATURE, DEVELOPED AND MANUFACTURED BY SWITCHCRAFT INC. AND IS RELEASED ON A CONFIDENTIAL BASIS FOR IDENTIFICATION PURPOSES ONLY.									
SIZE		WIDTH		MULT		LBS/M		TEMPER	
FINISH					MATERIAL				
SPEC No.					SPEC No.				
FIRST USED ON				SCALE					
				3:1					
DATE DRAWN		BY		CHKD		APVD			
12-12-16		SRC		SRC		TJK			
				12-12-16		11-28-17			
NAME								PART No.	
UHD BNC FOR CABLE B4794R								UHDBNC47	
								REV	
								A	