

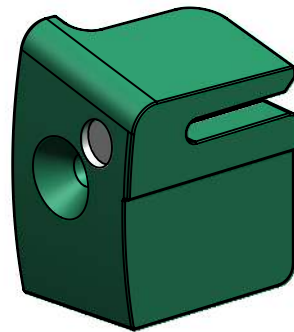
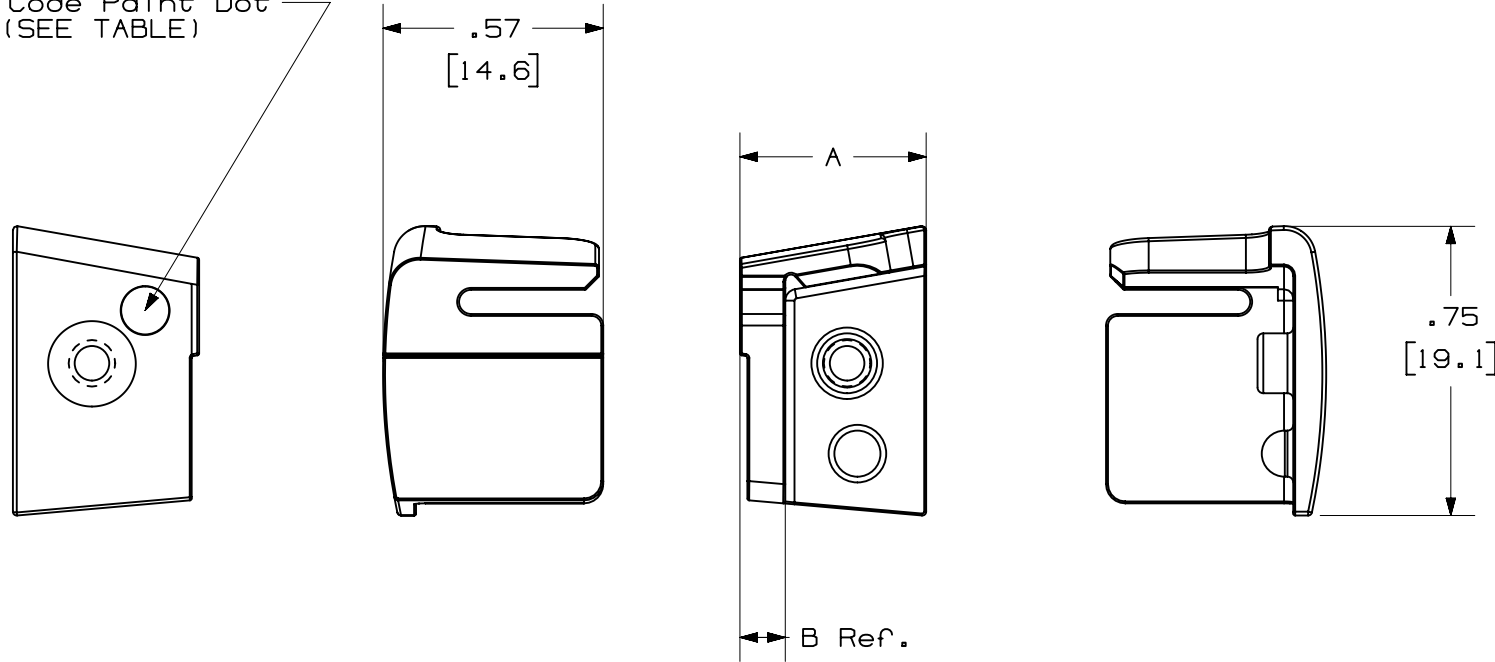
EXTENDED BLADE GUARD KITS

SEE NOTE

PART NO.	For use w/TOOLS:	DIM. A	DIM. B	Max. Cut-off Length	COLOR CODE
BG3GTS-E	GTS-E, GS2B-E & PTS	.484 (12.3mm)	.118 (3mm)	.118 (3mm)	WHITE

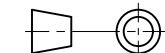
1. DIMENSIONS IN [] ARE METRIC.
2. ALL MATERIALS AND COMPONENTS USED MEET THE MATERIAL RESTRICTIONS OF RoHS (EUROPEAN DIRECTIVE 2011/65/EU ON THE RESTRICTION OF HAZARDOUS SUBSTANCES) AS PROPOSED BY THE RoHS TECHNICAL ADAPTATION COMMITTEE.
3. BLADE GUARD KITS INCLUDE:
BLADE GUARD
REPLACEMENT SCREW
THREADLOCKER
4. CABLE TIE CUT-OFF LENGTH WILL NOT EXCEED MAX. CUT-OFF LENGTH IN TABLE. CUT-OFF LENGTH IS DEPENDENT ON VARIOUS ELEMENTS INCLUDING CABLE TIE STYLE, DISTANCE BETWEEN LOCKING SERRATIONS, CONDITION OF THE TIES (DRY VS. MOISTURE CONDITION), SPEED OF TOOL ACTUATION.

Color Code Paint Dot
(SEE TABLE)



REV	DATE	BY	CHK	APR	DESCRIPTION	ECN
01	1/16/20	LAH	RDSE	ALP	INITIAL RELEASE	056506

PART NUMBER		BG#GTS-E	
TITLE			
Extended Blade Guard for GTS-E & GS2B-E			
CUSTOMER DRAWING			
ITEM REVISION NAME		R29223BA/07	
DATASET FILE NAME		R29223BA-07-dwg2	
MATERIAL		N/A	
DRAWN BY		DATE	CHK
LAH		1/6/20	RDSE
SCALE		2:1	
DRAWING NUMBER			WB29223B01
SHEET 1 OF 1			SIZE B



THIRD ANGLE
PROJECTION

B-SIZE CUSTOMER