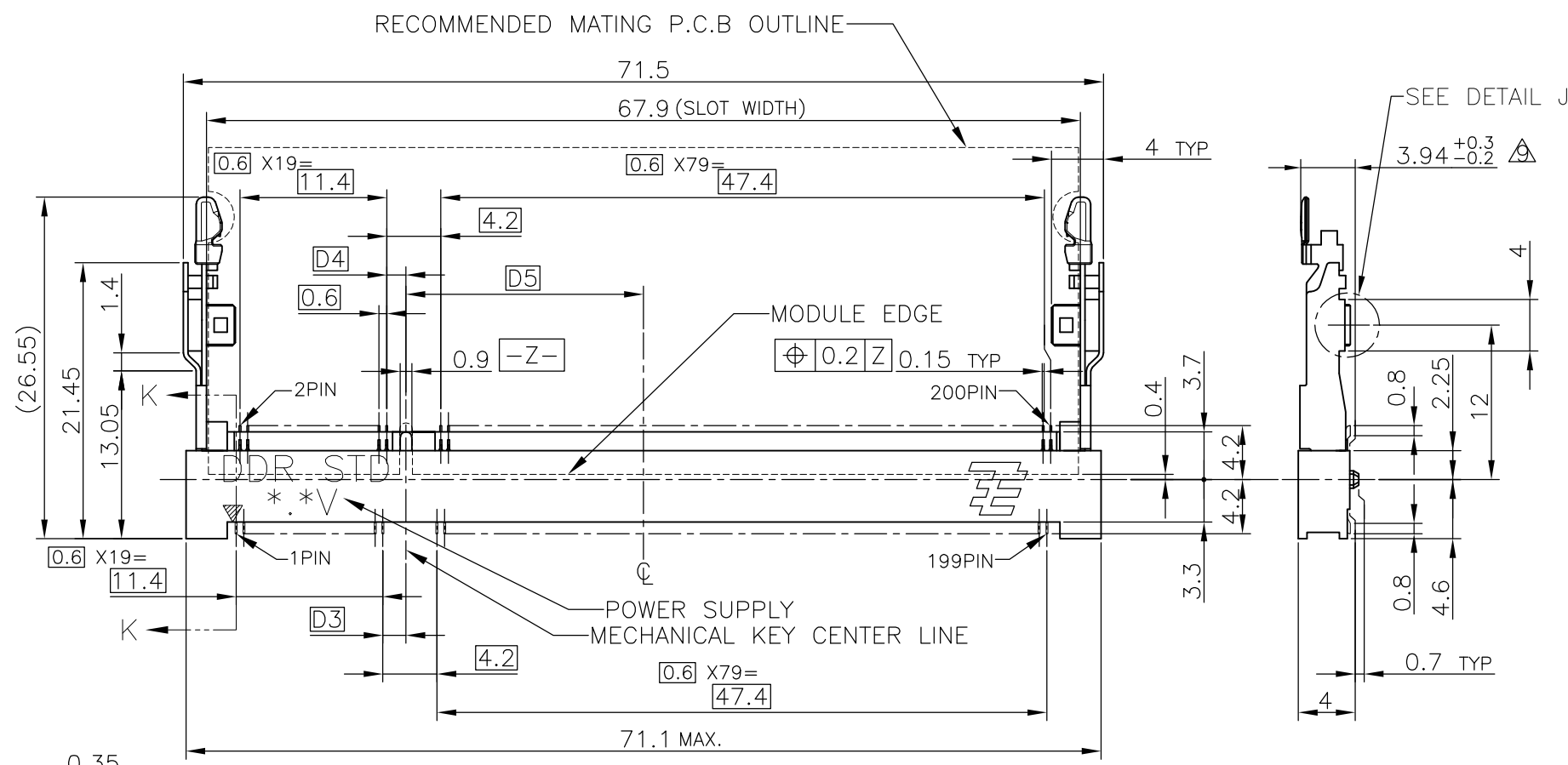
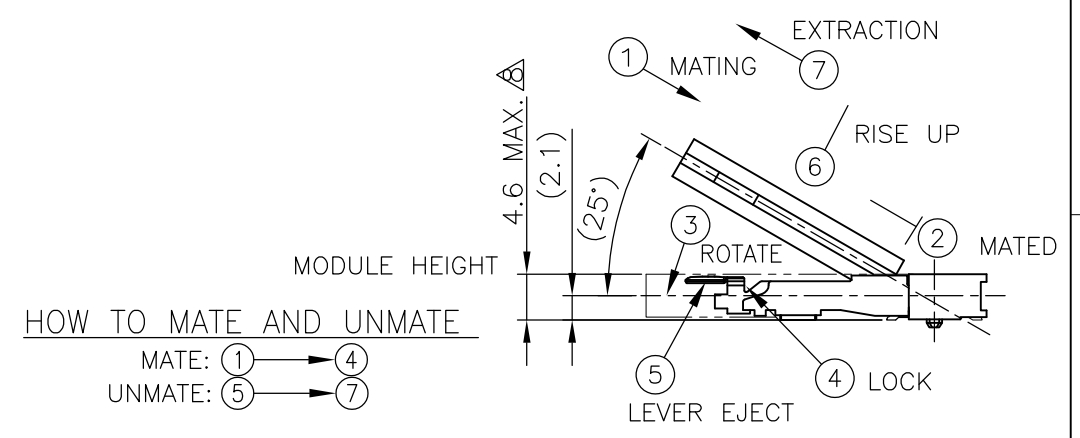
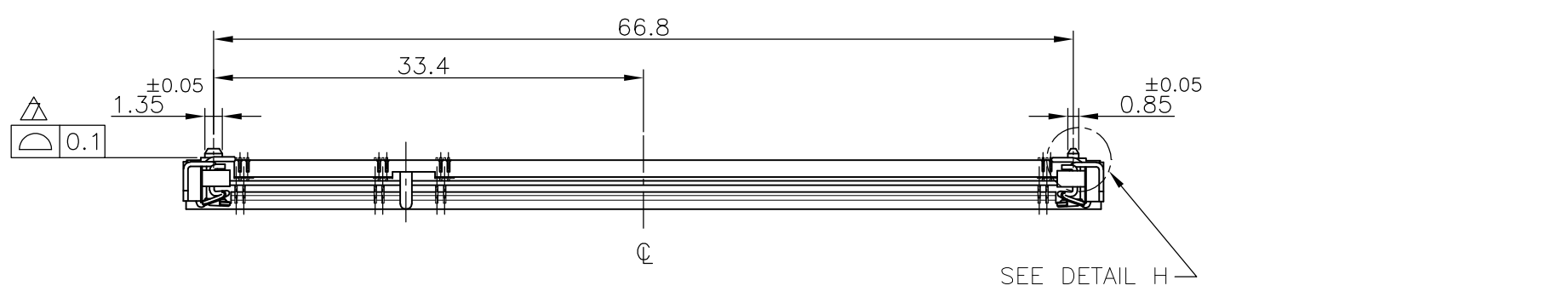
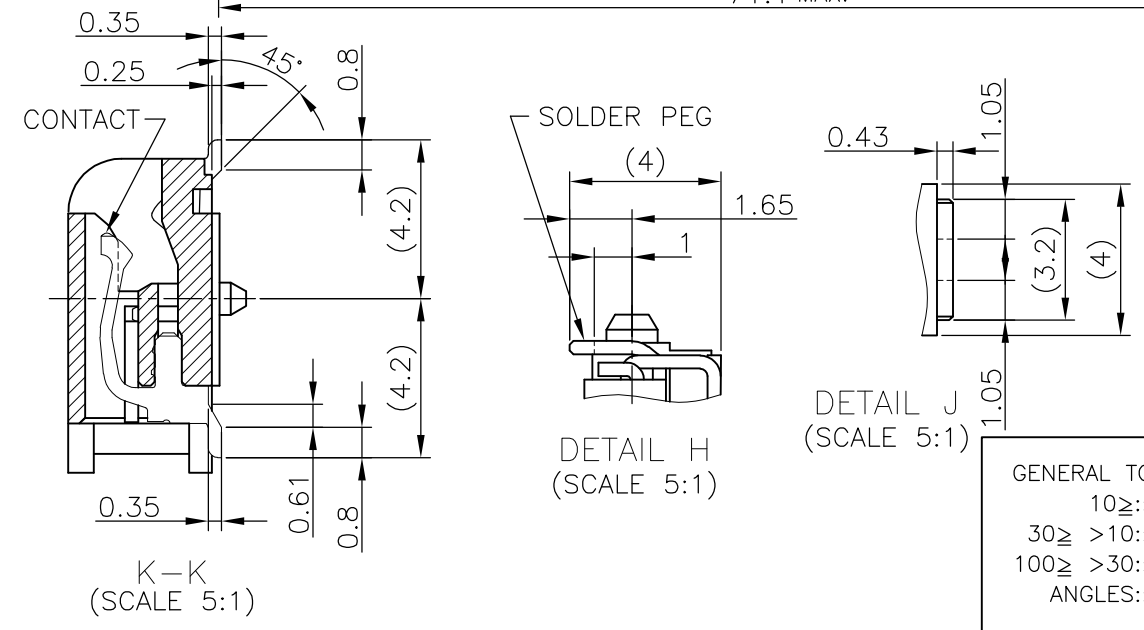


THIS DRAWING IS UNPUBLISHED. RELEASED FOR PUBLICATION OCT ,2001.  
 © COPYRIGHT 2001 BY TYCO ELECTRONICS CORPORATION. ALL RIGHTS RESERVED.

LOC	DIST	REVISIONS			
P	LTR	DESCRIPTION	DATE	DWN	APVD
J					
	D1	ECR-10-014776	20JUL10	B.W	S.Y



- (APPLIED TO SHEET 1-2)
- MATERIAL ; HOUSING: HIGH TEMPERATURE THERMO PLASTIC UL94V-0  
CONTACT: COPPER ARROY  
LOCK LEVER: STAINLESS STEEL
  - FINISH ; CONTACT AREA: GOLD FLASH ON 0.0013MIN ALL OVER NICKEL.  
SOLDERING AREA: GOLD FLASH PLATING.  
LOCK LEVER: TIN PLATING.
- ⚠ MECHANICAL KEY POSITION OF CONNECTOR SEE TABLE.
  - ⚠ TOLERANCES NON-CUMULATIVE.
  - ⚠ NOT TO SCALE.
  - ⚠ [ ] INSIDE MUST BE RESIST COAT EXCEPT SOLDER PATTERN.
  - ⚠ COPLANARITY : 0.1 MAX.
  - ⚠ THE FLOATING VALUE BY SOLDERING IS NOT INCLUDED.
  - ⚠ NOT MATING CONDITION.
- 10 IF THE MODULE DOESN'T INSERT AND LOCK IN THE LATCH SMOOTHLY, OPEN WIDE BOTH LATCHES BY MANUAL. AND THE MODULE MUST BE INSERTED AND LOCKED IN THE LATCH.



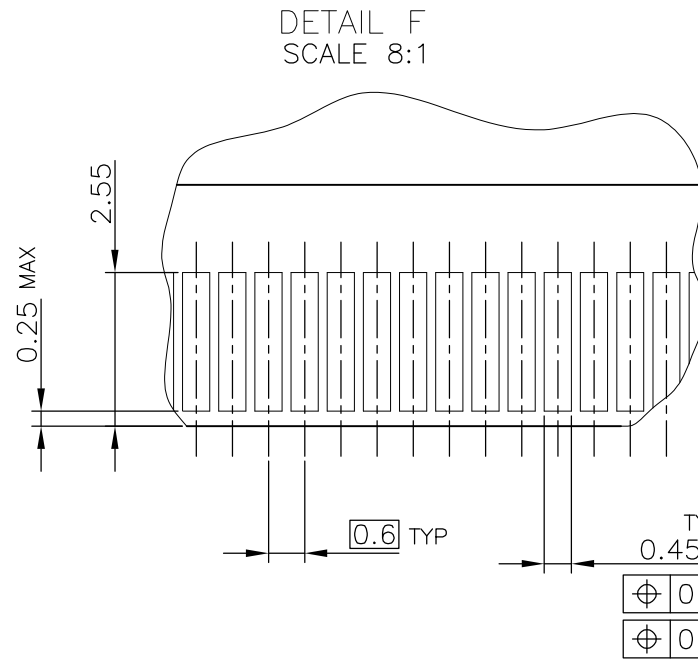
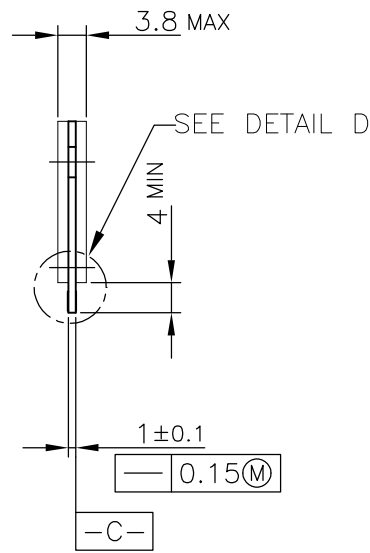
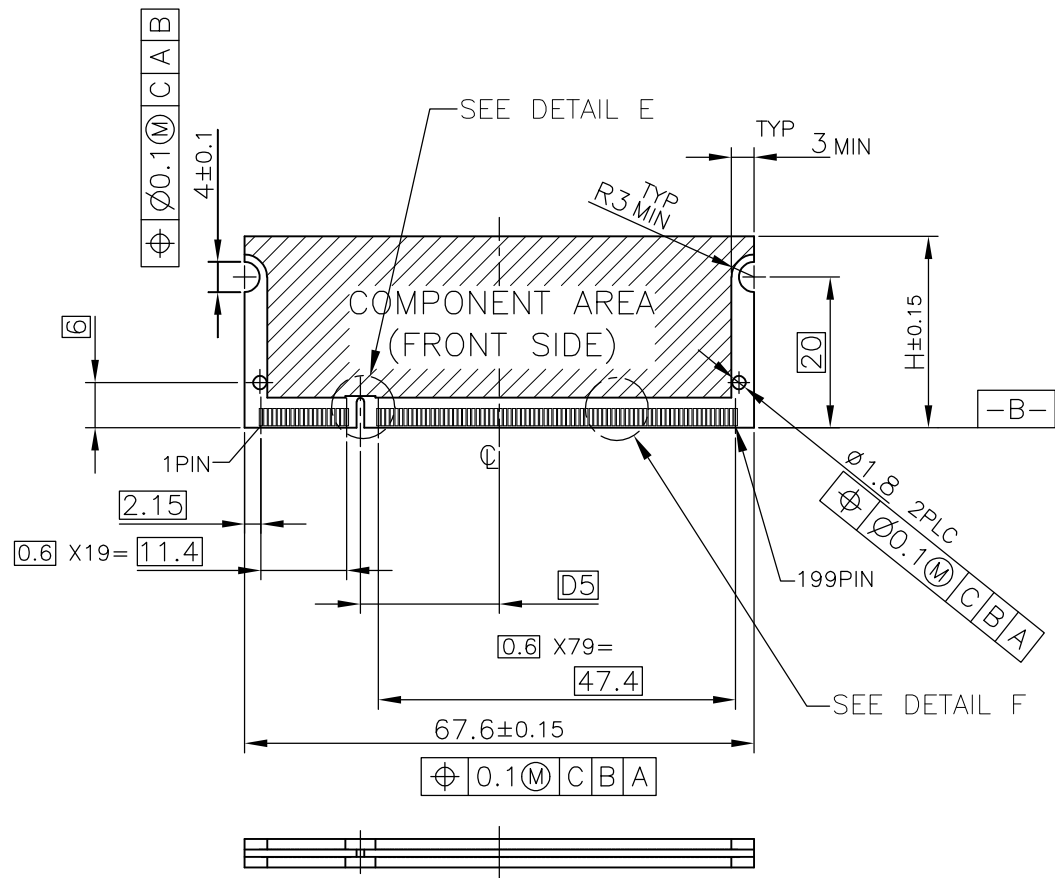
GENERAL TOLERANCE  
 10 ≥ : ±0.2  
 30 ≥ >10: ±0.25  
 100 ≥ >30: ±0.3  
 ANGLES: ±3°

AVAILABLE	—  —	1.8V (DDR2)	17.55	2.4	2.7	200	1746540-4
NOT AVAILABLE	—  —	2.5V (DDR1)	18.45	1.5	1.8	200	—
TOOLING STATUS	REMARK	POWER SUPPLY	D5	D4	D3	POS	PART NO.
THIS DRAWING IS A CONTROLLED DOCUMENT.		DWN	B.WONG	20JUL10	Tyco Electronics AMP K.K. Kawasaki, Japan		
DIMENSIONS: MM		CHK	C.WANG	20JUL10	NAME		
TOLERANCES UNLESS OTHERWISE SPECIFIED:		APVD	S.YAO	20JUL10	PRODUCT SPEC		
0 PLC ±		108-5701		APPLICATION SPEC			
1 PLC ±		3.2 g		SIZE		RESTRICTED TO	
2 PLC ±		A3		CAGE CODE		DRAWING NO	
3 PLC ±		00779		C=		1746540	
4 PLC ±		CUSTOMER DRAWING		SCALE		SHEET	
ANGLES ±		2:1		1		OF 4	
FINISH ±		REV		D1			

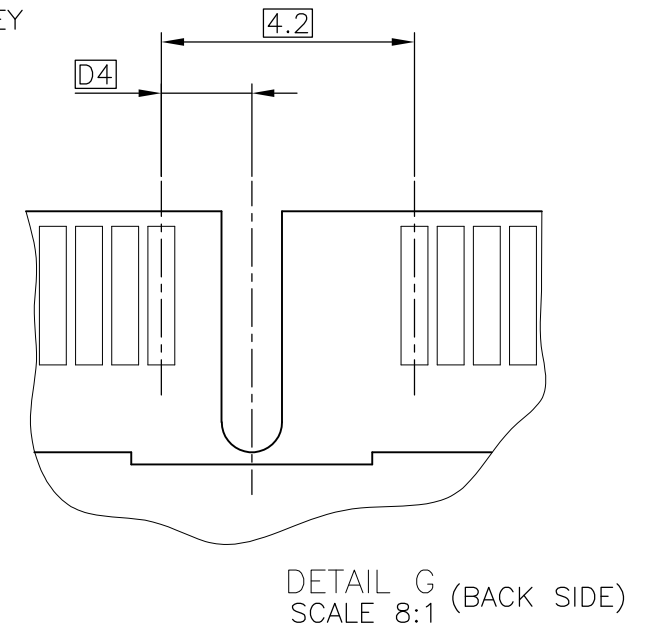
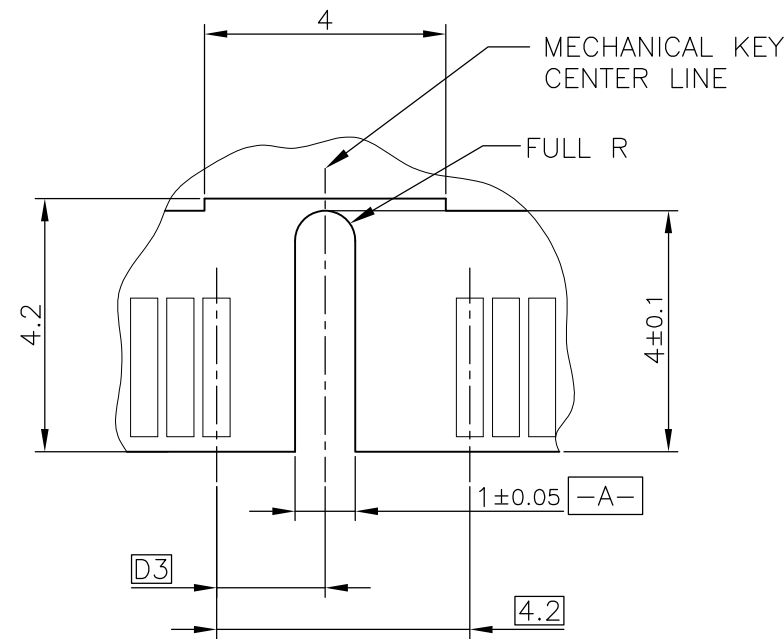
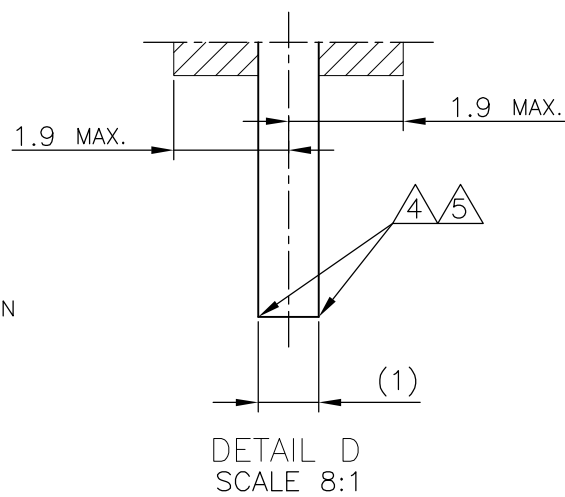
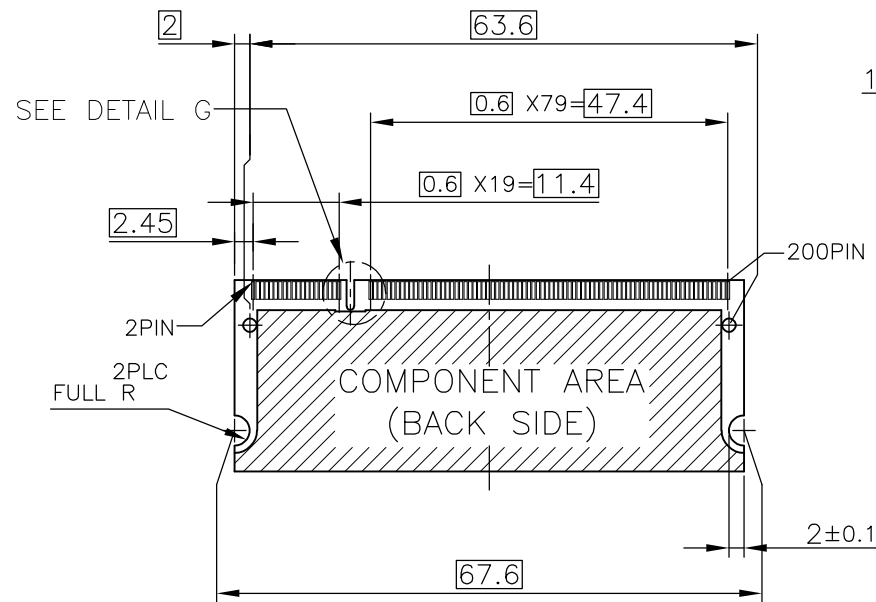


LOC	DIST
J	

REVISIONS				
P	LTR	DESCRIPTION	DATE	APVD
-	-	SEE SHEET 1	-	-



- (APPLIED TO SHEET 3)
1. TOLERANCES ON ALL DIMENSIONS ±0.15 UNLESS OTHERWISE SPECIFIED.
  2. P.C.BOARD THICKNESS APPLIES ACROSS TABS AND INCLUDES PLATING AND/OR METALIZATION.
  3. FINISH OF PAD : GOLD PLATING 0.00076 MIN. OVER Ni PLATING 0.002MIN.
- △ NO BURR
- △ CHAMFER 0.25 MAX x 45° IF EXIST.



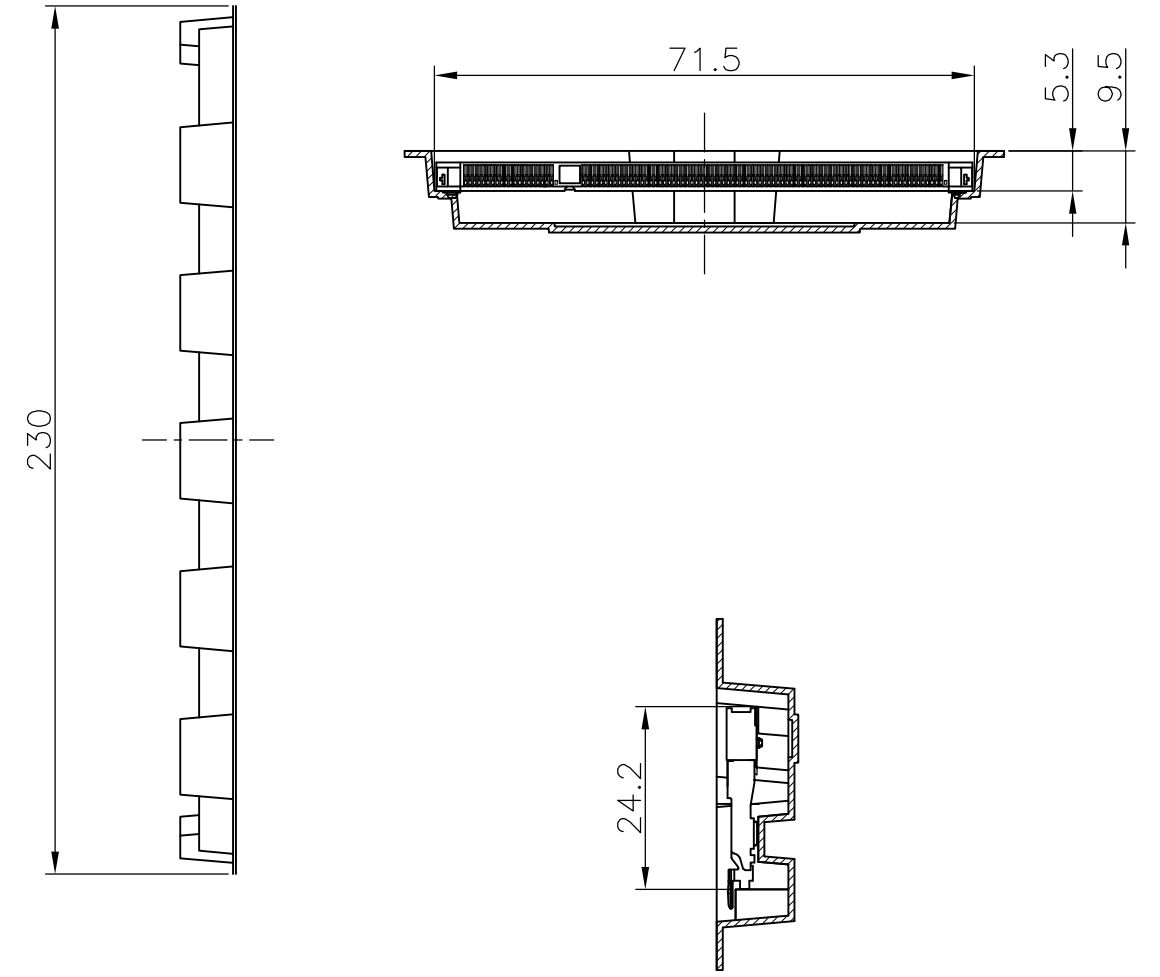
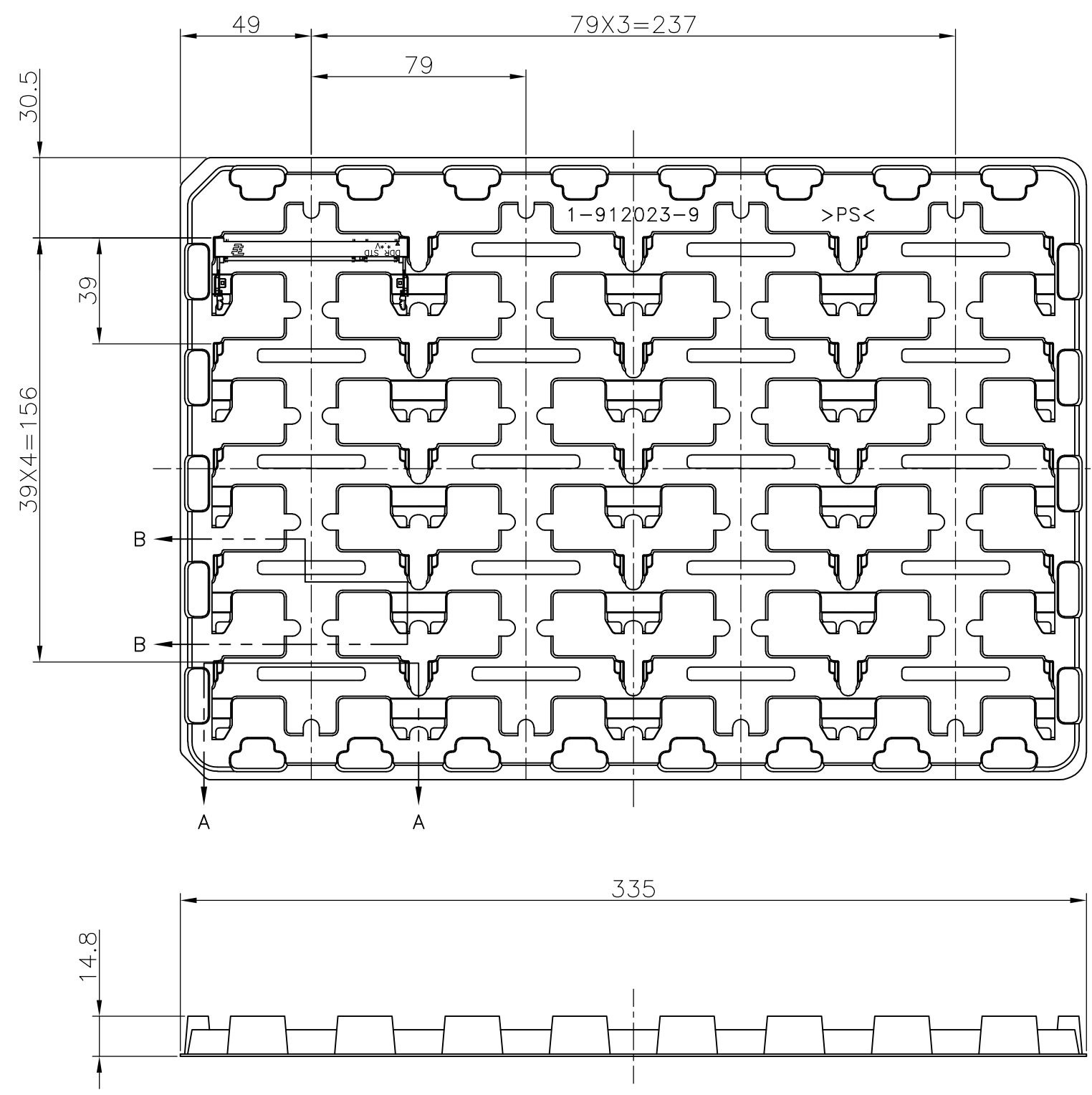
RECOMMENDED MATING P.C.B CONFIGURATION

31.75	1.8V	17.55	2.4	2.7
25.4	2.5V	18.45	1.5	1.8
H	POWER SUPPLY	D5	D4	D3

THIS DRAWING IS A CONTROLLED DOCUMENT.		DWN	Tyco Electronics AMP K.K. Kawasaki, Japan		
DIMENSIONS: MM		CHK	NAME		
TOLERANCES UNLESS OTHERWISE SPECIFIED:		APVD	DDR1 & DDR2 SODIMM SOCKET 0.6mm PITCH 200POS LOW PROFILE STANDARD TYPE (LATCH DIRECT SOLDERING TYPE)		
0 PLC ±		PRODUCT SPEC	SIZE	CAGE CODE	DRAWING NO
1 PLC ±		APPLICATION SPEC	A3	00779	C-1746540
2 PLC ±		WEIGHT	RESTRICTED TO		
3 PLC ±		CUSTOMER DRAWING	SCALE 2:1 SHEET 3 OF 4 REV D1		
4 PLC ±					
ANGLES ±					
FINISH					

THIS DRAWING IS UNPUBLISHED. RELEASED FOR PUBLICATION OCT, 2001.  
 © COPYRIGHT 2001 BY TYCO ELECTRONICS CORPORATION. ALL RIGHTS RESERVED.

LOC	DIST	REVISIONS				
P	LTR	DESCRIPTION	DATE	DWN	APVD	
J		SEE SHEET 1	-	-	-	



(APPLIED TO SHEET 4)  
 1. THE DIRECTION OF EACH CONNECTOR ON A TRAY IS REFERRED TO THIS DRAWING.  
 2. GENERAL TOLERANCE : ±0.5

AVAILABLE	20EA/TRAY	1746540-4
NOT AVAILABLE		-
TOOLING STATUS	QTY	P/N

THIS DRAWING IS A CONTROLLED DOCUMENT.		DWN	Tyco Electronics AMP K.K. Kawasaki, Japan		
DIMENSIONS: MM		CHK			
TOLERANCES UNLESS OTHERWISE SPECIFIED:		APVD	NAME		
0 PLC	±	PRODUCT SPEC	DDR1 & DDR2 SODIMM SOCKET 0.6mm PITCH		
1 PLC	±	APPLICATION SPEC	200POS LOW PROFILE STANDARD TYPE		
2 PLC	±	WEIGHT	(LATCH DIRECT SOLDERING TYPE)		
3 PLC	±	CUSTOMER DRAWING	SIZE	CAGE CODE	DRAWING NO
4 PLC	±		A3	00779	C-1746540
ANGLES	±		RESTRICTED TO		
FINISH			-		
		SCALE	SHEET		REV
		1:2	4 OF 4		D1