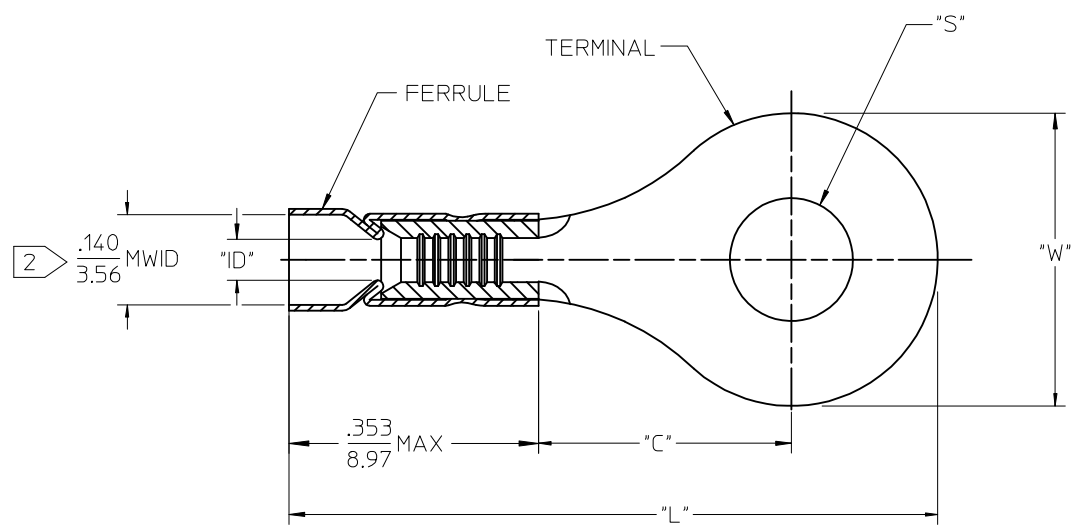


MATERIAL NUMBER	ENGINEERING NUMBER	STUD SIZE	"S" ±.005/±0.13	STOCK THICKNESS REF	"W" ±.010/0.25	"C" MIN	"L" MAX	"ID" MIN
190720019	AA-422-10	10	.198/3.02	.028/0.71	.467/11.86	.386/9.81	1.008/25.60	.062/1.57
190720021	AA-422-14	14	.265/6.73					
190720023	AA-422-56	56	.328/8.33					
190720032	AA-432-04	04	.119/3.02		.254/6.45	.240/6.10	.755/19.18	
190720034	AA-432-06	06	.146/3.71					
190720036	AA-432-08	08	.173/4.39					



NOTES:  
 1. MATERIAL: TERMINAL: COPPER  
 FUNNEL FERRULE: BRASS  
 PLATING: ELECTRO TIN.

2. MWID = MAXIMUM WIRE INSULATION.

SALES DRAWING

WAS A PART OF AA-CD-401-01 EC NO: ETC2005-0035 DRWN: BENDERLE 2004/08/24 CHKD: R DEROSS 2004/08/24 APPR: R DEROSS 2004/08/24	QUALITY SYMBOLS	GENERAL TOLERANCES (UNLESS SPECIFIED)	SCALE NONE	DESIGN UNITS INCH	THIRD ANGLE PROJECTION	REVISE ON CAD ONLY
	DESCRIPTION ▽ = 0 ∇ = 0	DIMENSION STYLE IN/MM	4 PLACES ± --- ± --- 3 PLACES ± --- ± --- 2 PLACES ± --- ± --- 1 PLACE ± --- ± ---	DRAWN BY BENDERLE DATE 2004/08/18	RING TONGUE TERMINAL VIBRAKRIMP 22-18 AWG	
		ANGULAR ±1/2°	DRAFT WHERE APPLICABLE MUST REMAIN WITHIN DIMENSIONS	CHECKED BY R DEROSS DATE 2004/08/18	MOLEX INCORPORATED	
		APPROVED BY R DEROSS DATE 2004/08/18	MATERIAL NO. SEE CHART DOCUMENT NO. SD-19072-002 SHEET NO. 1 OF 1	THIS DRAWING CONTAINS INFORMATION THAT IS PROPRIETARY TO MOLEX INCORPORATED AND SHOULD NOT BE USED WITHOUT WRITTEN PERMISSION		