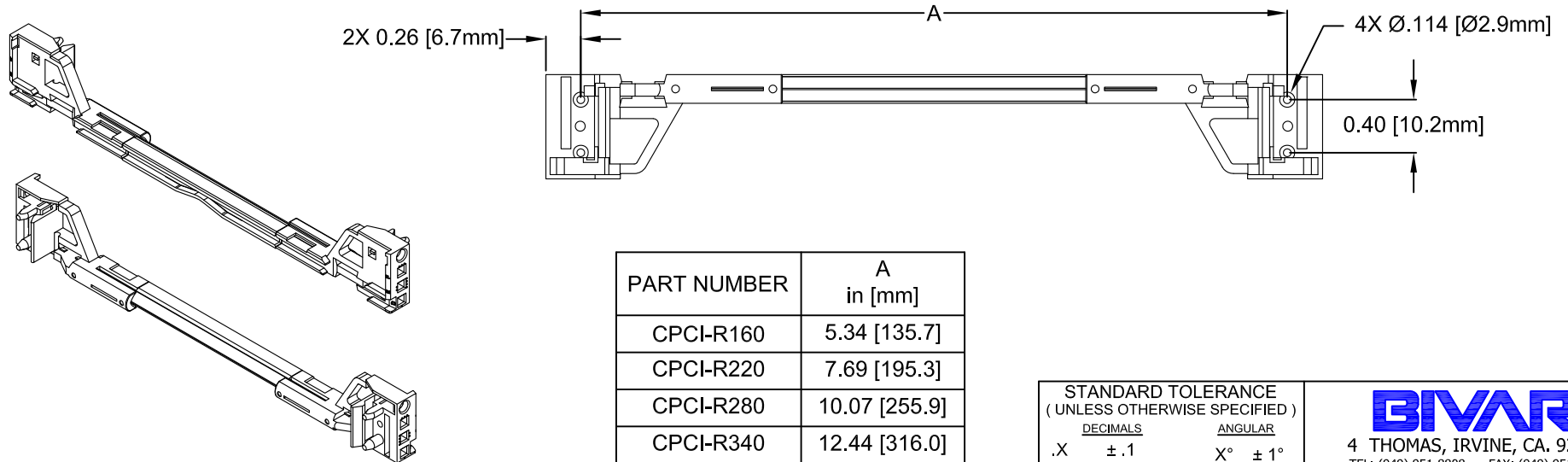
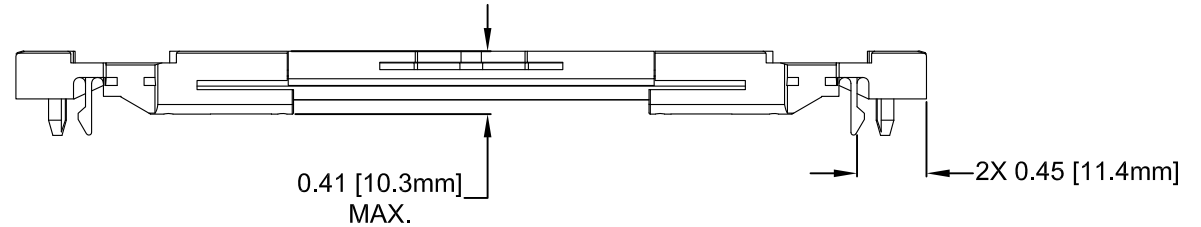
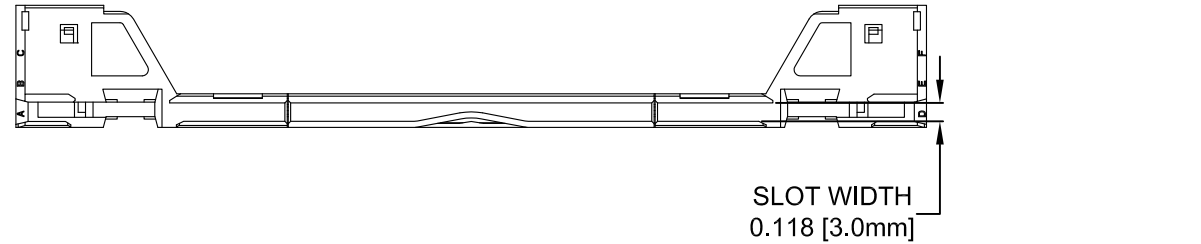
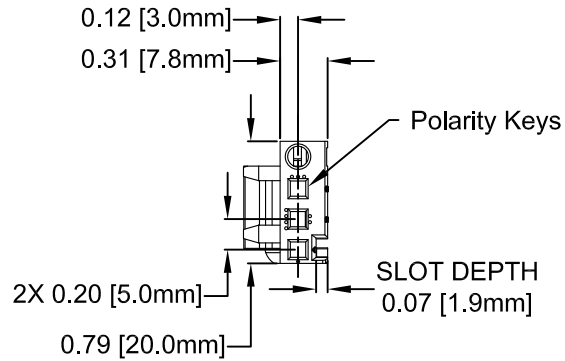

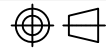


REV.	DESCRIPTION	DATE	APPROVED
B	Engineering Release.	11/20/14	J. C.



STANDARD TOLERANCE (UNLESS OTHERWISE SPECIFIED)		 BIVAR [®] 4 THOMAS, IRVINE, CA. 92618 TEL: (949) 951-8808 FAX: (949) 951-3974	
DECIMALS	ANGULAR		
.X ±.1	X° ± 1°		TITLE: CPCI PLASTIC RETENTION GUIDE
.XX ±.01			PART NO: CPCI-RXXX
.XXX ±.005			REVISION: B
DESIGNED: Alex Wright	DATE: 07/07/14	CAGE CODE : 32559	SHEET # 1 OF 1
CHECKED: Brian Oliver	DATE: 07/07/14	CAD GENERATED DOCUMENT, DO NOT MEASURE DRAWING.	

2. MATERIAL: POLYCARBONATE, GLASS FILLED 20% & ALUMINUM BODY
1. GENERAL SPECIFICATIONS: BIVAR MOLDED COMPONENT SPECIFICATION BV00-E101.