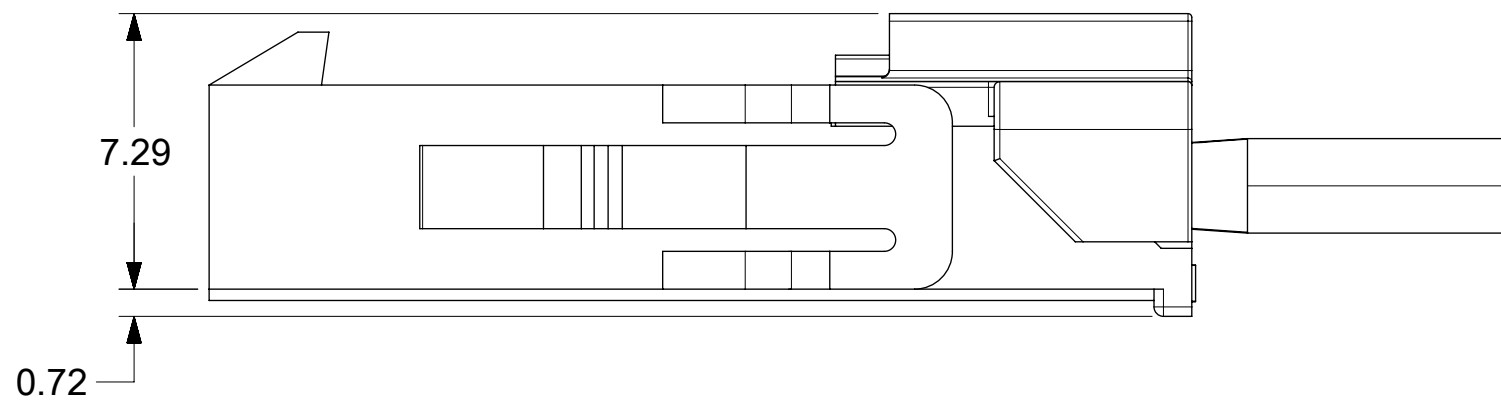
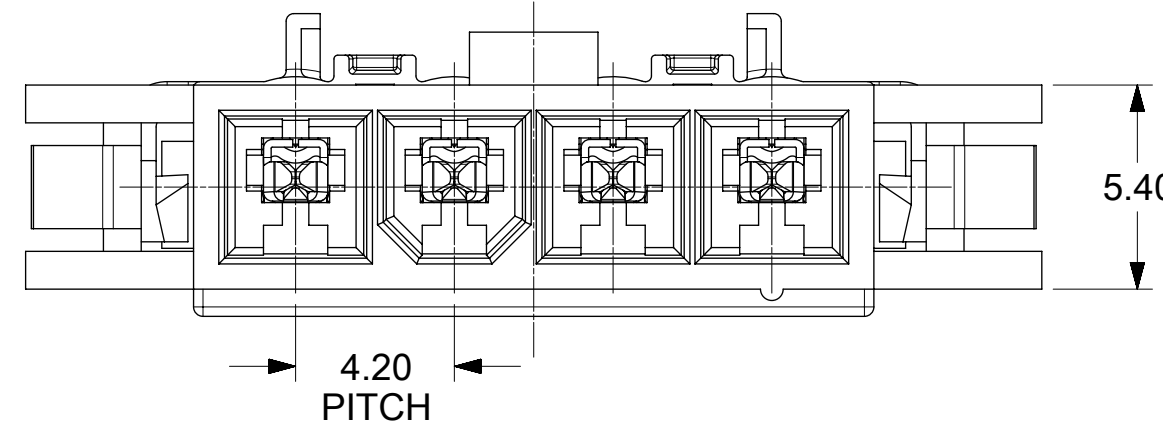
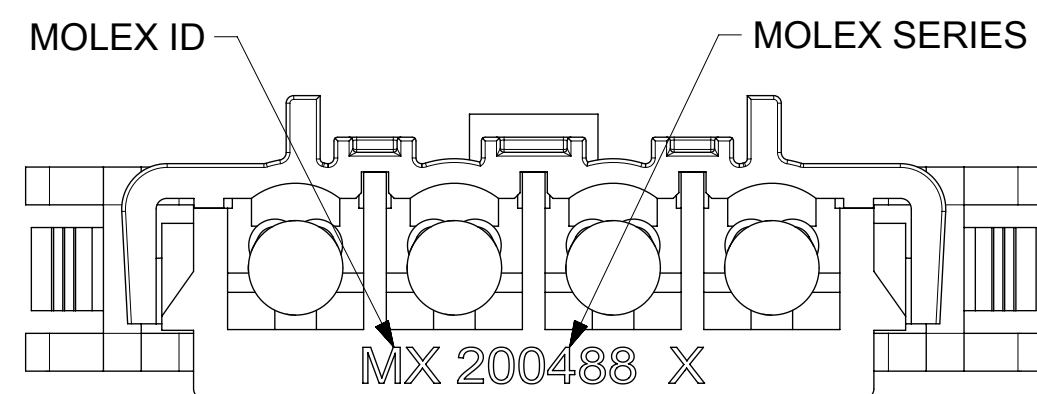
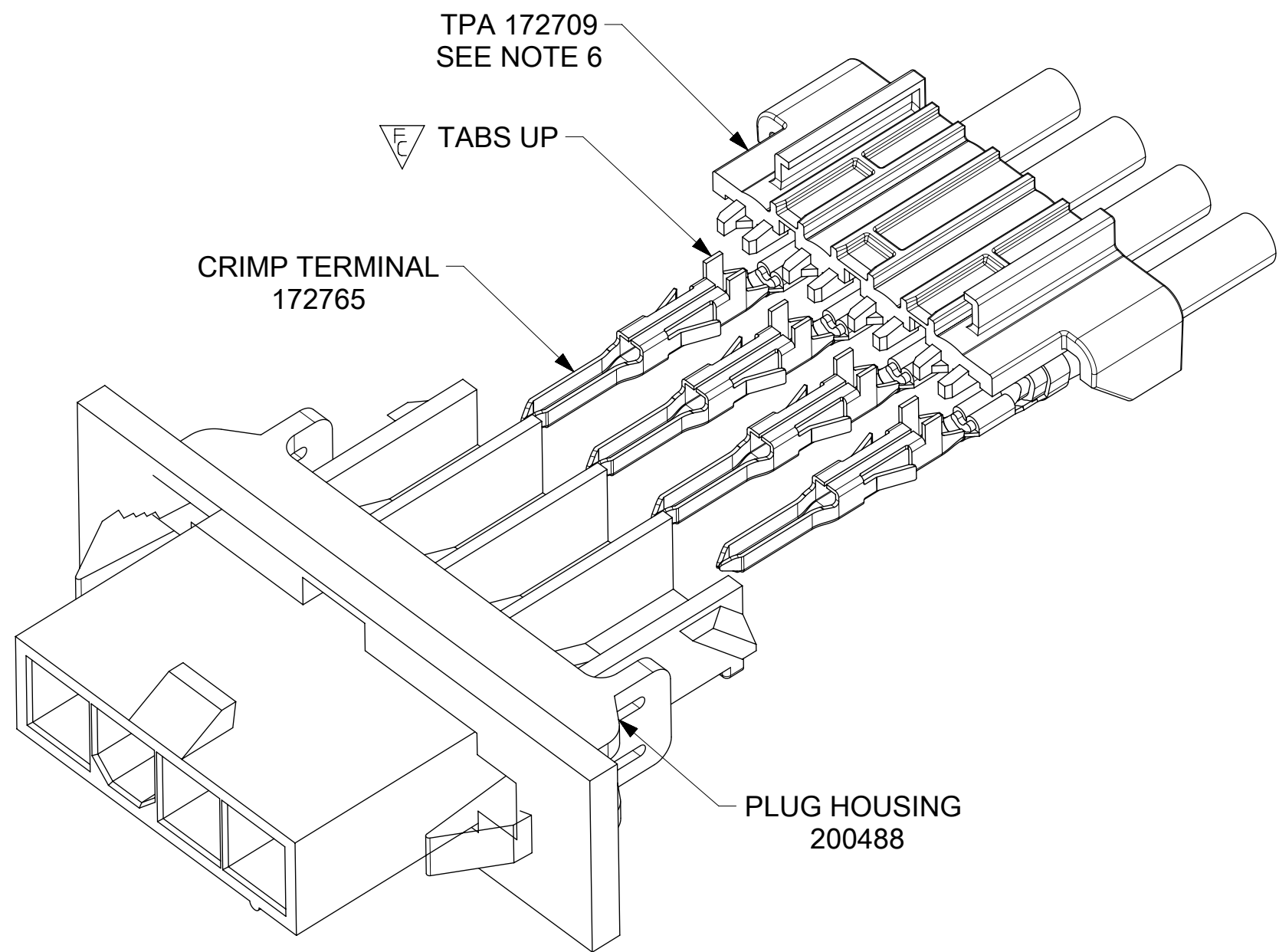
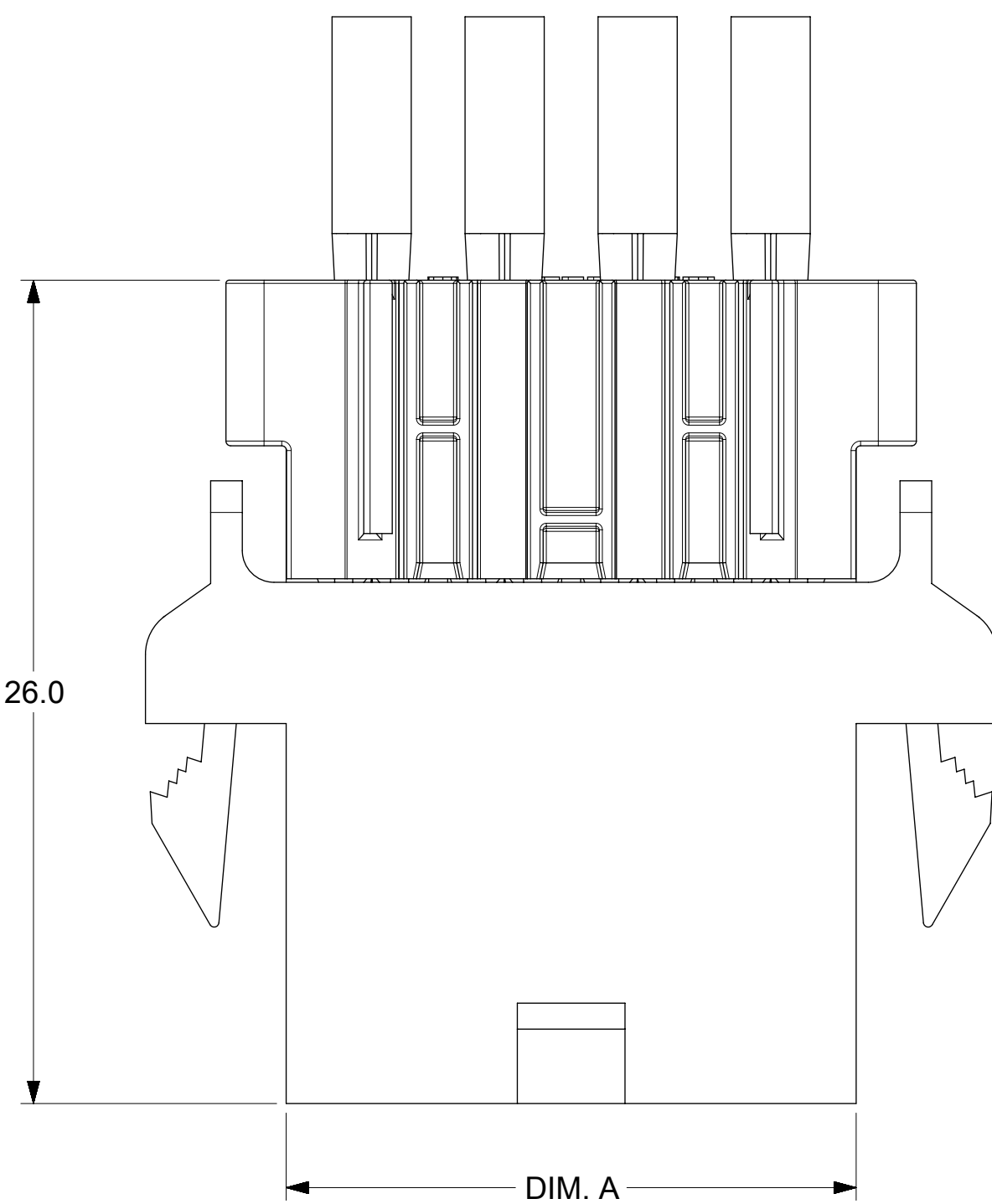


PART NUMBER	CKTS	DIM. A	DIM. B	DIM. C	MATERIAL
2004881002	2	9.6	10.0	15.0	A
2004881102					B
2004881003	3	13.8	14.2	19.2	A
2004881103					B
2004881004	4	18.0	18.4	23.4	A
2004881104					B
2004881005	5	22.2	22.6	27.6	A
2004881105					B
2004881006	6	26.4	26.8	31.8	A
2004881106					B

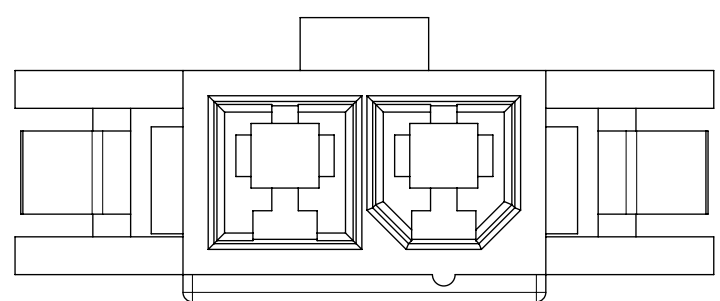


- NOTES:
- MATERIAL:
'A' = NYLON V-0, LOW HALOGEN, COLOR: BLACK
'B' = NYLON V-2, GLOW WIRE CAPABLE, COLOR: BLACK
 - FINISH: NONE
 - PRODUCT SPECIFICATION: PS-172718-0000
APPLICATION SPECIFICATION: AS-172718-0000
 - PACKAGING SPECIFICATION: 2004881000-PK
 - THIS HOUSING TO BE USED WITH MALE TERMINAL SERIES 172765 AND TPA SERIES 172709.
 - THIS PRODUCT MUST BE USED WITH THE TPA INSTALLED.
 - THIS PART MATES WITH SERIES 5557 & 200453.
 - THIS PART CONFORMS TO CLASS 'B' REQUIREMENTS OF COSMETIC SPECIFICATION PS-45499-002.
 - FOR BLACK 'B' MATERIAL USE CLASS C GATE BLIMISH SPEC.
 - PANEL CUTOUT THICKNESS SHOULD BE 2.0MM MAXIMUM

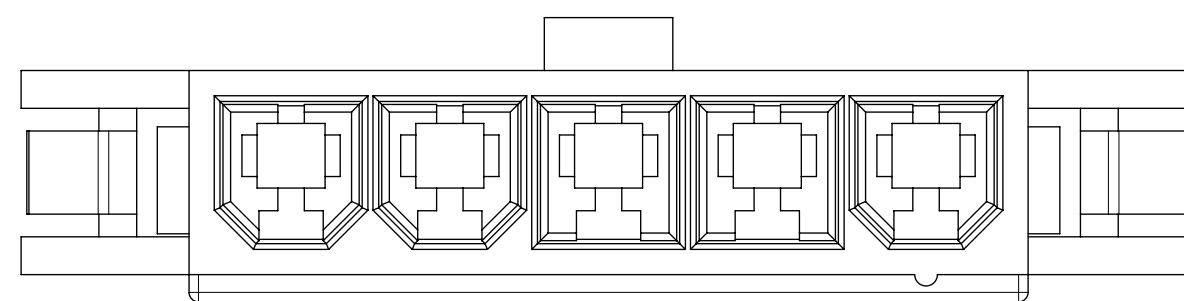
SYMBOLS		THIS DRAWING CONTAINS INFORMATION THAT IS PROPRIETARY TO MOLEX ELECTRONIC TECHNOLOGIES, LLC AND SHOULD NOT BE USED WITHOUT WRITTEN PERMISSION		CURRENT REV DESC: INITIAL RELEASE		molex	
▽ = 0	mm	SCALE	5:1	EC NO: 601722		MINIFIT TPA2 SINGLE ROW PLUG HOUSING	
▽ = 2	GENERAL TOLERANCES (UNLESS SPECIFIED)			DRWN: SS06		OLD PANEL MOUNT	
▽ = 0	ANGULAR TOL	±	0.5°	2018/07/19		PRODUCT CUSTOMER DRAWING	
▽ = 0	4 PLACES	±		CHK'D: ISHWARG		DOCUMENT NUMBER	
▽ = 0	3 PLACES	±		2018/07/23		2004881000-SD	
▽ = 0	2 PLACES	±	0.13	APPR: ISHWARG		DOC TYPE	
▽ = 0	1 PLACE	±	0.2	INITIAL REVISION:		DOC PART	
▽ = 0	0 PLACES	±		DRWN: ABABU01		REVISION	
▽ = 0	DRAFT WHERE APPLICABLE MUST REMAIN WITHIN DIMENSIONS			2018/01/05		000	
▽ = 0	THIRD ANGLE PROJECTION			2018/07/23		A	
DRAWING		SERIES		MATERIAL NUMBER		CUSTOMER	
C-SIZE		200488		SEE TABLE		GENERAL MARKET	
SHEET NUMBER		1 OF 2					

POLARIZATION DETAIL

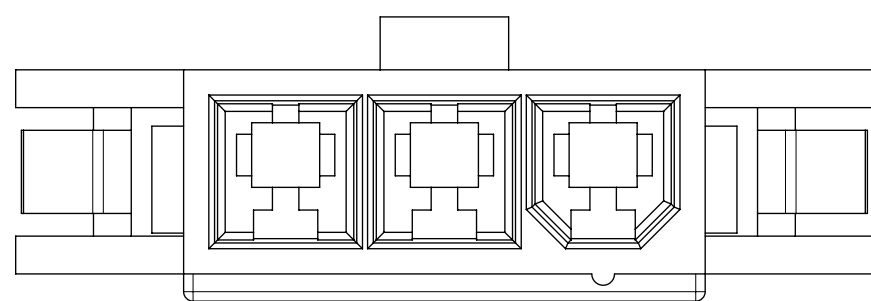
SHOWN WITHOUT TPA OR TERMINAL FOR CLARITY



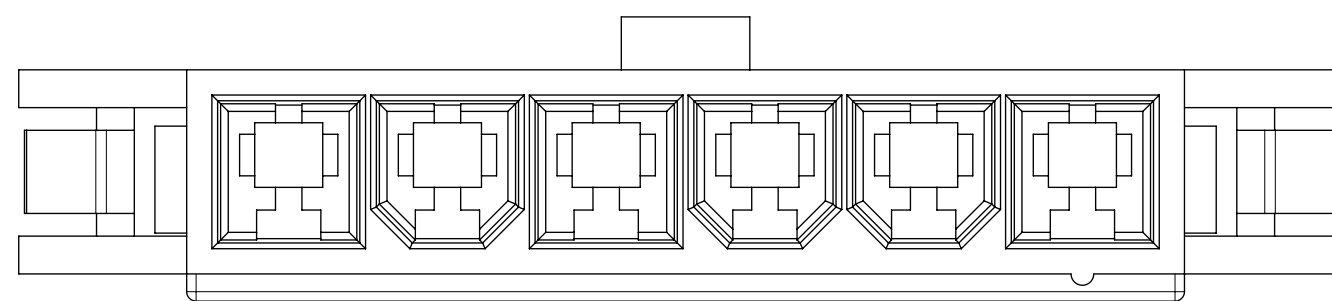
2 CKT



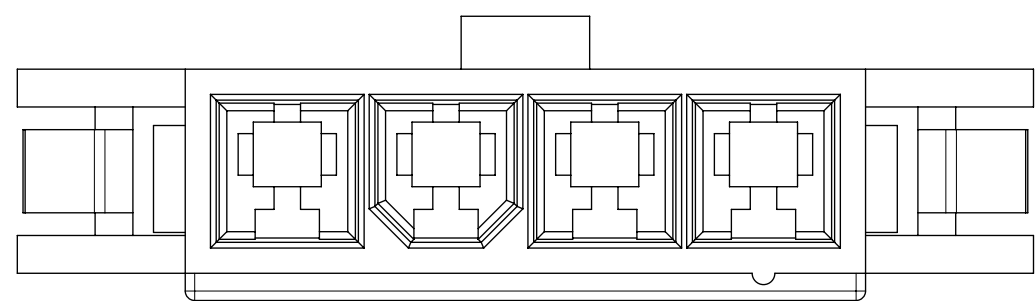
5 CKT



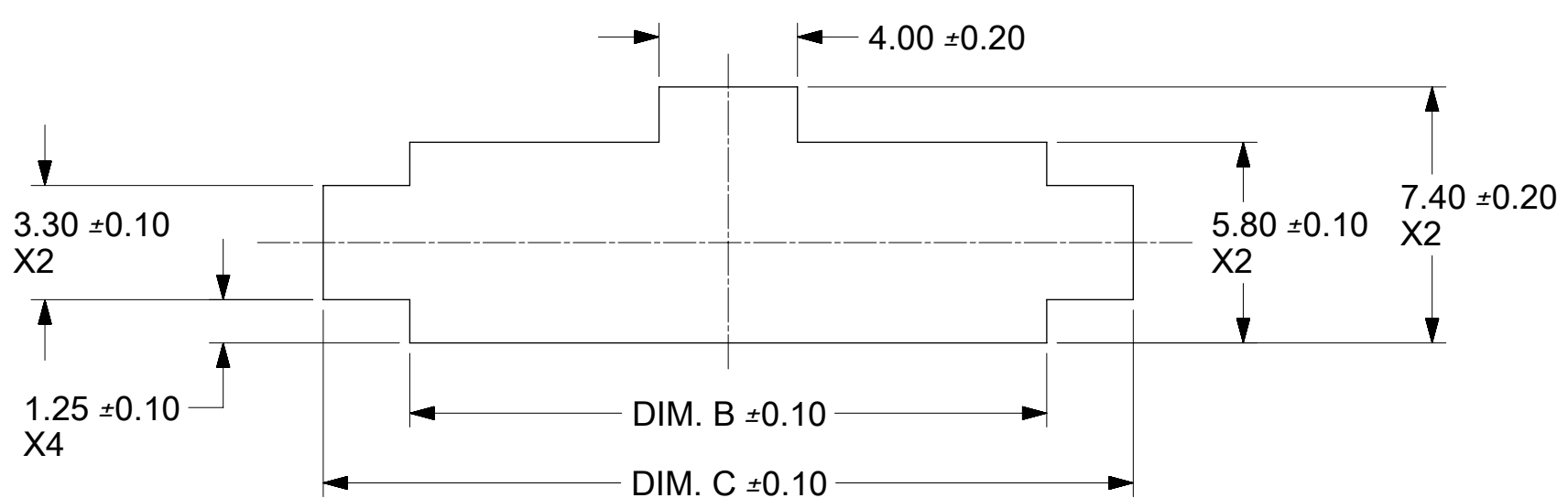
3 CKT



6 CKT



4 CKT



RECOMMENDED PANEL CUTOUT DIMENSIONS
PANEL THICKNESS 0.8 Minimum - 2.0mm Maximum

THIS DRAWING CONTAINS INFORMATION THAT IS PROPRIETARY TO MOLEX ELECTRONIC TECHNOLOGIES, LLC AND SHOULD NOT BE USED WITHOUT WRITTEN PERMISSION									
SYMBOLS		DIMENSION UNITS		SCALE		CURRENT REV DESC: INITIAL RELEASE			
▽ = 0		mm		5:1		EC NO: 601722			
▽/ = 0		GENERAL TOLERANCES (UNLESS SPECIFIED)				DRWN: SS06 2018/07/19			
▽ = 0		ANGULAR TOL ± 0.5°				CHK'D: ISHWARG 2018/07/23			
▽/ = 0		4 PLACES ±		APPR: ISHWARG 2018/07/23		INITIAL REVISION:			
▽ = 0		3 PLACES ±		DRWN: ABABU01 2018/01/05		DOCUMENT NUMBER			
▽ = 0		2 PLACES ± 0.13		APPR: ISHWARG 2018/07/23		2004881000-SD			
▽ = 0		1 PLACE ± 0.2		THIRD ANGLE PROJECTION		DRAWING		SERIES	
☒ = 0		0 PLACES ±		DRAFT WHERE APPLICABLE MUST REMAIN WITHIN DIMENSIONS		C-SIZE		200488	
■ = 0		DOC TYPE		DOC PART		REVISION		SHEET NUMBER	
▽ = 0		PSD		000		A		2 OF 2	
MATERIAL NUMBER		CUSTOMER		SEE TABLE		GENERAL MARKET			

molex

MINIFIT TPA2 SINGLE ROW PLUG HOUSING
OLD PANEL MOUNT

PRODUCT CUSTOMER DRAWING