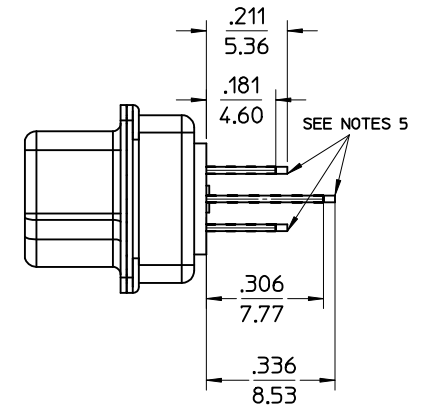
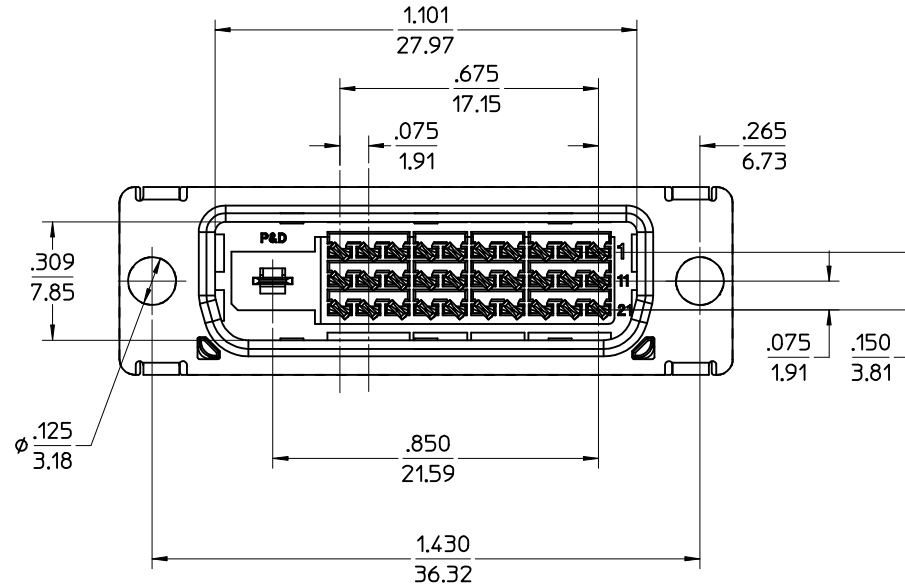
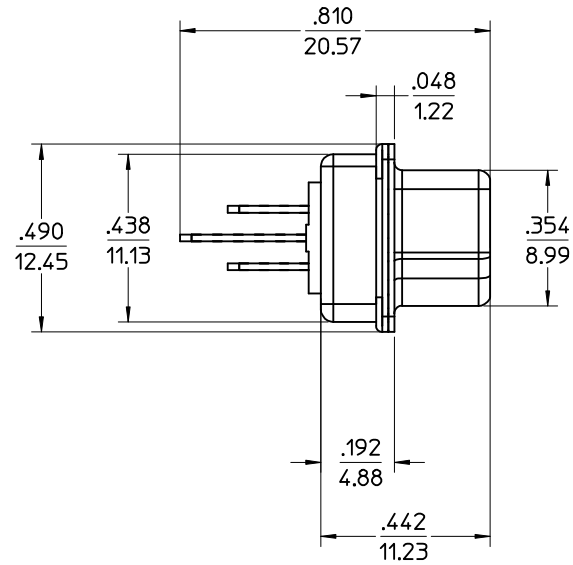
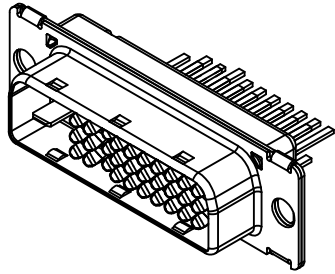


P&D-D STANDARD

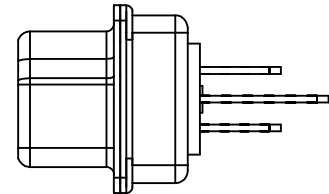
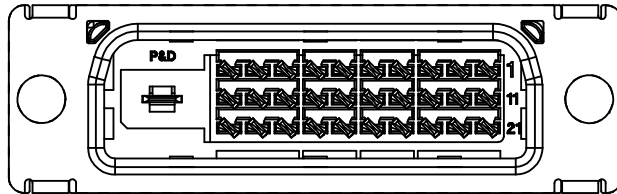
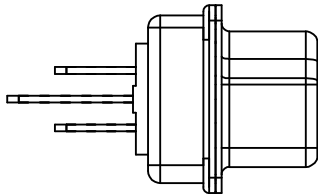
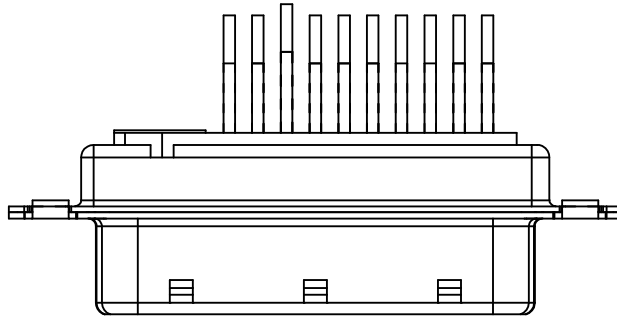


REVISED EC NO: SH2009-0443 DR: WINEZHAO CH: KD APPR: HWANG 2008/12/24 2008/12/24 2009/02/20	QUALITY SYMBOLS ▽=0 ◻=0	GENERAL TOLERANCES (UNLESS SPECIFIED)		DIMENSION STYLE IN/MM		SCALE 3:1	DESIGN UNITS INCH	THIRD ANGLE PROJECTION	
		4 PLACES ± --- ± ---	3 PLACES ± --- ± ---	DRAWN BY SASHIN	DATE 01/06/26	TITLE P&D ASSEMBLY PLUG CONNECTOR			
		2 PLACES ± 0.25 ± .01	1 PLACE ± 0.25 ± .01	CHECKED BY VICTOR	DATE 01/06/27	MOLEX INCORPORATED			
		ANGULAR ± 3 °		APPROVED BY MLAI	DATE 01/06/27	MATERIAL NO. SEE CHART	DOCUMENT NO. SD-67485-001	SHEET NO. 1 OF 6	
DRAFT WHERE APPLICABLE MUST REMAIN WITHIN DIMENSIONS		SIZE A3		THIS DRAWING CONTAINS INFORMATION THAT IS PROPRIETARY TO MOLEX INCORPORATED AND SHOULD NOT BE USED WITHOUT WRITTEN PERMISSION					

10 9 8 7 6 5 4 3 2 1



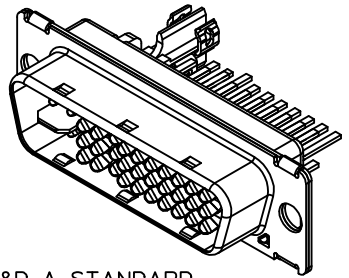
P&D-D REVERSED



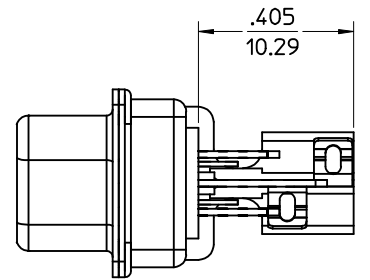
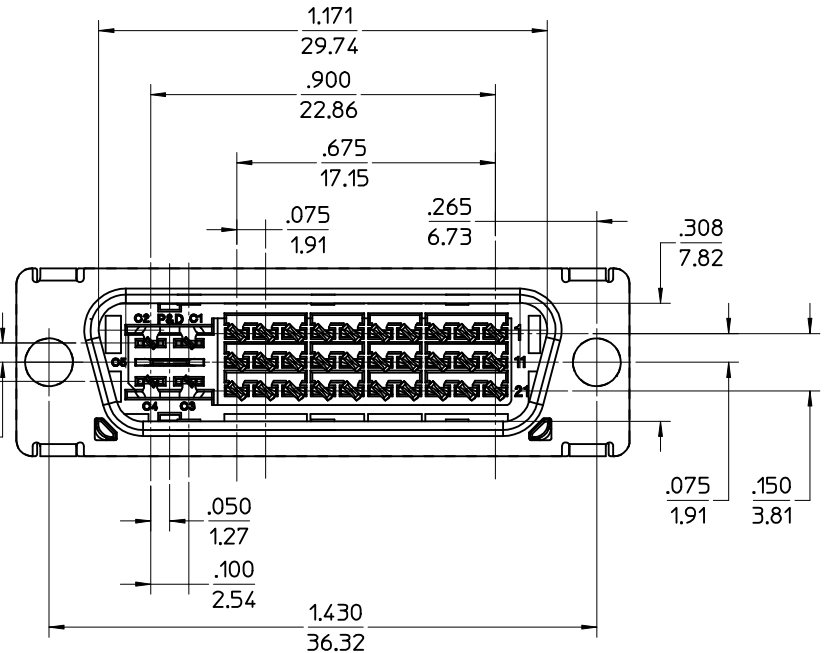
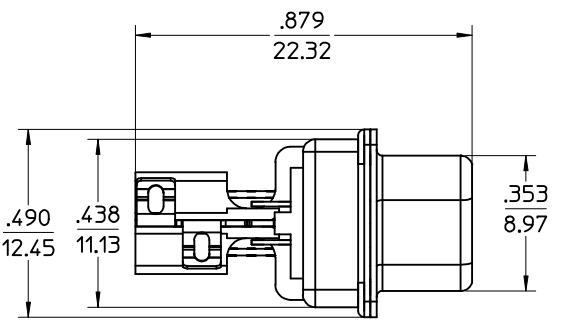
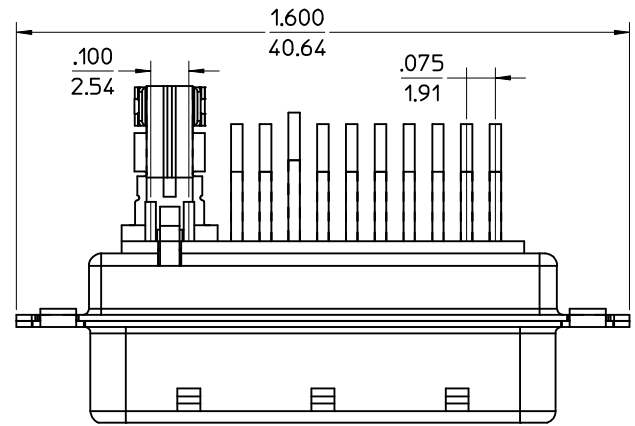
REVISED EC NO: SH2009-0443 DRW:NEZHAO CHKD: APPR:HWANG	2008/12/24 2008/12/24 2009/02/20	DESCRIPTION REV	QUALITY SYMBOLS	GENERAL TOLERANCES (UNLESS SPECIFIED)	DIMENSION STYLE	SCALE	DESIGN UNITS	THIRD ANGLE PROJECTION		
			$\nabla = 0$ $\sphericalcap = 0$	mm INCH 4 PLACES ± --- ± --- 3 PLACES ± --- ± --- 2 PLACES ± 0.25 ± .01 1 PLACE ± 0.25 ± .01 ANGULAR ± 3 °	IN/MM	3:1	INCH	DRAWN BY: SASHIN DATE: 01/06/26 CHECKED BY: VICTOR DATE: 01/06/27 APPROVED BY: MLAI DATE: 01/06/27 MATERIAL NO.	TITLE P&D ASSEMBLY PLUG CONNECTOR MOLEX INCORPORATED DOCUMENT NO. SD-67485-001	SHEET NO. 2 OF 6
			DRAFT WHERE APPLICABLE MUST REMAIN WITHIN DIMENSIONS	SEE CHART	THIS DRAWING CONTAINS INFORMATION THAT IS PROPRIETARY TO MOLEX INCORPORATED AND SHOULD NOT BE USED WITHOUT WRITTEN PERMISSION					

9 8 7 6 5 4 3 2 1

10 9 8 7 6 5 4 3 2 1



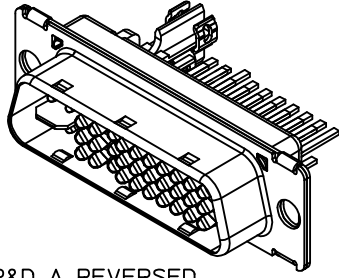
P&D-A STANDARD



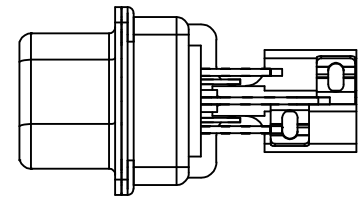
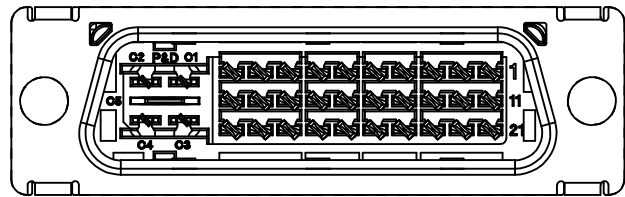
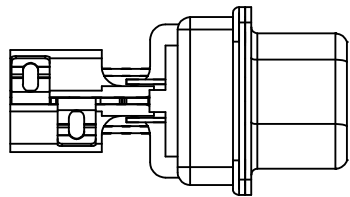
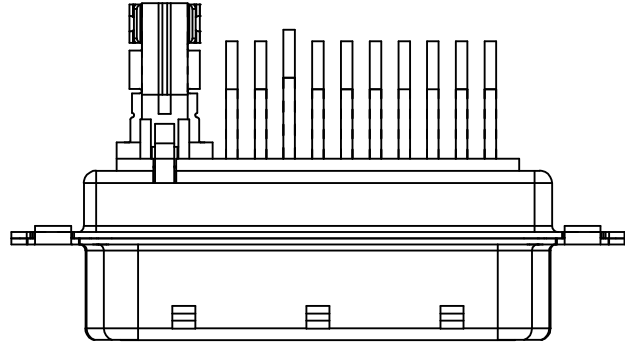
REVISED EC NO: SH2009-0443 DR: WINEZHAO CHKD: APPR: HAWANG 2008/12/24 2008/12/24 2009/02/20	QUALITY SYMBOLS ▽=0 C=0	GENERAL TOLERANCES (UNLESS SPECIFIED) mm INCH 4 PLACES ± --- ± --- 3 PLACES ± --- ± --- 2 PLACES ± 0.25 ± .01 1 PLACE ± 0.25 ± .01 ANGULAR ± 3 °	DIMENSION STYLE IN/MM	SCALE 3:1	DESIGN UNITS INCH	THIRD ANGLE PROJECTION	
	DRAWN BY SASHIN	DATE 01/06/26	TITLE P&D ASSEMBLY PLUG CONNECTOR				
	CHECKED BY VICTOR	DATE 01/06/27	MOLEX INCORPORATED				
	APPROVED BY MLAI	DATE 01/06/27	MATERIAL NO. SEE CHART	DOCUMENT NO. SD-67485-001	SHEET NO. 3 OF 6		
DRAFT WHERE APPLICABLE MUST REMAIN WITHIN DIMENSIONS		THIS DRAWING CONTAINS INFORMATION THAT IS PROPRIETARY TO MOLEX INCORPORATED AND SHOULD NOT BE USED WITHOUT WRITTEN PERMISSION					

9 8 7 6 5 4 3 2 1

10 9 8 7 6 5 4 3 2 1



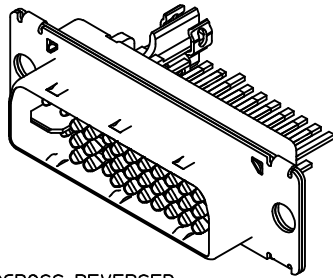
P&D-A REVERSED



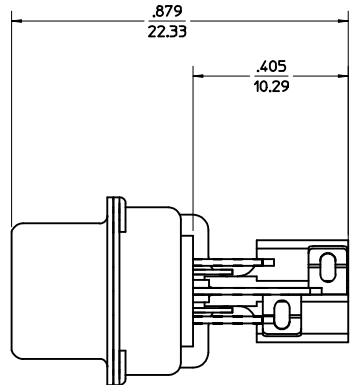
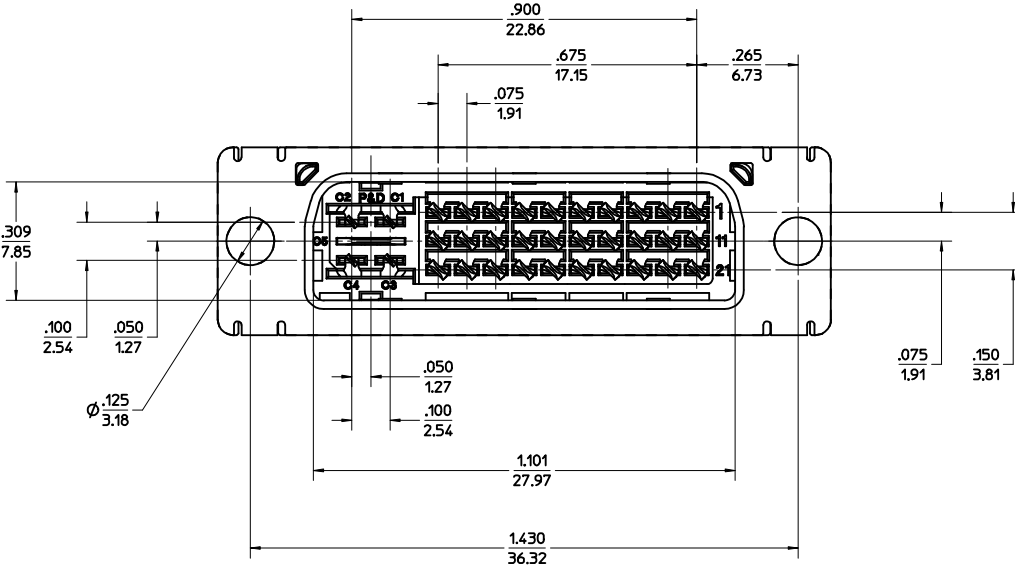
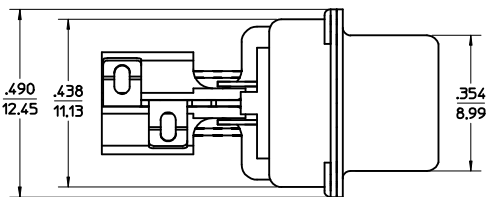
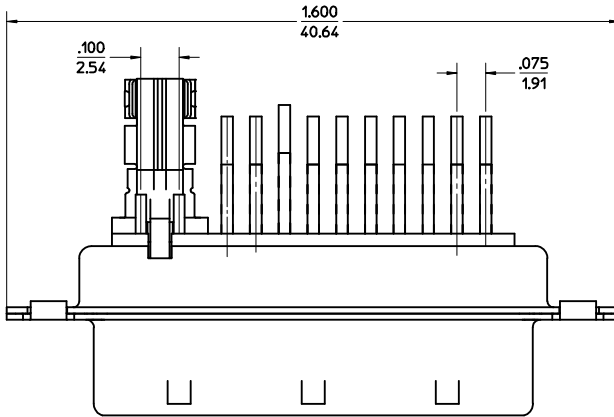
REVISED EC NO: SH2009-0443 DRW: WZHAO CHKD: APPR: HWANG	2008/12/24 2008/12/24 2009/02/20	DESCRIPTION REV	QUALITY SYMBOLS	GENERAL TOLERANCES (UNLESS SPECIFIED) 4 PLACES ± --- ± --- 3 PLACES ± --- ± --- 2 PLACES ± 0.25 ± .01 1 PLACE ± 0.25 ± .01 ANGULAR ± 3 ° DRAFT WHERE APPLICABLE MUST REMAIN WITHIN DIMENSIONS	DIMENSION STYLE	SCALE	DESIGN UNITS	THIRD ANGLE PROJECTION			
			▽=0 ◻=0		IN/MM	3:1	INCH	DRAWN BY: SASHIN CHECKED BY: VICTOR APPROVED BY: MLAI	DATE	TITLE	P&D ASSEMBLY PLUG CONNECTOR MOLEX INCORPORATED SD-67485-001
					mm			DATE			
					INCH			DATE			
				DATE							
					SEE CHART						
					SIZE A3	THIS DRAWING CONTAINS INFORMATION THAT IS PROPRIETARY TO MOLEX INCORPORATED AND SHOULD NOT BE USED WITHOUT WRITTEN PERMISSION					

9 8 7 6 5 4 3 2 1

10 9 8 7 6 5 4 3 2 1



MICROCROSS REVERSED



REVISED EC NO: SH2009-0443 DRW: NEZHAO CHKD: APPR: HWANG	2008/12/24 2008/12/24 2009/02/20	DESCRIPTION REV	QUALITY SYMBOLS ▽=0 ▽=0	GENERAL TOLERANCES (UNLESS SPECIFIED) mm INCH 4 PLACES ± --- ± --- 3 PLACES ± --- ± --- 2 PLACES ± 0.25 ± .01 1 PLACE ± 0.25 ± .01 ANGULAR ± 3°	DIMENSION STYLE IN/MM	SCALE 3:1	DESIGN UNITS INCH	THIRD ANGLE PROJECTION
			DRAWN BY SASHIN	DATE 01/06/26	TITLE P&D ASSEMBLY PLUG CONNECTOR			
			CHECKED BY VICTOR	DATE 01/06/27	MOLEX INCORPORATED			
			APPROVED BY MLA1	DATE 01/06/27	MATERIAL NO. SEE CHART	DOCUMENT NO. SD-67485-001	SHEET NO. 5 OF 6	

9 8 7 6 5 4 3 2 1

PART NUMBER	DESCRIPTION	MATERIAL OF HOUSING	Q'TY OF 0.075 CONTACT	
67485-0001	P&D-D STANDARD 30U* AU	POLYSTER (PBT)	30	
67485-0002	P&D-D REVERSED 30U* AU			
67485-0004	P&D-A REVERSED 30U* AU			
67485-0005	P&D-D STANDARD 30U* AU	POLYSTER (PCT)		
67485-0006	P&D-D REVERSED 30U* AU			
67485-0007	P&D-A STANDARD 30U* AU			
67485-0008	P&D-A REVERSED 30U* AU			
67485-0009	P&D-D STANDARD AU FLASH	POLYSTER (PBT)		30
67485-0010	P&D-D REVERSED AU FLASH			
67485-0012	P&D-A REVERSED AU FLASH	POLYSTER (PCT)		
67485-0013	P&D-D STANDARD AU FLASH			
67485-0014	P&D-D REVERSED AU FLASH			
67485-0015	P&D-A STANDARD AU FLASH			
67485-0016	P&D-A REVERSED AU FLASH			
67485-0017	P&D-A STANDARD 30U* AU	POLYSTER (PBT)	20	
67485-0018	P&D-A STANDARD 30U* AU	POLYSTER (PCT)	LOAD CKT:	
67485-0019	P&D-A STANDARD AU FLASH	POLYSTER (PBT)	1~10	
67485-0020	P&D-A STANDARD AU FLASH	POLYSTER (PCT)	21~30	
67485-0021	MICROCROSS REVER. 30U* AU	POLYSTER (PBT)	30	
67485-0022	MICROCROSS REVER. 30U* AU	POLYSTER (PCT)		
67485-0023	MICROCROSS REVER. AU FLASH	POLYSTER (PBT)		
67485-0024	MICROCROSS REVER. AU FLASH	POLYSTER (PCT)		
67485-0025	P&D-A STANDARD AU FLASH	POLYSTER (PBT)	29	
67485-0026	P&D-A STANDARD AU FLASH	POLYSTER (PCT)	VOID: #PIN 13	

REVISED IEC NO: SH2009-0443 DR: WINEZHAO CHKD: APPR: HWANG	2008/12/24 2008/12/24 2009/02/20	QUALITY SYMBOLS 	GENERAL TOLERANCES (UNLESS SPECIFIED)		DIMENSION STYLE IN/MM	SCALE 3:1	DESIGN UNITS INCH	THIRD ANGLE PROJECTION		
			4 PLACES ± --- ± --- 3 PLACES ± --- ± --- 2 PLACES ± 0.25 ± .01 1 PLACE ± 0.25 ± .01	mm INCH ± --- ± --- ± 0.25 ± .01 ± 0.25 ± .01	DRAWN BY SASHIN	DATE 01/06/26	TITLE P&D ASSEMBLY PLUG CONNECTOR			
			ANGULAR ± 3 °		CHECKED BY VICTOR	DATE 01/06/27	MOLEX MOLEX INCORPORATED			
			DRAFT WHERE APPLICABLE MUST REMAIN WITHIN DIMENSIONS		APPROVED BY MLAI	DATE 01/06/27	MATERIAL NO. SEE CHART	DOCUMENT NO. SD-67485-001	SHEET NO. 6 OF 6	