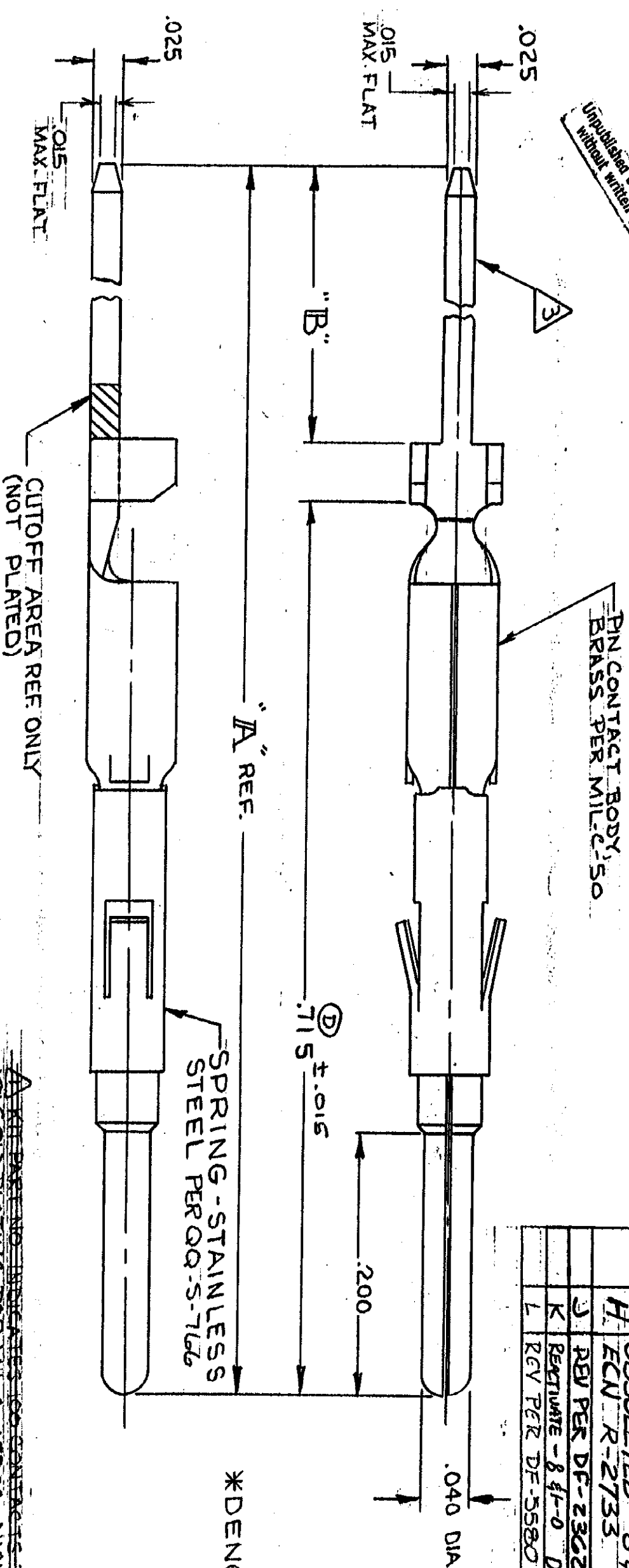


1970 BY AMP INCORPORATED. ALL RIGHTS RESERVED. AMP PRODUCTS COVERED BY PATENTS, TRADEMARKS OR PATENTS PENDING.

Unpublished copy not to be reproduced without written permission of AMP Inc.



PART NO.	"A"	"B"	CONTACT FINISH	NO. OF TERMINATION	CONTACT PART NO.
1-205171-2	1.450	.685	.000030 MIN GOLD / .000050 MIN NI	3 *	1-204329-2
1-205171-1	1.236	.471	.000030 MIN GOLD / .000050 MIN NI	2 *	1-204329-1
1-205171-0	1.022	.257	.000030 MIN GOLD / .000050 MIN NI	1 *	1-204329-0
205171-9	1.450	.685	SELECTIVE .000030 GOLD / .000030 NICKEL	3 *	204329-9
205171-8	1.236	.471	SELECTIVE .000030 GOLD / .000030 NICKEL	2	204329-8
205171-7	1.022	.257	SELECTIVE .000030 GOLD / .000030 NICKEL	1 *	204329-7
205171-6	1.450	.685	TIN NICKEL PLATED	3	
205171-5	1.236	.471	TIN NICKEL PLATED	2	
205171-4	1.022	.257	TIN NICKEL PLATED	1 *	
205171-3	1.450	.655	TIN NICKEL PLATED	3	204329-3
205171-2	1.236	.471	TIN	2	204329-2
205171-1	1.022	.257	TIN	1	204329-1

ZONE	LTR	DESCRIPTION	DATE	APPROVED
F	ADDED	PER ECN E-663	9-28-70	WJ
G	REV PER ECN J-260		2/5/82	MB
H	OBSOLETE - 8 1/2" = -0 PER ECN R-2733		3-2-87	BDY
J	REV PER DF-2362	SW	11-3-80	NSR
K	REQUIRTE - 8 1/2" -0 DF4925		2-19-92	ADNM
L	REV PER DF-5580		9-9-92	DDP

\* DENOTES RELEASED ITEMS.

1. KIT PART NO. 205171-00 CONTACTS PER BAG.  
2. GOLD PLATING PER MIL-C-45204, NICKEL PLATING PER QQ-N-292.  
3. IN PLATING PER MIL-T-10727.

△ AT LEAST TWO SHARP CORNERS WHOSE RADIUS SHALL NOT EXCEED .003.

△ GOLD FLASH OVER .000030 MIN. NICKEL ON ENTIRE CONTACT, WITH .000030 MIN. GOLD ON ELECTRICAL ENGAGEMENT AREA ONLY.

△ OBSOLETE PART NO.

△ CAUTION: USE OF TIN PLATED TERMINALS IN CERTAIN ENVIRONMENTS MAY CAUSE NON-CONFORMANCE TO AMP PRODUCT SPECIFICATION 108-100/5.

UNLESS OTHERWISE SPECIFIED DIMENSIONS ARE IN INCHES

TOLERANCES ON DECIMALS ±.005

ANGLES ±.75

MATERIAL SEE CALLOUT

CONTRACT NO. DR. 10-14-70

DATE 10-19-70

BY 10-20-70

DESIGN W/FPD



AMP INCORPORATED  
HARRISBURG, PENNSYLVANIA

NAME PIN CONTACT, TYPE XI, #20,  
WRAP TYPE, LOOSE PIECE,  
.025 X .025, KIT

SIZE CODE IDENT NO. NUMBER  
B 00779 205171

SCALE 10:1 SHEET 1 OF 1

CUSTOMER DRAWING