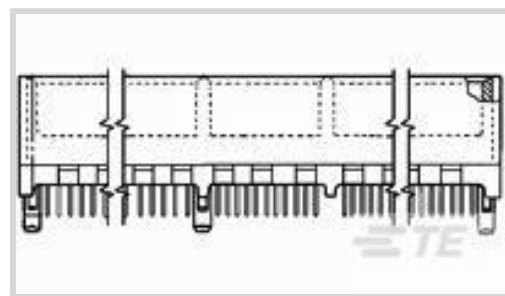




Connectors > PCB Connectors > Card Edge Connectors > PCI & PCI Express Connectors



Connector System: **Board-to-Board**

Number of Positions: **184**

Centerline (Pitch): **1.27 mm [ .05 in ]**

Termination Post & Tail Length: **3.18 mm [ .125 in ]**

Contact Mating Area Plating Material Thickness: **[ 30  $\mu$ in ]**

## Features

### Product Type Features

Connector System	Board-to-Board
Connector & Contact Terminates To	Printed Circuit Board

### Configuration Features

Number of PCB Mount Retention Features	3
Number of Positions	184
PCB Mount Orientation	Vertical
Ejector	Without

### Electrical Characteristics

Operating Voltage	203 VAC
-------------------	---------

### Body Features

Product Weight	26.406 g
Primary Product Color	Natural

### Contact Features

PCB Contact Termination Area Plating Material Thickness	2.537 $\mu$ m
Contact Mating Area Plating Material	Gold
Contact Underplating Material	Nickel
PCB Contact Termination Area Plating Material	Tin
Contact Base Material	Phosphor Bronze
	30 $\mu$ in

Contact Current Rating (Max)	1.1 A
------------------------------	-------

### Termination Features

Termination Method to Printed Circuit Board	Through Hole - Solder
---	-----------------------

Termination Post & Tail Length	3.18 mm[.125 in]
--------------------------------	------------------

### Mechanical Attachment

Connector Mounting Type	Board Mount
-------------------------	-------------

### Housing Features

Housing Material	High Temperature Thermoplastic
------------------	--------------------------------

Centerline (Pitch)	1.27 mm[.05 in]
--------------------	-----------------

### Dimensions

Connector Length	128 mm[5.039 in]
------------------	------------------

PCB Thickness (Accepted)	1.57 mm[.062 in]
--------------------------	------------------

Connector Height	15.5 mm[.613 in]
------------------	------------------

Connector Width	8.88 mm[.35 in]
-----------------	-----------------

### Usage Conditions

Operating Temperature Range	-55 – 85 °C[-67 – 185 °F]
-----------------------------	---------------------------

### Operation/Application

Circuit Application	Signal
---------------------	--------

### Industry Standards

Bus Type	PCI
----------	-----

### Packaging Features

Packaging Quantity	35
--------------------	----

Packaging Method	Box
------------------	-----

### Product Compliance

[For compliance documentation, visit the product page on TE.com>](#)

EU RoHS Directive 2011/65/EU	Compliant
------------------------------	-----------

EU ELV Directive 2000/53/EC	Compliant
-----------------------------	-----------

China RoHS 2 Directive MIIT Order No 32, 2016	No Restricted Materials Above Threshold
---	---

EU REACH Regulation (EC) No. 1907/2006	Current ECHA Candidate List: JUNE 2023 (235) Candidate List Declared Against: JAN 2023 (233)
--	---



Does not contain REACH SVHC

Halogen Content

Not Low Halogen - contains Br or Cl > 900 ppm.

Solder Process Capability

Wave solder capable to 265°C

Product Compliance Disclaimer

This information is provided based on reasonable inquiry of our suppliers and represents our current actual knowledge based on the information they provided. This information is subject to change. The part numbers that TE has identified as EU RoHS compliant have a maximum concentration of 0.1% by weight in homogenous materials for lead, hexavalent chromium, mercury, PBB, PBDE, DBP, BBP, DEHP, DIBP, and 0.01% for cadmium, or qualify for an exemption to these limits as defined in the Annexes of Directive 2011/65/EU (RoHS2). Finished electrical and electronic equipment products will be CE marked as required by Directive 2011/65/EU. Components may not be CE marked. Additionally, the part numbers that TE has identified as EU ELV compliant have a maximum concentration of 0.1% by weight in homogenous materials for lead, hexavalent chromium, and mercury, and 0.01% for cadmium, or qualify for an exemption to these limits as defined in the Annexes of Directive 2000/53/EC (ELV). Regarding the REACH Regulation, the information TE provides on SVHC in articles for this part number is based on the latest European Chemicals Agency (ECHA) 'Guidance on requirements for substances in articles' posted at this URL: <https://echa.europa.eu/guidance-documents/guidance-on-reach>

### Compatible Parts



TE Part # 1761842-1  
CONNECTOR ASSY, 60 DUAL POSITI



TE Part # 5-2337939-4  
PCIE GEN4 CON,SMT,164POS,30u",  
MYLAR,HT

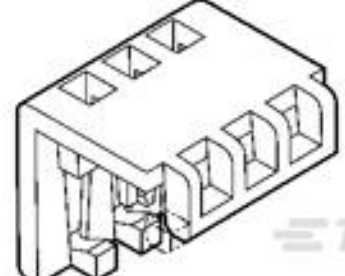


TE Part # 1734774-1  
PCI EXP 3.1L 36 POS WHT G/F

### Customers Also Bought



TE Part #211767-1  
17-9 CPC RECEPT



TE Part #643075-3  
03P MTA100 MOLDED COVER



TE Part #66332-7  
III+ PIN,24-20,15AU/FL,STRIP



TE Part #103653-4  
05 MTE SHRD PIN HSG SR LATCH



TE Part #103653-1  
02 MTE SHRD PIN HSG SR LATCH



TE Part #350654-1  
UMNL GRND PIN 20-14 PTPBR



TE Part #1-320551-4  
TERMINAL,PIDG R IR 18 8



TE Part #164161-4  
M-SRS.PIN BODY 3+



## Documents

### Product Drawings

[CONNECTOR ASSEMBLY, DUAL POSIT](#)

English

---

### CAD Files

[3D PDF](#)

3D

Customer View Model

[ENG\\_CVM\\_CVM\\_5145166-8\\_A.2d\\_dxf.zip](#)

English

Customer View Model

[ENG\\_CVM\\_CVM\\_5145166-8\\_A.3d\\_igs.zip](#)

English

Customer View Model

[ENG\\_CVM\\_CVM\\_5145166-8\\_A.3d\\_stp.zip](#)

English

By downloading the CAD file I accept and agree to the [Terms and Conditions](#) of use.

---

### Product Specifications

[Application Specification](#)

English