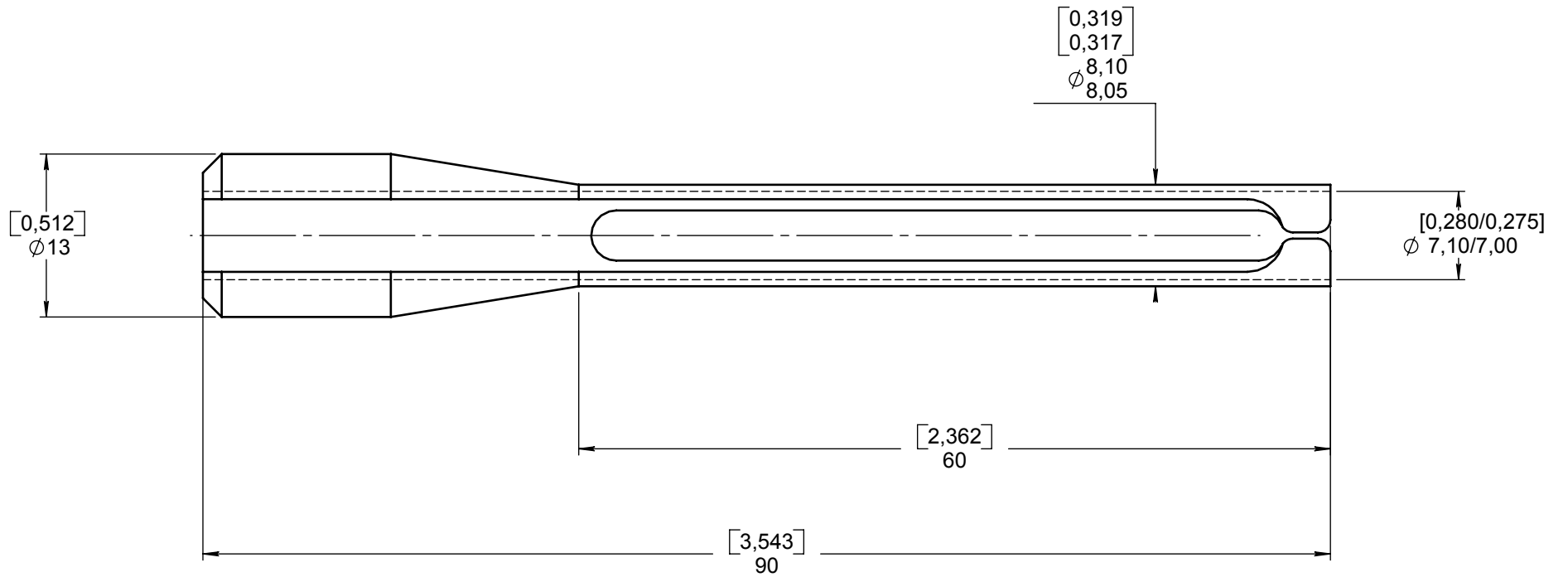


Series  
MPX

EXTRACTION TOOL FOR SIZE 8 CONTACT

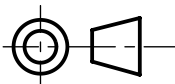
Issue:  
JAN 16 2008

Page  
1/1



MATERIAL: STAINLESS STEEL

DIMENSIONS : mm (inch are given for information only)



4112\_9311 This information is given as an indication. In the continual goal to improve our products, we reserve the right to make any modifications judged necessary.

|   |           |  |          |          |
|---|-----------|--|----------|----------|
| CREATION<br><br>PEN:<br><br>NOM: MACARI<br>DATE: JUNE 11 1990<br>APPR.: |           |  |          |          |
|   | JAN 16 08 | REDRAWN - Ø .321/.318 ---> Ø .319/.317 | VALGRESY | BROCHET  |
|   | Issue     | Revisions                              | Name     | Approved |
|   |           |  |          |          |
|   |           |  |          |          |