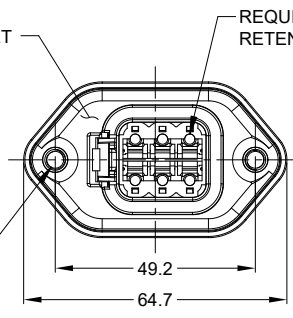
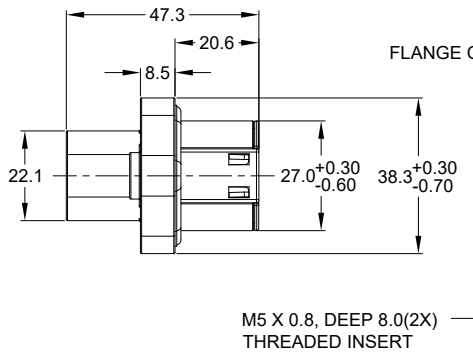
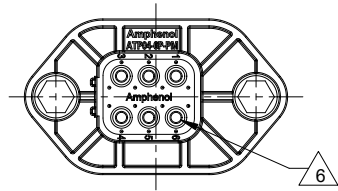
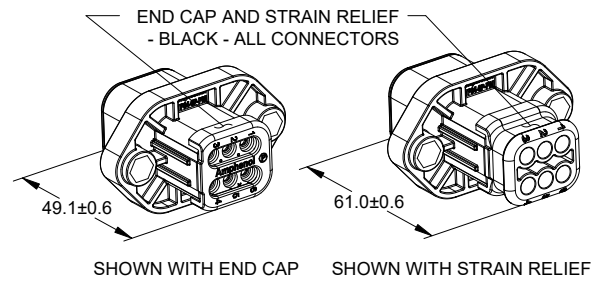
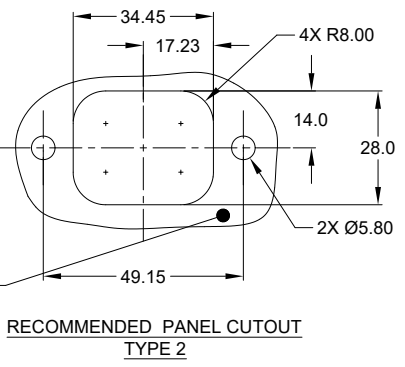
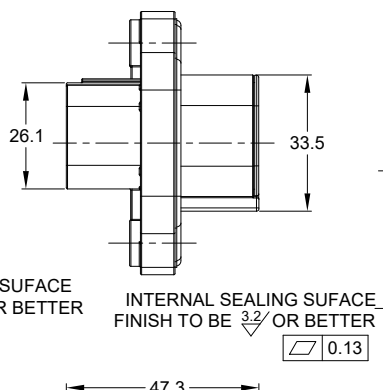
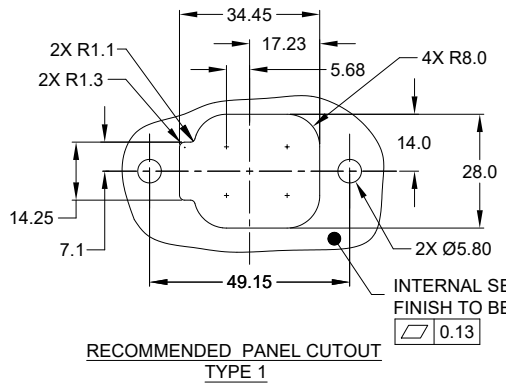


| REVISIONS | | | | | |
|-----------|-----|------------------|---------|--------|-------|
| REV | ECO | DESCRIPTION | DATE | BY | APPR |
| A1 | - | RELEASED DRAWING | 04JAN21 | LOUIE | TOMMY |
| A2 | - | UPDATE DRAWING | 10MAY21 | SULLEN | TOMMY |



| PART NUMBER CHART | | |
|-------------------|--------------------------|---------------------------------|
| PART NUMBER | HOUSING AND INSERT COLOR | STRAIN RELIEF AND END CAP COLOR |
| ATP04-6P-PM0x | GREY | BLACK |
| ATP04-6P-PM0xBK | BLACK | BLACK |

| MODIFICATIONS | | | | |
|-------------------|--------------|---------|---------------|----------------|
| PART NUMBER | SEAL | END CAP | STRAIN RELIEF | WEIGHT (GRAMS) |
| ATP04-6P-PM05XX | STANDARD | NO | NO | 37.2 |
| ATP04-6P-PM06XX | REDUCED DIA. | NO | NO | 37.2 |
| ATP04-6P-PM05ECXX | STANDARD | YES | NO | 39.6 |
| ATP04-6P-PM06ECXX | REDUCED DIA. | YES | NO | 39.6 |
| ATP04-6P-PM05SRXX | STANDARD | NO | YES | 45.8 |
| ATP04-6P-PM06SRXX | REDUCED DIA. | NO | YES | 45.8 |

NOTES: UNLESS OTHERWISE SPECIFIED

- MATERIAL:**
 HOUSING: THERMOPLASTIC; COLOR: SEE PART NUMBER CHART
 INSERT: THERMOPLASTIC; COLOR: SEE PART NUMBER CHART
 END CAP: THERMOPLASTIC; COLOR: BLACK
 STRAIN RELIEF: THERMOPLASTIC; COLOR: BLACK
 SEAL: SILICONE RUBBER; COLOR: RED FOR STANDARD, YELLOW FOR REDUCED DIA.
 FLANGE GASKET: SILICONE RUBBER; COLOR: RED
- MODIFICATIONS:** FLANGE, END CAP (OPT), REDUCED DIAMETER WIRE SEAL (OPT), STRAIN RELIEF (OPT)
- SPECIFICATIONS:**
 - CURRENT RATING: 25 AMPS
 - OPERATING TEMPERATURE: -55°C TO +125°C
 - DIELECTRIC WITHSTANDING VOLTAGE: LESS THAN 2 MILLIAMPS CURRENT LEAKAGE @ 1500 VOLTS AC.
 - INSULATION RESISTANCE: 1000 MEGOHMS MIN @ 25°C.
 - MOISTURE RESISTANCE: IP68 (1M OF WATER FOR A PERIOD OF 24 HOURS, MATED CONDITION)
 - MATING CYCLE DURABILITY: 100 CYCLES
 - RoHS COMPLIANT
- MATING PART:** ATP06-6S* PLUG.
 (* = MODIFICATIONS AND COLORS)

5. ALL DIMENSIONS ARE FOR REFERENCE USE ONLY.

⚠ CONTACT SIZE AND REAR SEAL WIRE RANGE:

STANDARD SEAL:

| CONTACT SIZE | MIN. INSUL O.D. | MAX. INSUL O.D. | TYPICAL WIRE RANGE |
|--------------|-------------------|-------------------|---------------------------------------|
| 12 | 3.40 mm (.134 in) | 4.95 mm (.195 in) | 10 - 14 AWG (5.0-2.0mm ²) |

REDUCED DIAMETER SEAL:

| CONTACT SIZE | MIN. INSUL O.D. | MAX. INSUL O.D. | TYPICAL WIRE RANGE |
|--------------|-------------------|-------------------|---------------------------------------|
| 12 | 2.46 mm (.097 in) | 4.01 mm (.158 in) | 12 - 14 AWG (3.0-2.0mm ²) |

| | | | | |
|---|-------------|--|------|-----------------|
| ATP04-6P-PM0xXX | | DESCRIPTION | | ITEM |
| QUANTITY | PART NUMBER | MATERIALS LIST | | |
| UNLESS OTHERWISE SPECIFIED 1) All dimensions are in metric (mm). 2) Tolerances are as follows: 1 PL DEC ±0.30 2 PL DEC ±0.15 3 PL DEC ±0.08 Fractions ±1/64 Angles ±1° | | SIGNATURES | | DATE |
| DRAWN: SULLEN.ZHANG | | ORION.LI | | 10MAY21 |
| CHECKED: ORION.LI | | TOMMY.XIE | | 11MAY21 |
| ENGINEER: | | CUSTOMER: | | |
| APPROVAL: TOMMY.XIE | | CUSTOMER: | | 12MAY21 |
| MATERIAL SPECIFICATIONS: | | THIS DRAWING IS SUPPLIED FOR INFORMATION ONLY. DESIGN FEATURES, SPECIFICATIONS AND PERFORMANCE DATA SHOWN HEREON ARE THE PROPERTY OF THE AMPHENOL CORPORATION. NO RIGHTS OF REPRODUCTION ARE IMPLIED. ALL DIMENSIONS ARE SUBJECT TO NORMAL MANUFACTURING VARIATIONS. | | |
| PROCESS SPECIFICATIONS: | | SIZE | TYPE | DWG NO. |
| NEXT ASSY: | | B | C- | ATP04-6P-PM0xXX |
| | | SCALE: | NONE | REVISION A2 |
| | | SHEET 1 OF 1 | | |

TITLE: 6 POS. RECEPTACLE, PIN, ATP SERIES, W/ FLANGE, GASKET, THREADED INSERT
 DWG NO: ATP04-6P-PM0xXX
 REV: A2
 SH: 1
 OF: 1

ATP Series™ - Contact Size 12 Options

| Machined Contacts, Sockets & Pins | | | | |
|-----------------------------------|--|------|-------|----------|
| Part Number | Description | Size | AWG | Type |
| AT60-204-12141-10 | Male Contact - Pin, Nickel-plated | 12 | 10-12 | Machined |
| AT62-203-12141-10 | Female Contact - Socket, Nickel-plated | 12 | 10-12 | Machined |
| AT60-220-1231 | Male Contact - Pin, Gold-plated | 12 | 12-14 | Machined |
| AT62-210-1231 | Female Contact - Socket, Gold-plated | 12 | 12-14 | Machined |
| AT60-204-12141 | Male Contact - Pin, Nickel-plated | 12 | 12-14 | Machined |
| AT62-203-12141 | Female Contact - Socket, Nickel-plated | 12 | 12-14 | Machined |

| DiagnosticGrade™ Machined Contacts, Sockets & Pins | | | | |
|--|--|------|-----|----------|
| • Smaller AWG for Diagnostic Applications • Gold-plated • Increased Mating Cycles • Cost-effective | | | | |
| Part Number | Description | Size | AWG | Type |
| 65-54749 | Male Contact - DiagnosticGrade™, Pin, Gold-plated | 12 | 20 | Machined |
| AT62-210-1231-1820 | Female Contact - DiagnosticGrade™, Socket, Gold-plated | 12 | 20 | Machined |

| Tooling - Machined Contacts | | |
|--|-------------|---|
| Part | Part Number | Description |
|  | CA-5D12 | Universal Hand Crimp Tool, Size 12/16/20 (Machined contacts only) |
|  | CA-5E12 | Pneumatic Crimp Tool, Size 12/16/20 (Machined contacts only) |
|  | M300-25A | Hand Crimp Tool used with Crimp Locator MFX-3966, Size 12, 10AWG (Machined contacts only) |
|  | MFX-3966 | Contact Locator used with Hand Crimp Tool M300-25A, Size 12, 10AWG (Machined contacts only) |

| Contact Removal Tools | | |
|---|---------------|---|
| Part | Part Number | Description |
|  | ATRT-100 | Used for removal of contacts for A Series™ products |
|  | AT11-337-1205 | Contact Removal Tool, Plastic, Size 12 |
|  | A114017 | Sealing Plug, Size 12, White |

| Stamped & Formed Contacts, Sockets & Pins | | | | |
|---|--|------|-------|------------------|
| Part Number | Description | Size | AWG | Type |
| AT60-12-0244 | Male Contact - Pin, Gold-plated | 12 | 10-12 | Stamped & Formed |
| AT62-12-0244 | Female Contact - Socket, Gold-plated | 12 | 10-12 | Stamped & Formed |
| AT60-12-0222 | Male Contact - Pin, Nickel-plated | 12 | 10-12 | Stamped & Formed |
| AT62-12-0222 | Female Contact - Socket, Nickel-plated | 12 | 10-12 | Stamped & Formed |
| AT60-12-0144 | Male Contact - Pin, Gold-plated | 12 | 12-14 | Stamped & Formed |
| AT62-12-0144 | Female Contact - Socket, Gold-plated | 12 | 12-14 | Stamped & Formed |
| AT60-12-0166 | Male Contact - Pin, Nickel-plated | 12 | 12-14 | Stamped & Formed |
| AT62-12-0166 | Female Contact - Socket, Nickel-plated | 12 | 12-14 | Stamped & Formed |

| Tooling - Stamped & Formed Contacts | | |
|---|-------------|---|
| Part | Part Number | Description |
|  | MFX-3973 | Crimp Die - Size 12 (S&F contacts only) |
| | MFX-3985 | Crimp Die - Size 12 (S&F contacts only) 10-12AWG -02XX Series |
|  | ATT-12-00 | Hand Crimp Tool - Size 12, 12AWG (S&F contacts only) |
| | ATT-12-01 | Hand Crimp Tool - Size 12, 10AWG (S&F contacts only) |