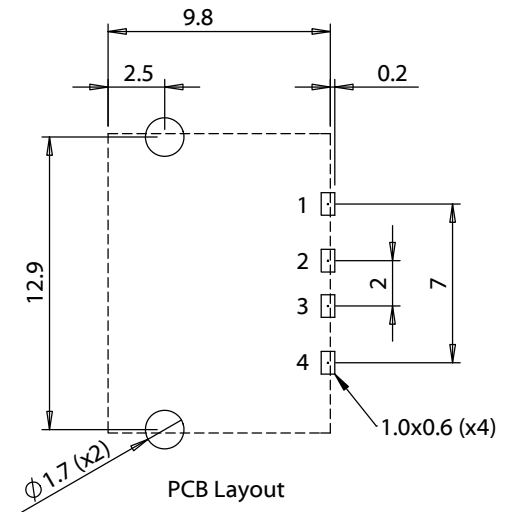
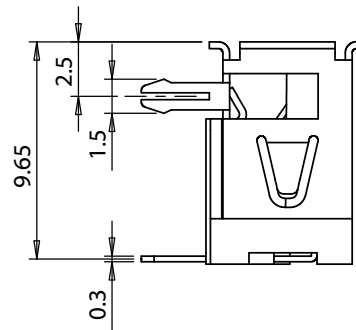
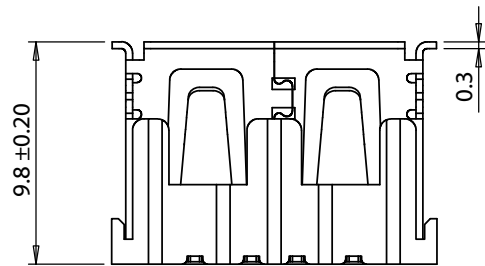
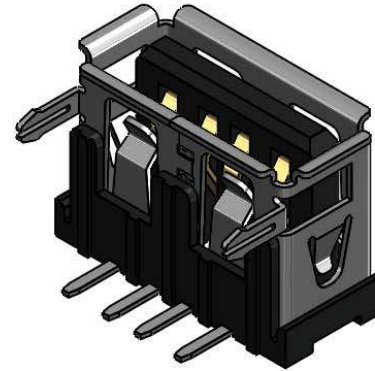
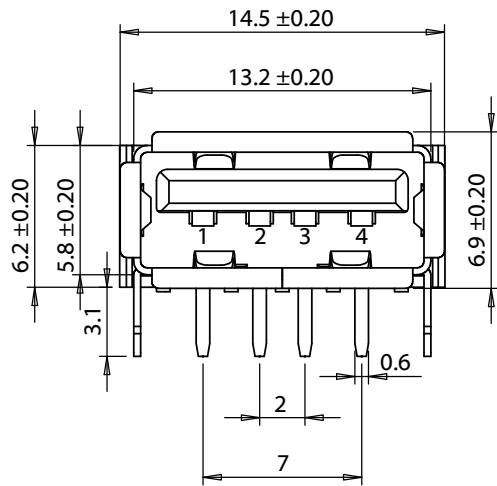


USB A jack 90° PCB mount



Revision:	Date:	Description:	Prepared:	Notes:	<h1>TENSILITY</h1> tel 1.541.323.3228 800 877.670.7118 fax 1.541.323.4202 web tensility.com
A	09/28/2015	Initial release	GL <small>Digitally signed by GL Date: 2018.08.06 10:00:16 -07'00'</small>		
A1	07/30/2018	Corrected operating temp range	Verified: RS <small>Digitally signed by RS Date: 2018.08.09 10:27:57 -07'00'</small>	Function test: no open, no short circuit, no intermittent	Size: Part number: A 54-00015
			Dimensions are in millimeters. Tolerances: X: ± 0.5 mm X.X: ± 0.3 mm X.XX: ± 0.05 mm	Description: Connector, USB A Jack, PCB mount, 90°, nickel shell, ground terminals, black insulator, tray	Scale: 3:1 Sheet 1 of 2

5



4

3

2

1

USB A jack 90° PCB mount

Materials

1. Shell, brass, nickel plated
2. Pins, brass, 5 μ" gold and tin plating
3. Insulator, PBT, black

Electrical

Rated voltage: 30 Vdc
 Rated current: 3 A
 Dielectric strength: 1 min @ 500 Vac
 Insulation resistance: 500 MΩ @ 500 Vdc
 Contact resistance: 50 mΩ or less

Mechanical

Insertion force: 3.5 kgf maximum
 Withdrawal force: 1.0 kgf minimum
 Durability: 1500 cycle minimum life; less than 100 mΩ contact resistance, minimum 100 MΩ insulation resistance
 Terminal strength: 0.3 kgf in any direction without damage or looseness

Soldering

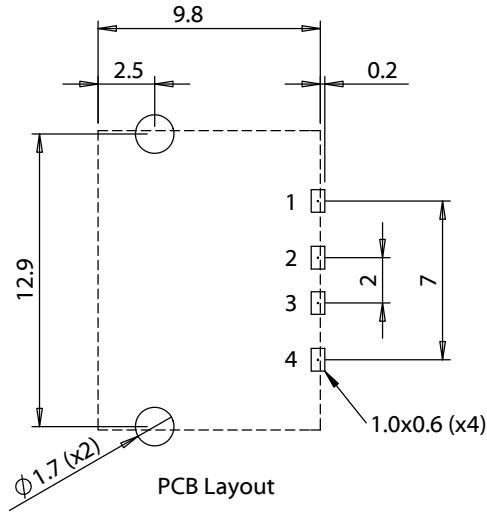
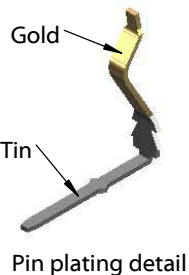
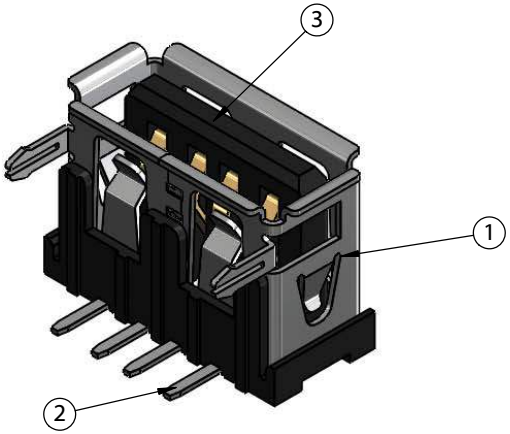
Solderability: 75% minimum coverage when terminals dipped 2 mm in 245 ±5 °C solder bath for 3 ±0.5 seconds
 Solder bath durability: no deformation when immersed in 255 ±5 °C up to surface of the board for 5 seconds or less
 Solder iron durability: no deformation when exposed to 350 ±10 °C for 3 ±0.5 seconds

Environmental

Cold test: -40 ±3 °C for 48 hours without deformation
 Heat test: 85 ±2 °C for 48 hours without deformation
 Humidity test: 40 ±2 °C and humidity between 90 and 98 % for 48 hours without deformation

Operating range

-40 ~ 85 °C



Revision:	Date:	Description:
A	09/28/2015	Initial release
A1	07/30/2018	Corrected operating temp range

Prepared:
GL
Digitally signed by GL
 Date: 2018.08.06
 10:00:37 -07'00'

Verified:
RS
Digitally signed by RS
 Date: 2018.08.09
 10:27:43 -07'00'

Dimensions are in millimeters.
 Tolerances:
 X: ± 0.5 mm
 X.X: ± 0.3 mm
 X.XX: ± 0.05 mm

Notes:
 RoHS and REACH compliant
 Function test: no open, no short circuit, no intermittent

Description:
 Connector, USB A Jack, PCB mount, 90°, nickel shell, ground terminals, black insulator, tray

TENSILITY

tel 1.541.323.3228 800 877.670.7118
 fax 1.541.323.4202 web tensility.com

Size: A	Part number: 54-00015
Scale: 3:1	Sheet 2 of 2