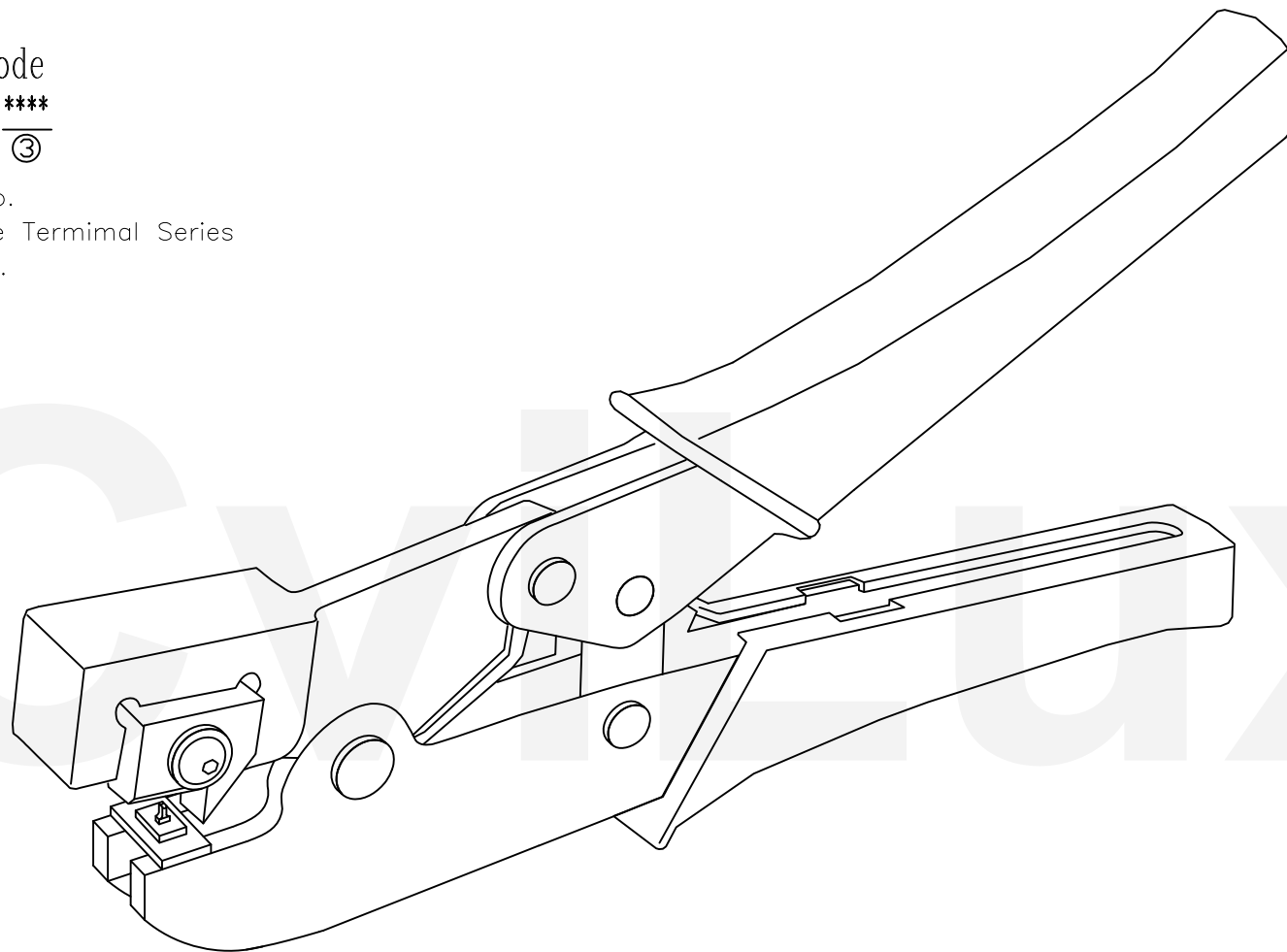


4

### Ordering Code

CM07    \*\*\*    \*\*\*\*  
 ①      ②      ③

- ① Series No.
- ② Applicable Terminal Series
- ③ Serial No.



④	Sun	5/27-20'	ECNT120140	<div style="border: 2px solid red; border-radius: 50%; padding: 5px; display: inline-block;"> <b>CVILUX</b>  <b>2020.06.11</b>  <b>ISSUED</b> </div>		DATE	UNIT: mm / inch	TITLE:	瀚荃股份有限公司 CviLux Corporation	
③	Karen	7/18-15'	ECNT115176/ECRT115057		DRAWN BY: Sun	5/29-20'	TOLERANCE UNLESS OTHERWISE SPECIFIED			CM07 Crimping Machine
②	Karen	3/23-15'	ECNT115056/ECRT115005		ENGINEER: Sun	5/29-20'	.X ±	X" ± 1"	MATERIAL:	
①	Sun	1/07-09'	ECN09004		CHECKED BY: Eisley	6/5-20'	.XX ±	.X" ±	FINISH:	
SYM	NAME	DATE	REVISIONS	APPROVED BY: Eisley	6/5-20'	.XXX ±	.XX" ±	DRAWING NO. <b>CM0701SE</b>	PART NO. <b>CM07*****</b>	
								SCALE	1 / 4	SHEET 1 OF 1