

注記 1. 材質 MATERIAL
 NOTES ハウジング : 液晶ポリマー-UL94V-0
 HOUSING : LIQUID CRYSTAL POLYMER [LCP]
 UL94V-0

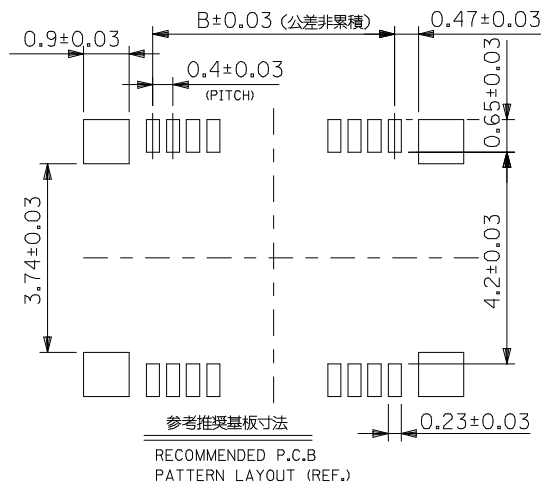
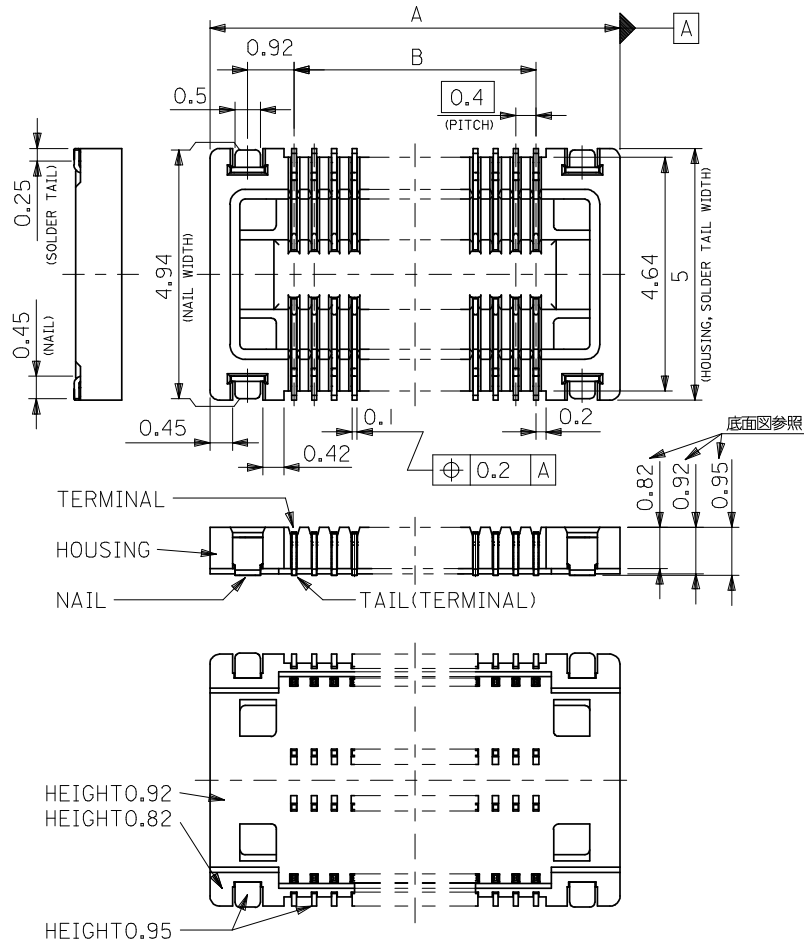
ターミナル : 銅合金
 TERMINAL : COPPER ALLOY
 ネール : 銅合金
 NAIL : COPPER ALLOY

2. メッキ仕様 PLATING
 接点部 : 金メッキ 0.1µm
 CONTACT AREA : GOLD PLATING 0.1µm
 半田付け部 : 金メッキ 0.1µm
 SOLDER TAIL AREA : GOLD PLATING 0.1µm
 下地メッキ : ニッケルメッキ 1.0µm
 UNDER PLATING : NICKEL PLATING 1.0µm
 ネール : 錫メッキ 1.0µm
 NAIL : TIN PLATING 1.0µm
 下地メッキ : ニッケルメッキ 1.0µm
 UNDER PLATING : NICKEL PLATING 1.0µm

3. テール及びネールの平坦度は 0.1 以下
 TAIL AND NAIL COPLANARITY : 0.1 MAX.

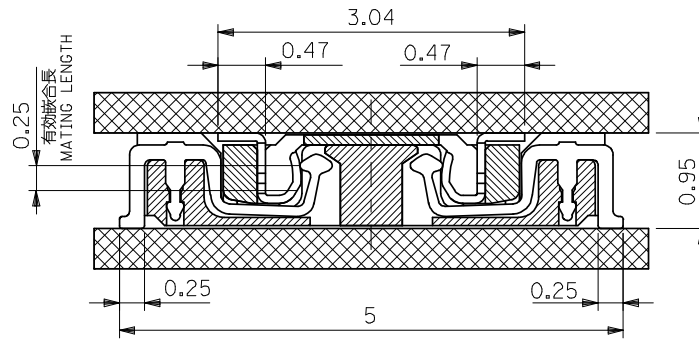
4. 嵌合相手 : 500027 シリウス
 MATE WITH : 500027 SERIES

5. 本製品は 500024-***19 の鉛フリー品である。
 THIS PRODUCT IS LEAD FREE OF 500024-***19



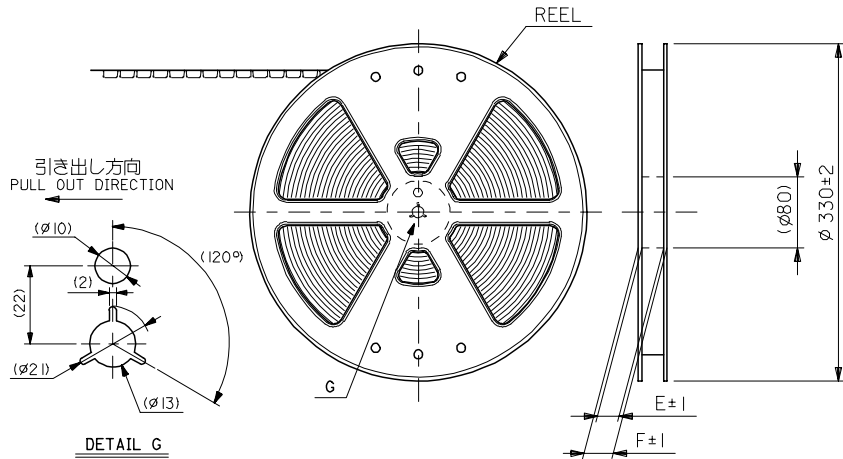
7.74	4.4	500024-2481	500024-2418	24
6.94	3.6	500024-2081	500024-2018	20
6.14	2.8	500024-1681	500024-1618	16
A	B	EMBOSSED TAPE PKG. ORDER No. オーダー番号	MATERIAL No.	CIRCUIT
			500024-***18	MODEL NO.

REVISED EC NO. : J2009-0301 DRWN: MWABEI 2008/08/27 CHKD: THARUYAMA 2008/08/28 APPR: NUKITA 2008/08/28	GENERAL TOLERANCES (UNLESS SPECIFIED)		DIMENSION STYLE MM ONLY	SCALE ---	DESIGN UNITS METRIC	THIRD ANGLE PROJECTION
	10 UNDER	±0.2	DRAWN BY HSHIMABUKURO	DATE 2004/03/10	TITLE 0.4MM B/B CONN. H=0.95 REC. HS'G ASS'Y -LAED FREE-	
	10 OVER 30 UNDER	±0.25	CHECKED BY KTOJO	DATE 2004/03/10	MOLEX INCORPORATED	
	30 OVER	±0.3	APPROVED BY MSASAO	DATE 2004/03/10	DOCUMENT NO. SD-500024-020	SHEET NO. 1 OF 2
REV	DESCRIPTION	ANGULAR ±3 ° DRAFT WHERE APPLICABLE MUST REMAIN WITHIN DIMENSIONS	MATERIAL NO. SEE TABLE	THIS DRAWING CONTAINS INFORMATION THAT IS PROPRIETARY TO MOLEX INCORPORATED AND SHOULD NOT BE USED WITHOUT WRITTEN PERMISSION		



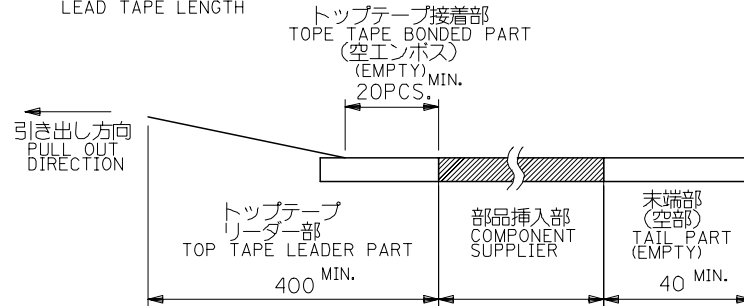
嵌合断面図 (参考)
MATED DRAWING

REVISED EC NO: J2009-0301 DRWN: MABEI 2008/08/27 CHKD: THARUYAMA 2008/08/28 APPR: NUKITA 2008/08/28	GENERAL TOLERANCES (UNLESS SPECIFIED)		DIMENSION STYLE MM ONLY	SCALE ---	DESIGN UNITS METRIC	THIRD ANGLE PROJECTION
	10 UNDER	± 0.2	DRAWN BY HSHIMABUKURO	DATE 2004/03/10	TITLE 0.4MM B/B CONN. H=0.95 REC. HS'G ASS'Y -LEAD FREE-	
	10 OVER 30 UNDER	± 0.25	CHECKED BY KTOJO	DATE 2004/03/10	MOLEX INCORPORATED	
	30 OVER	± 0.3	APPROVED BY MSASAO	DATE 2004/03/10	DOCUMENT NO. SD-500024-020	SHEET NO. 2 OF 2
REV	DESCRIPTION	ANGULAR ± 3 ° DRAFT WHERE APPLICABLE MUST REMAIN WITHIN DIMENSIONS	MATERIAL NO. SEE SHEET 1	THIS DRAWING CONTAINS INFORMATION THAT IS PROPRIETARY TO MOLEX INCORPORATED AND SHOULD NOT BE USED WITHOUT WRITTEN PERMISSION		



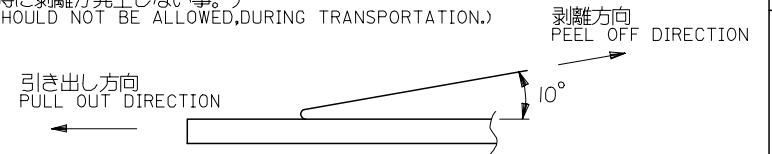
注) NOTES

- 製品番号 500024-**18 詳細寸法については、製品単体図面を参照下さい。
IN THE PACKAGE PART NUMBER 500024-**18 DETAILED DIMENSIONS, SEE SALES DRAWING FOR CONNECTOR.
- 梱包数量：2000個/リール
NUMBER OF CONNECTORS : 2000 PCS/REEL.
- リードテープ長さ
LEAD TAPE LENGTH



- トップテープの剥離強度：(剥離方向は下図参照)
PEELING OFF FORCE OF TOP TAPE (PELLING DIRECTION AS SHOWN IN FOLLOWING FIGURE.)
0.1~1.3N{10~130gf}

尚、本規格値は、出荷時に適用。
THIS REQUIREMENT SHOULD BE APPLIED AT SHIPMENT.
(但し、輸送時に剥離が発生しない事。)
(PEEL OFF SHOULD NOT BE ALLOWED, DURING TRANSPORTATION.)



- 材料
MATERIAL
キャリアテープ：ポリプロピレン (PP)
CARRIER TAPE: POLYPROPYLENE (PP)
トップテープ：PET, PE, PEF
TOP TAPE: PET, PE, PEF
リール：ポリスチレン
REEL : POLYSTYRENE
- 本製品は 500024-**11 の鉛フリー品である。
THIS PRODUCT IS LEAD FREE OF 500024-**11

500024-**8 | MODEL NO.

REVISED EC NO: J2005-1634 DRAWN: KENSUZUKI 2005/02/15 CHKD: NUKITA 2005/02/15 APPR: NUKITA 2005/02/15	GENERAL TOLERANCES (UNLESS SPECIFIED)		DIMENSION STYLE MM ONLY		SCALE ---	DESIGN UNITS METRIC	THIRD ANGLE PROJECTION	
	10 UNDER	±0.2	DRAWN BY DATE HSHIMABUKURO 2004/03/10		TITLE 500024-**18 TAPING PACKAGE -LEAD FREE-			
	10 OVER 30 UNDER	±0.25	CHECKED BY DATE KTOJO 2004/03/10					
	30 OVER	±0.3	APPROVED BY DATE MSASAO 2004/03/10		MOLEX INCORPORATED			
	ANGULAR	±3 °	MATERIAL NO. SEE CHART		DOCUMENT NO. SD-500024-021		SHEET NO. 1 OF 2	
DRAFT WHERE APPLICABLE MUST REMAIN WITHIN DIMENSIONS		SIZE A3		THIS DRAWING CONTAINS INFORMATION THAT IS PROPRIETARY TO MOLEX INCORPORATED AND SHOULD NOT BE USED WITHOUT WRITTEN PERMISSION				

10

9

8

7

6

5

4

3

2

1

F

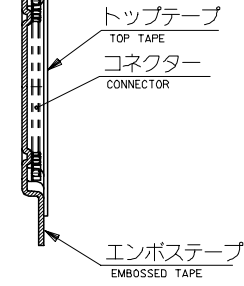
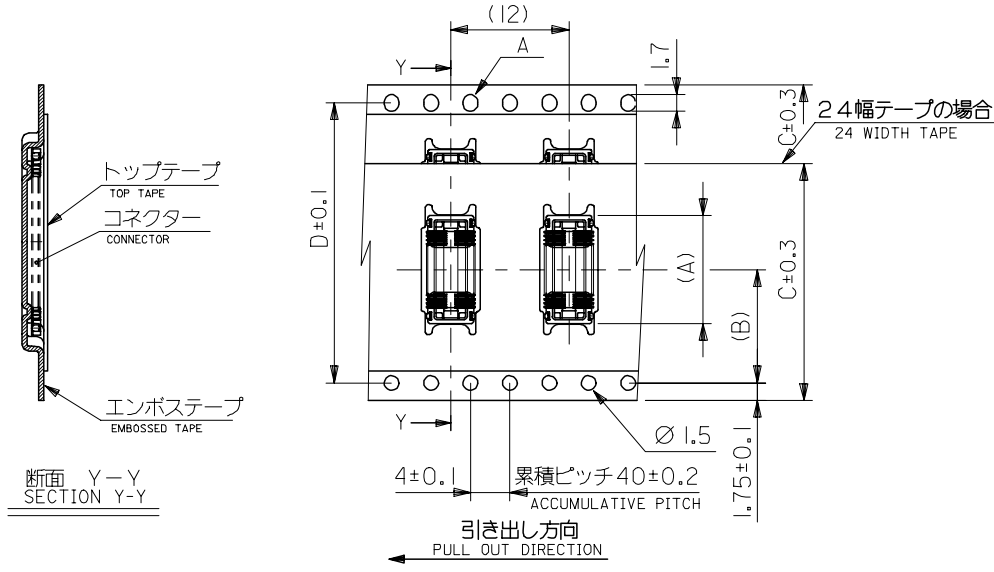
E

D

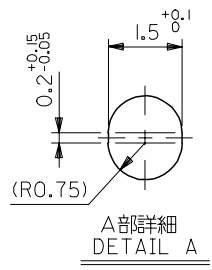
C

B

A



断面 Y-Y SECTION Y-Y



A部詳細 DETAIL A

7.74	11.5	24	—#—	25.4	29.4	500024-2418	500024-2481	24
6.94	11.5	24	—#—	25.4	29.4	500024-2018	500024-2081	20
6.14	11.5	24	—#—	25.4	29.4	500024-1618	500024-1681	16
(A)	(B)	C	D	E	F	CONNECTOR	MATERIAL No.	CIRCUIT

500024-**81 MODEL.NO.

REVISED EC No.: J2005-1634 DRAWN: KENSUJIKI 2005/02/15 CHKD: NUKITA 2005/02/15 APPR: NUKITA 2005/02/15	GENERAL TOLERANCES (UNLESS SPECIFIED)		DIMENSION STYLE MM ONLY		SCALE ---	DESIGN UNITS METRIC	THIRD ANGLE PROJECTION	
	10 UNDER	±0.2	DRAWN BY DATE HSHIMABUKURO 2004/03/10		TITLE 500024-**18 TAPING PACKAGE -LEAD FREE-			
	10 OVER 30 UNDER	±0.25	CHECKED BY DATE KTOJO 2004/03/10					
	30 OVER	±0.3	APPROVED BY DATE MSASAO 2004/03/10		MATERIAL NO. DOCUMENT NO. SHEET NO. SEE CHART SD-500024-021 2 OF 2			
	ANGULAR ±3 °		DRAFT WHERE APPLICABLE MUST REMAIN WITHIN DIMENSIONS		SIZE A3		THIS DRAWING CONTAINS INFORMATION THAT IS PROPRIETARY TO MOLEX INCORPORATED AND SHOULD NOT BE USED WITHOUT WRITTEN PERMISSION	