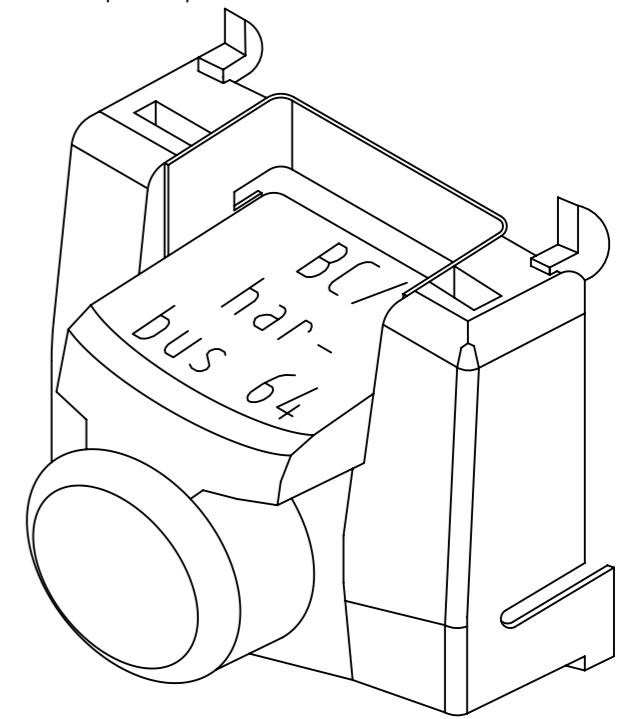
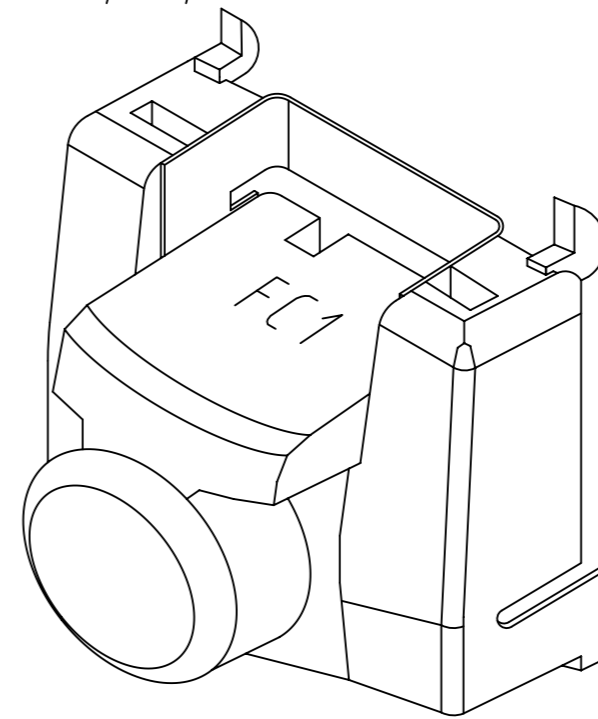


Positionierer FC1 im Set enthalten.
Ersatzteil-Nr. 09 99 000 0641

Locator FC1 scope of delivery.
Spare part no. 09 99 000 0641

Positionierer BC im Set enthalten.
Ersatzteil-Nr. 09 99 000 0640

Locator BC scope of delivery.
Spare part no. 09 99 000 0640



Anwendungsbereich: FC1/BC/har-bus64 Kontakte
Application range: FC1/BC/har-bus64 contacts

Leiterquerschnitt: Profil 1: 0,09-0,25 mm² (AWG 24-28)
wire gauge : Profil 2: 0,25-0,50 mm² (AWG 20-24)

| | | | | | |
|--|---------------------------------|-----------|---------------------------------|------------|----------------------------|
| für har-bus 64 Crimpkontakte: / for har-bus 64 crimp contacts: | | | | | |
| 02 05 000 2513 | Feder / female | 2 | 0,09-0,5 | 28-20 | 0,7-1,5 |
| 02 05 000 1513 | Feder / female | 1 | 0,09-0,5 | 28-20 | 0,7-1,5 |
| für BC Crimpkontakte: / for BC crimp contacts: | | | | | |
| 09 02 000 8484 | Feder / female | 2 | 0,09-0,5 | 28-20 | 0,7-1,5 |
| 09 02 000 8474 | Feder / female | 1 | 0,09-0,5 | 28-20 | 0,7-1,5 |
| für FC1 Crimpkontakte: / for FC1 crimp contacts: | | | | | |
| 09 06 000 8484 | Feder / female | 2 | 0,09-0,25 | 28-24 | 0,7-1,5 |
| 09 06 000 8474 | Feder / female | 1 | 0,09-0,25 | 28-24 | 0,7-1,5 |
| Kontakt Nr. contact no. | Messer / Feder male / female | AFS PL | Leiterquerschnitt wire gauge | AWG AWG | Isolationsø Insulationø |

Linearer Hub
Straight action principle

Entriegelbare Zwangssperre
Ratchet release

Präzise geschliffene Profile
Precisely ground profiles

Gewicht ca. 350 g
Weight approx. 350 g

Kontaktpositionierung mit Positionierer
Contact positioning with locator

| | | | | | | | |
|---|--|---|------------------------|---------------------------|---------------------------|--|------------------------|
| | All Dimensions in mm Original Size DIN A3 | | Scale 1:1 | Free size tol. | | Ref. Sub. | |
| | All rights reserved | | Created by WAERMKER | Inspected by HAERTLING | Standardisation KÖHLER | Date 2012-10-08 | State Final Release |
| Department EC PD - DE | | Title CRIMP-TOOL -FC 1/ BC / HAR-BUS64 | | | | Doc-Key / ECH-Nr. 100073575/UGD/001/B | |
| HARTING Electronics GmbH D-32339 Espelkamp | | Type TB | Number 09990000075 | | | Rev. B | Page 1/1 |