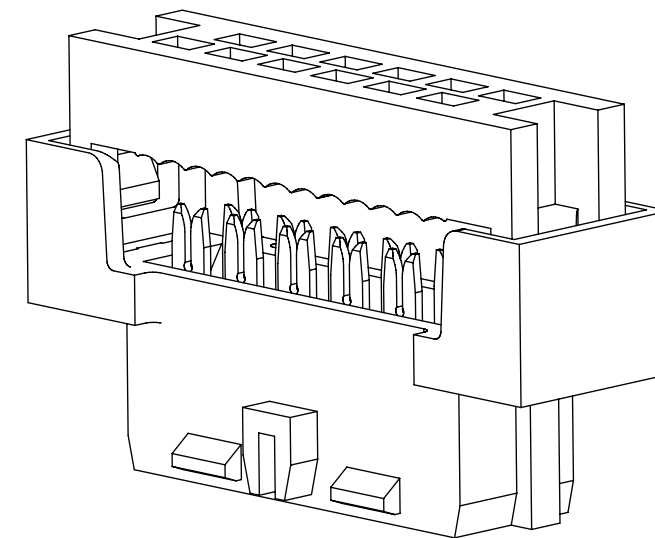
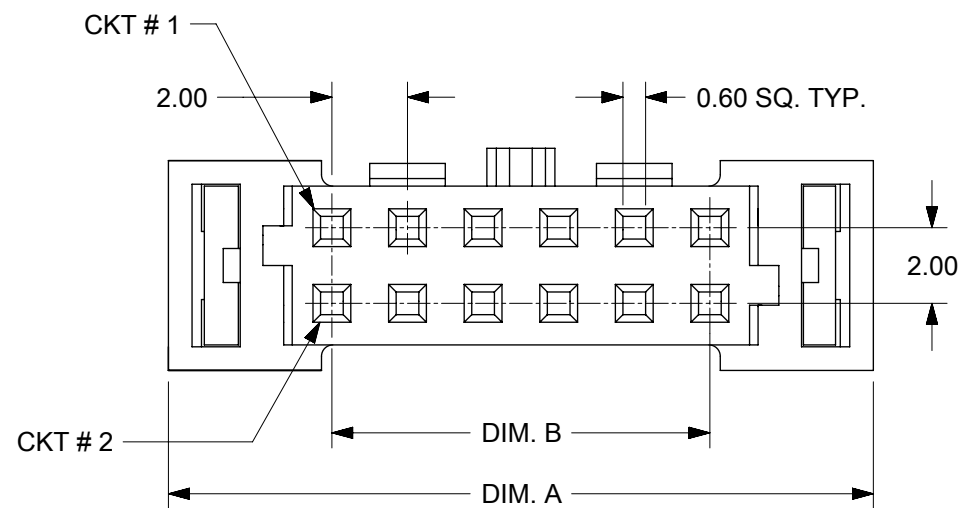
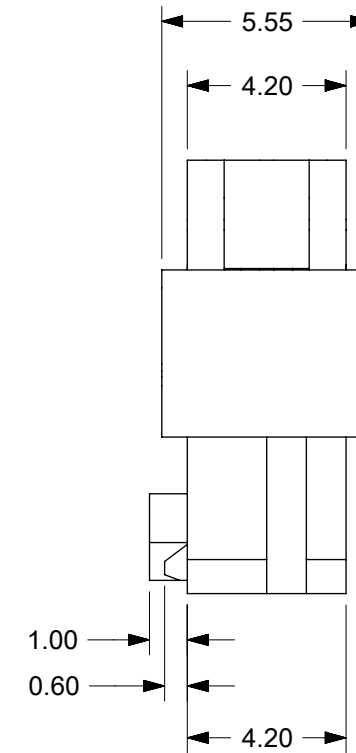
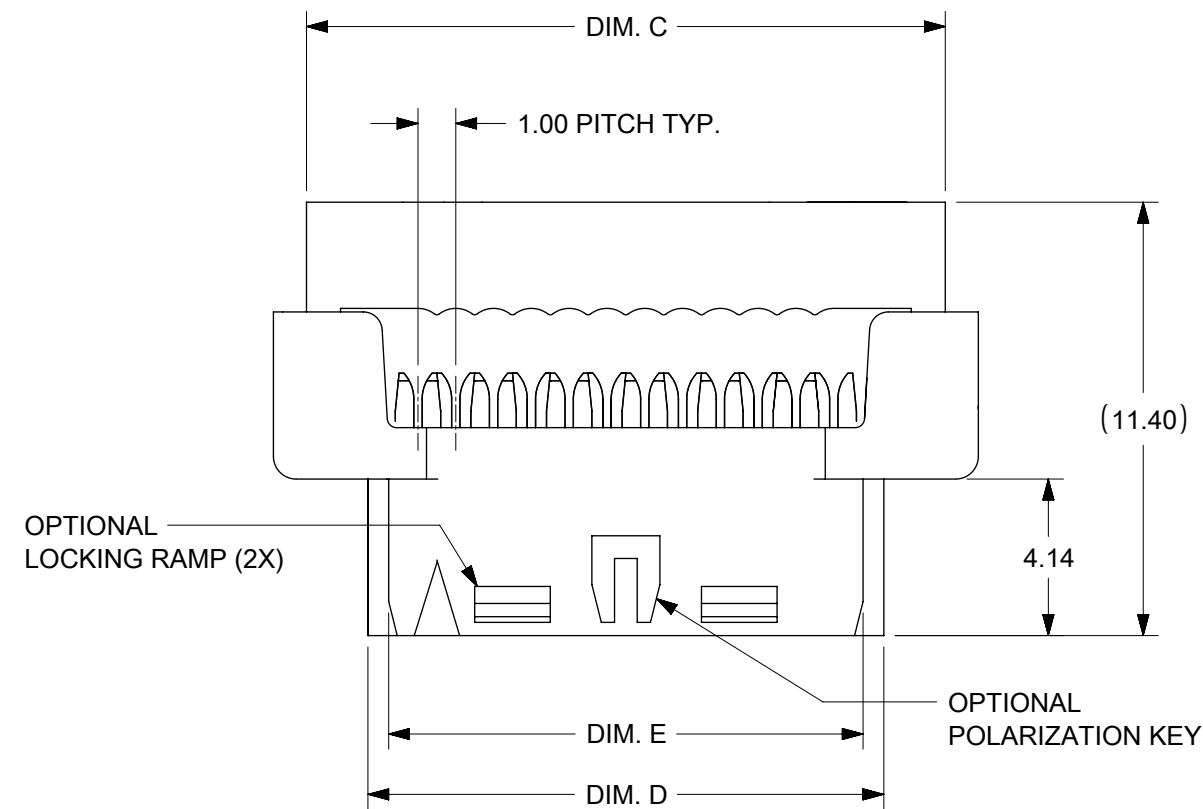


E



1. MATERIALS:  
HOUSING - PBT. GLASS FILLED UL94V-0 BLACK  
TERMINAL - COPPER ALLOY
2. FINISHES  
PLATING 3 - 15µin (0.38µm) SELECTIVE GOLD IN CONTACT AREA  
AND 75µin (1.88µm) TIN IN IDT AREA OVER 50µin (1.25µm)  
NICKEL OVERALL.  
PLATING 4 - 30µin (0.76µm) SELECTIVE GOLD IN CONTACT AREA  
AND 75µin (1.88µm) TIN IN IDT AREA OVER 50µin (1.25µm)  
NICKEL OVERALL.  
PLATING 5 - 2µin (0.05µm) SELECTIVE GOLD IN CONTACT AREA  
AND 75µin (1.88µm) TIN IN IDT AREA OVER 50µin (1.25µm)  
NICKEL OVERALL.
3. PRODUCT SPEC PS-87568-004 APPLIES.
4. FOR ILLUSTRATION PURPOSES, 12 CKT IS SHOWN.
5. PART MATES WITH ALL MILLIGRID HEADERS WITH MATING LENGTH (H5) BETWEEN 2.50mm AND 4.20mm WITH THE RIGHT KEYING OPTION.
6. PART IS DESIGNED FOR 1.00mm PITCH FLAT CABLE, 7 STRANDS, AWG #28, UL2651 AND UL2678.
7. ALL OTHER CIRCUIT SIZES, CONTACT FACTORY.
8. STRAIN RELIEF TO BE PURCHASED SEPERATELY. REFER TO SD-87569-008.
9. PACKAGING SPECIFICATION :PK-87568-0001.

THIS DRAWING CONTAINS INFORMATION THAT IS PROPRIETARY TO MOLEX ELECTRONIC TECHNOLOGIES, LLC AND SHOULD NOT BE USED WITHOUT WRITTEN PERMISSION

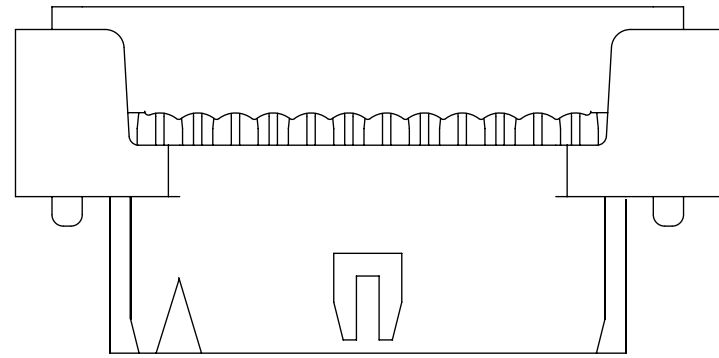
|   |            |  |        |                 |                        |   |                                      |  |  |
|---|------------|--|--------|-----------------|------------------------|---|--------------------------------------|--|--|
| EC NO: 749397<br>DRWN: SUAIFR<br>CHK'D: SUAIFR<br>REV APPR: MIRAMAKRISHNA | 2023/05/12 | GENERAL TOLERANCES (UNLESS SPECIFIED)                |        | DIMENSION UNITS | SCALE                  |   |                                      |  |  |
|   | 2023/05/12 | MM   | INCH   | MM              | NTS                    |   |                                      |  |  |
|   | 2023/05/13 | 4 PLACES   | ±      | ±               | DRWN BY                | DATE  | MGRID<br>2MM DUAL ROW IDT RECEPTACLE |  |  |
|   |            | 3 PLACES   | ±      | ±               | AGARWAL                | 1997/08/05  |                                      |  |  |
|   |            | 2 PLACES   | ± 0.15 | ±               | CHK'D BY               | DATE  | PRODUCT CUSTOMER DRAWING             |  |  |
|   | 1 PLACES   | ±  | ±      | SQUEK           | 1997/09/03             |   |                                      |  |  |
|   | 0 PLACES   | ±  | ±      | APPR BY         | DATE                   | SERIES: 87568    MATERIAL NUMBER: SEE TABLE    CUSTOMER: GENERAL MARKET                 |                                      |  |  |
|   |            |  |        | MLONG           | 2009/11/13             |   |                                      |  |  |
|   |            | ANGULAR TOL = 3.0                                    |        | DRAWING SIZE    | THIRD ANGLE PROJECTION | DOCUMENT NUMBER: SD-87568-003    DOC TYPE: PSD    DOC PART: 001    SHEET NUMBER: 1 OF 3 |                                      |  |  |
|   |            | DRAFT WHERE APPLICABLE MUST REMAIN WITHIN DIMENSIONS |        | A3              |                        |   |                                      |  |  |

|                |    |              |            |          |
|----------------|----|--------------|------------|----------|
| RELEASE STATUS | P1 | RELEASE DATE | 2023/05/13 | 01:47:28 |
|----------------|----|--------------|------------|----------|

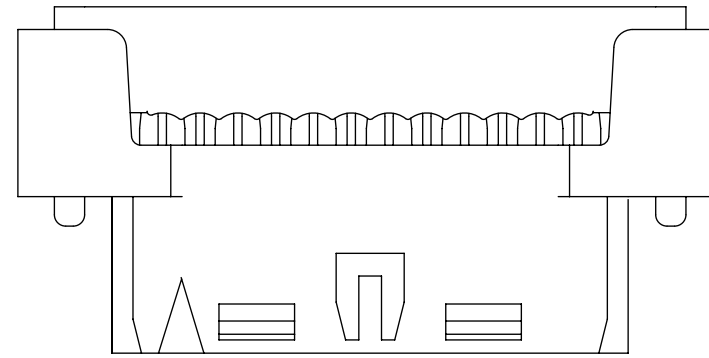
A

A

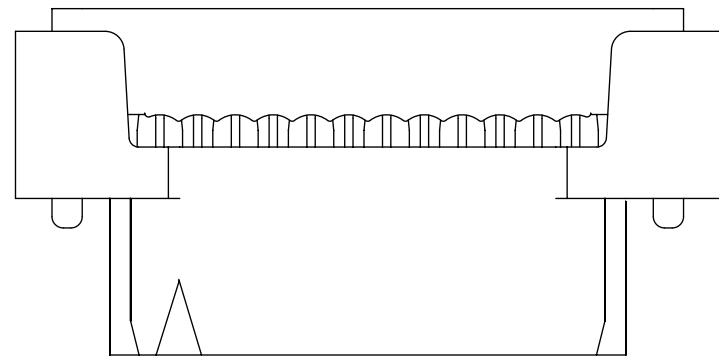
| ENGINEERING NUMBER | CKT. SIZE | A     | B     | C     | D     | E     |
|--------------------|-----------|-------|-------|-------|-------|-------|
| 87568-10**         | 10        | 16.65 | 8.00  | 14.90 | 11.65 | 10.55 |
| 87568-12**         | 12        | 18.65 | 10.00 | 16.90 | 13.65 | 12.55 |
| 87568-14**         | 14        | 20.65 | 12.00 | 18.90 | 15.65 | 14.55 |
| 87568-16**         | 16        | 22.65 | 14.00 | 20.90 | 17.65 | 16.55 |
| 87568-20**         | 20        | 26.65 | 18.00 | 24.90 | 21.65 | 20.55 |
| 87568-22**         | 22        | 28.65 | 20.00 | 26.90 | 23.65 | 22.55 |
| 87568-24**         | 24        | 30.65 | 22.00 | 28.90 | 25.65 | 24.55 |
| 87568-26**         | 26        | 32.65 | 24.00 | 30.90 | 27.65 | 26.55 |
| 87568-30**         | 30        | 36.65 | 28.00 | 34.90 | 31.65 | 30.55 |
| 87568-32**         | 32        | 38.65 | 30.00 | 36.90 | 33.65 | 32.55 |
| 87568-34**         | 34        | 40.65 | 32.00 | 38.90 | 35.65 | 34.55 |
| 87568-36**         | 36        | 42.65 | 34.00 | 40.90 | 37.65 | 36.55 |
| 87568-40**         | 40        | 46.65 | 38.00 | 44.90 | 41.65 | 40.55 |
| 87568-44**         | 44        | 50.65 | 42.00 | 48.90 | 45.65 | 44.55 |
| 87568-50**         | 50        | 56.65 | 48.00 | 54.90 | 51.65 | 50.55 |



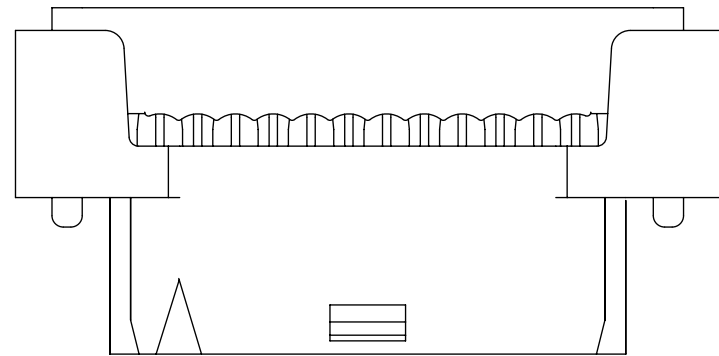
87568-\*\*4\*  
POLARIZATION ONLY  
(APPLICABLE FOR 14 TO 50CKT)



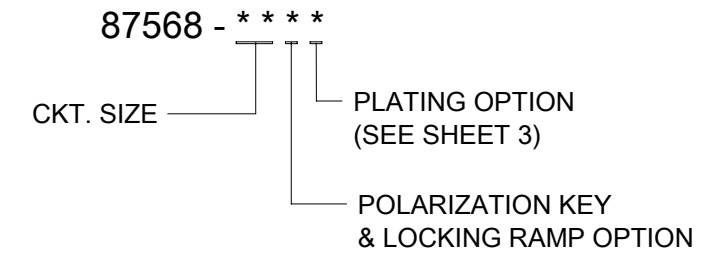
87568-\*\*9\*  
POLARIZATION AND RAMP LOCKING  
(APPLICABLE FOR 14 TO 50 CKT)



87568-\*\*6\*  
NO POLARIZATION/RAMP FEATURE  
(APPLICABLE FOR 10 TO 50 CKT)



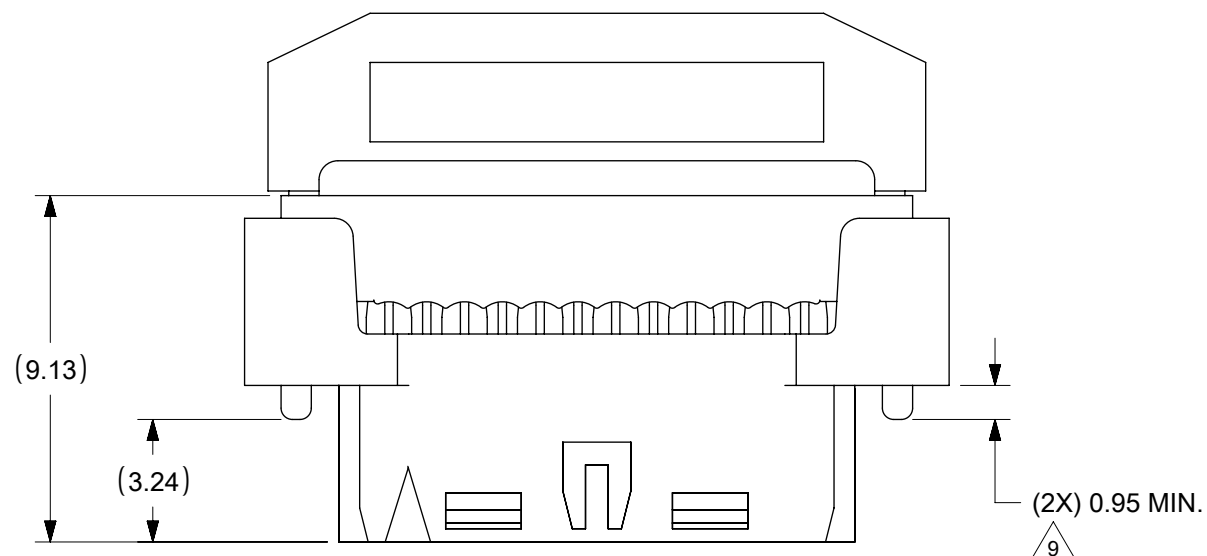
87568-\*\*7\*  
SINGLE RAMP LOCKING ONLY  
(APPLICABLE FOR 10 TO 12 CKT)



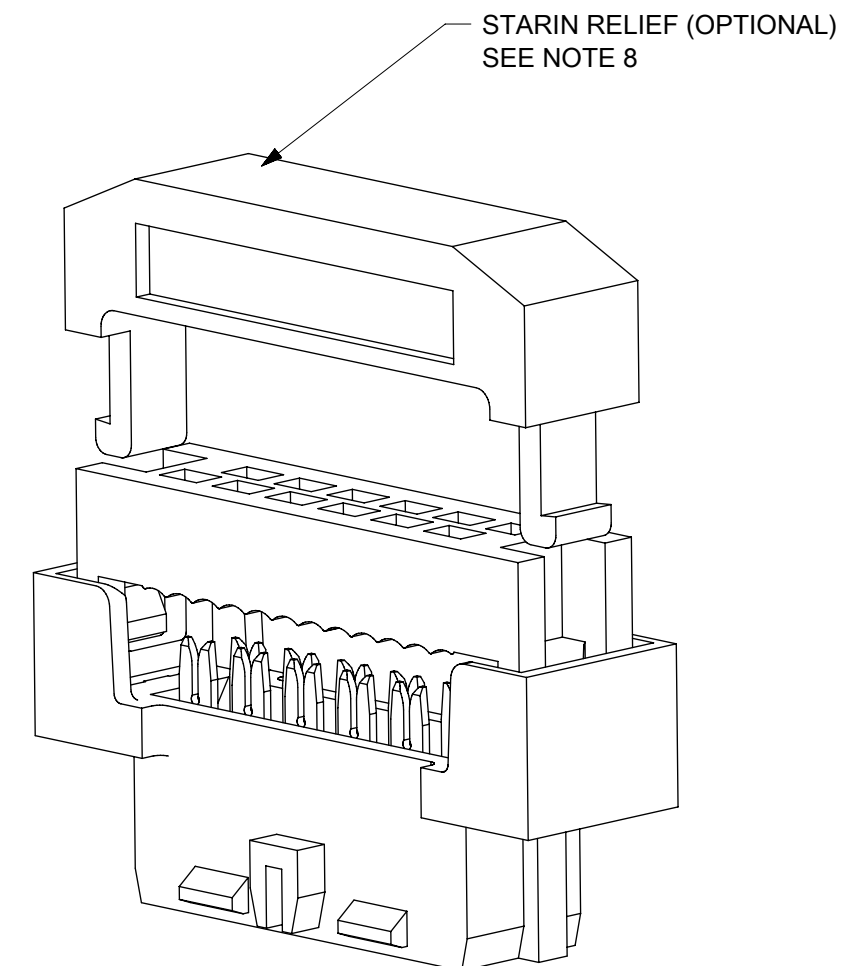
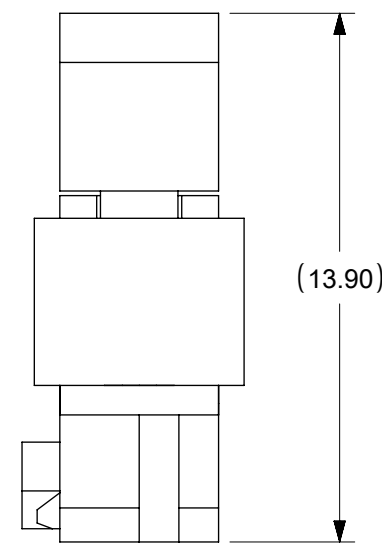
- 4 - WITH POLARIZATION ONLY FOR 14-50 CKT
- 6 - WITHOUT POLARIZATION AND RAMP LOCKING
- 7 - WITH SINGLE RAMP LOCKING ONLY FOR 10 & 12 CKT
- 9 - WITH POLARIZATION AND RAMP LOCKING 14 - 50 CKT
- 10-12 CIRCUIT SIZE HAS ONLY ONE RAMP FOR LOCKING (OPTIONAL)
- 14-50 CIRCUIT SIZE HAS BOTH POLARIZATION AND RAMP LOCKING (OPTIONAL)

THIS DRAWING CONTAINS INFORMATION THAT IS PROPRIETARY TO MOLEX ELECTRONIC TECHNOLOGIES, LLC AND SHOULD NOT BE USED WITHOUT WRITTEN PERMISSION

|   |                                       |  |                 |                        |                 |                 |                |              |
|---|---------------------------------------|--|-----------------|------------------------|-----------------|-----------------|----------------|--------------|
| EC NO: 749397<br>DRWN: SUAIFR<br>CHKD: SUAIFR<br>APPR: MRAMAKRISHNA | GENERAL TOLERANCES (UNLESS SPECIFIED) |  | DIMENSION UNITS | SCALE                  |                 |                 |                |              |
|   |                                       |  | MM              | NTS                    |                 |                 |                |              |
|   | 4 PLACES                              | ±  | MM              | INCH                   |                 | DRWN BY         | DATE           |              |
|   | 3 PLACES                              | ±  |                 |                        |                 | AGARWAL         | 1997/08/05     |              |
|   | 2 PLACES                              | ± 0.15   |                 |                        |                 | CHK'D BY        | DATE           |              |
| 1 PLACES  | ±                                     |  |                 | SQUEK                  | 1997/09/03      |                 |                |              |
| 0 PLACES  | ±                                     |  |                 | APPR BY                | DATE            |                 |                |              |
|   |                                       |  |                 | MLONG                  | 2009/11/13      |                 |                |              |
|   |                                       | ANGULAR TOL = 3.0                                    | DRAWING SIZE    | THIRD ANGLE PROJECTION | SERIES          | MATERIAL NUMBER | CUSTOMER       |              |
|   |                                       |  | A3              |                        | 87568           | SEE TABLE       | GENERAL MARKET |              |
|   |                                       | DRAFT WHERE APPLICABLE MUST REMAIN WITHIN DIMENSIONS |                 |                        | DOCUMENT NUMBER | DOC TYPE        | DOC PART       | SHEET NUMBER |
| H5  |                                       |  |                 |                        | SD-87568-003    | PSD             | 001            | 2 OF 3       |



CABLE LOADED ASSEMBLY WITH STRAIN RELIEF



3D VIEW (12 CKT SHOWN FOR ILLUSTRATION ONLY)

NOTES

1 THIS DIMENSION IS TO ENSURE GOOD CABLE TERMINATION.

THIS DRAWING CONTAINS INFORMATION THAT IS PROPRIETARY TO MOLEX ELECTRONIC TECHNOLOGIES, LLC AND SHOULD NOT BE USED WITHOUT WRITTEN PERMISSION

|   |            |  |        |                 |                        |                 |                                      |                |          |              |  |
|---|------------|--|--------|-----------------|------------------------|-----------------|--------------------------------------|----------------|----------|--------------|--|
| EC NO: 749397<br>DRWN: SUAIFR<br>CHK'D: SUAIFR<br>REV APPR: MIRAMAKRISHNA | 2023/05/12 | GENERAL TOLERANCES (UNLESS SPECIFIED)                |        | DIMENSION UNITS |                        | SCALE           |                                      |                |          |              |  |
|   | 2023/05/12 | MM   | INCH   | MM              | NTS                    |                 |                                      |                |          |              |  |
|   | 2023/05/13 | 4 PLACES   | ±      | ±               | DRWN BY                | DATE            | MGRID<br>2MM DUAL ROW IDT RECEPTACLE |                |          |              |  |
|   |            | 3 PLACES   | ±      | ±               | AGARWAL                | 1997/08/05      |                                      |                |          |              |  |
|   |            | 2 PLACES   | ± 0.15 | ±               | CHK'D BY               | DATE            |                                      |                |          |              |  |
|   |            | 1 PLACES   | ±      | ±               | SQUEK                  | 1997/09/03      | PRODUCT CUSTOMER DRAWING             |                |          |              |  |
|   | 0 PLACES   | ±  | ±      | APPR BY         | DATE                   |                 |                                      |                |          |              |  |
|   |            | ANGULAR TOL = 3.0                                    |        | MLONG           | 2009/11/13             | SERIES          | MATERIAL NUMBER                      | CUSTOMER       |          |              |  |
|   |            | DRAFT WHERE APPLICABLE MUST REMAIN WITHIN DIMENSIONS |        | DRAWING SIZE    | THIRD ANGLE PROJECTION | 87568           | SEE TABLE                            | GENERAL MARKET |          |              |  |
| H5  |            |  |        | A3              |                        | DOCUMENT NUMBER |                                      | DOC TYPE       | DOC PART | SHEET NUMBER |  |
|   |            |  |        |                 |                        | SD-87568-003    |                                      | PSD            | 001      | 3 OF 3       |  |