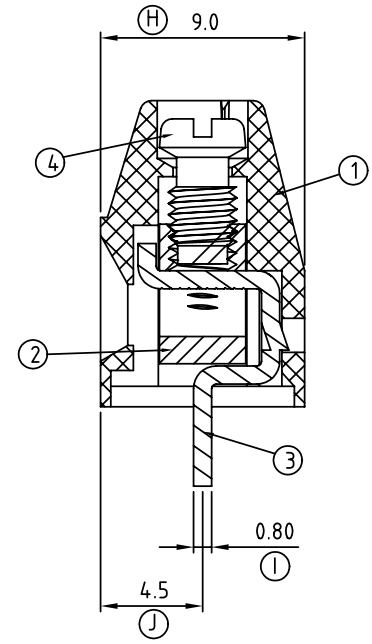
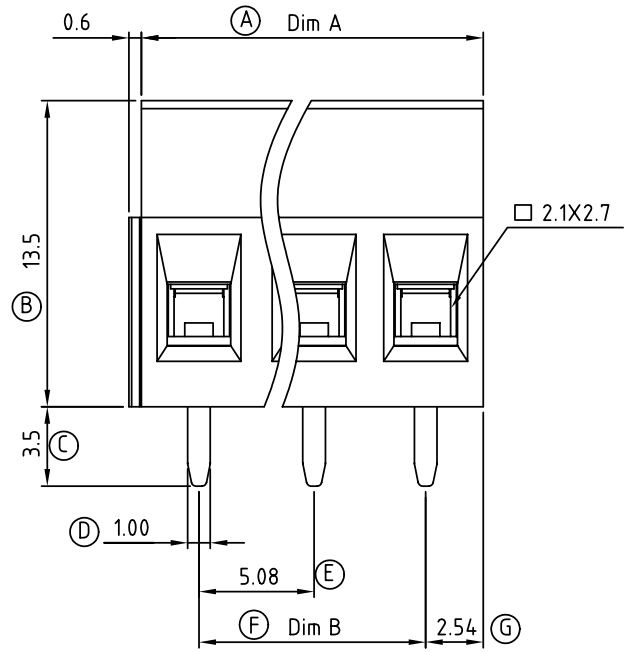


P.C.B LAYOUT



N=Number of contacts

Poles	02	03	04	05	06	07	08	09	10	11	12	13
Dim A			20.32	25.40	30.48	35.56	40.64	45.72	50.80	55.88	60.96	66.04
Dim B			15.24	20.32	25.40	30.48	35.56	40.64	45.72	50.80	55.88	60.96
TOL	±0.10				±0.15				±0.20			
Poles	14	15	16	17	18	19	20	21	22	23	24	
Dim A	71.12	76.20	81.28	86.36	91.44	96.52	101.60	106.68	111.76	116.84	121.92	
Dim B	66.04	71.12	76.20	81.28	86.36	91.44	96.52	101.60	106.68	111.76	116.84	
TOL	±0.20		±0.25				±0.30					

SIGN	DATE	DESCRIPTION	APPROVER
△	09/16/09	Poles is changed from 2p-24p to 4p-24p	Aaron
△	09/16/09	Drawing NO. is changed from 8VI0137 to 8VI0302	Aaron
△			

THIS IS CAD DRAWING, DO NOT REVISE MANUALLY!!!

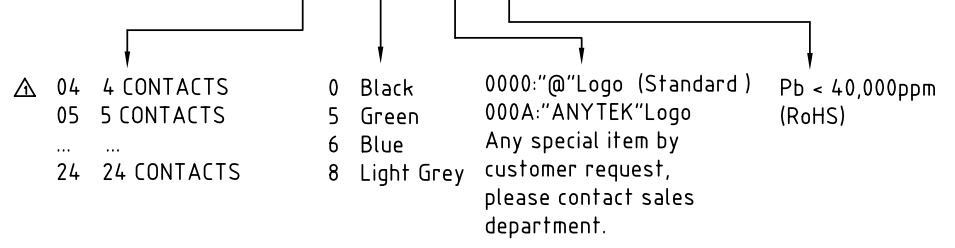
Material:

- Item 1 Terminal housing: Thermoplastic (UL 94V-0)
- Item 2 Clamp: Brass ,Ni plated
- Item 3 Wire guard solder pin: Brass ,Tin plated
- Item 4 Terminal screw: Steel Zinc plating"- "slot type

Electrical cULUS

- Voltage rating: 300VAC
- Current rating: 16A
- Wire range:
- Solid wire(AWG): 12-28
- Stranded wire(AWG): 12-28
- Torque: 3.5Lb-In
- Screw: M3
- Wire strip length: 6-7mm
- Withstanding Voltage: 1.6KV
- Operating temperature: -40°C to +115°C
- Soldering temperature: 250°C±10°C/5 Sec
- Safety Approval:

VI xx 21 x 5 xxxx G



ANYTEK

CUSTOMER COPY

ALL RIGHTS RESERVED. REPRODUCTION OR ISSUE TO THIRD PARTIES IN ANY FORM WHATSOEVER IS NOT PERMITTED WITHOUT WRITTEN AUTHORITY FROM THE PROPRIETOR. PROPERTY OF ANYTEK TECHNOLOGY CO., LTD

TITLE		VI 5.08 SERIES 4P-24P 180° wire inlet (without cover) Horizontal-solid block △													
PART NO.		VIxx21x5xxxxG		DWG NO.		8VI0302 △									
APPROVED	CHECKED	DESIGNED	DRAWN	CUST NO.		Tolerance									
		Aaron 2009.09.16	Aaron 2009.09.16			<table border="1" style="font-size: 0.8em;"> <tr><td>X.</td><td>±0.50</td></tr> <tr><td>X.X</td><td>±0.30</td></tr> <tr><td>X.XX</td><td>±0.10</td></tr> <tr><td>X°</td><td>±1°</td></tr> </table>		X.	±0.50	X.X	±0.30	X.XX	±0.10	X°	±1°
X.	±0.50														
X.X	±0.30														
X.XX	±0.10														
X°	±1°														
						UNIT: mm SCALE: NONE SHEET: 01/01 REV.: C									